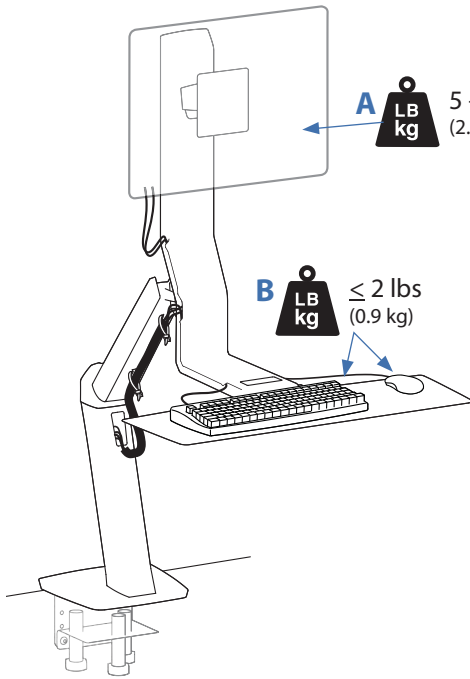
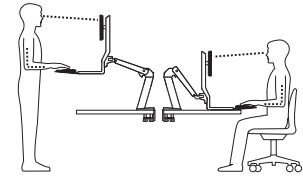
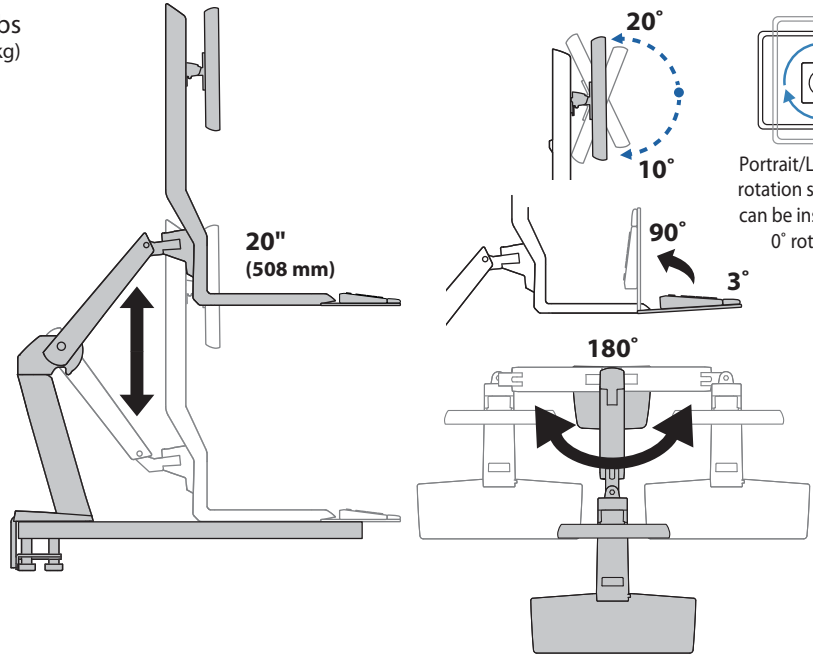


WorkFit-A, Single LCD Mount, LD

Weight Capacity

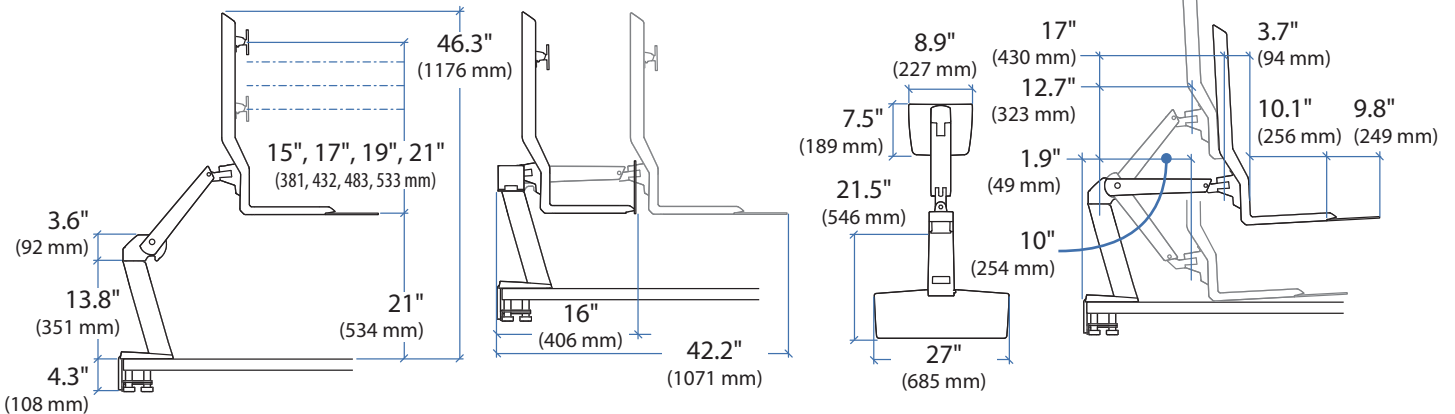


Range of Motion

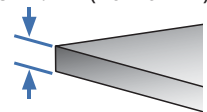


Portrait/Landscape rotation stop screw can be installed for 0° rotation.

Dimensions



Desk Thickness:
0.78"-2.77" (20-70mm)



© 2011 Ergotron, Inc. rev. 11/22/2011 DIM-WorkFit-A Content is subject to change without notification

Americas Sales and Corporate Headquarters

St. Paul, MN USA
(800) 888-8458
+1-651-681-7600
www.ergotron.com
sales@ergotron.com

EMEA Sales

Amersfoort, The Netherlands
+31 33 45 45 600
www.ergotron.com
info.eu@ergotron.com

APAC Sale

Tokyo, Japan
www.ergotron.com
apaccustomerservice@ergotron.com

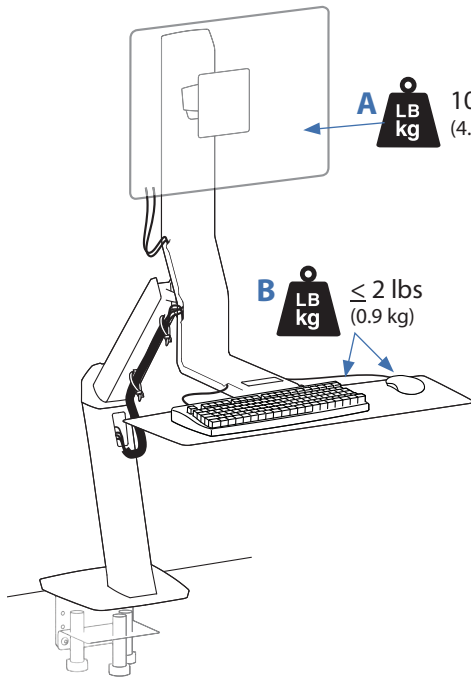
Worldwide OEM Sales

www.ergotron.com
info.oem@ergotron.com

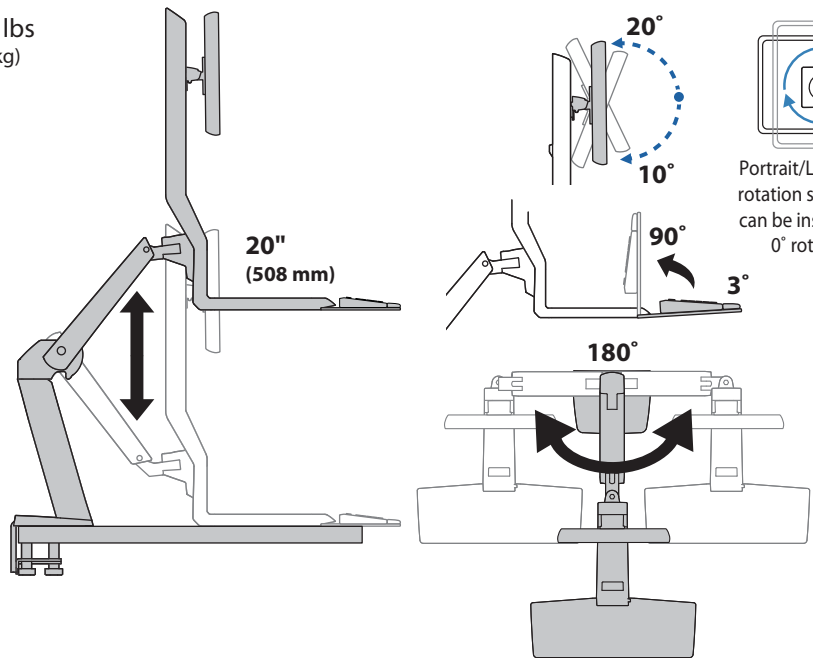


WorkFit-A, Single LCD Mount, HD

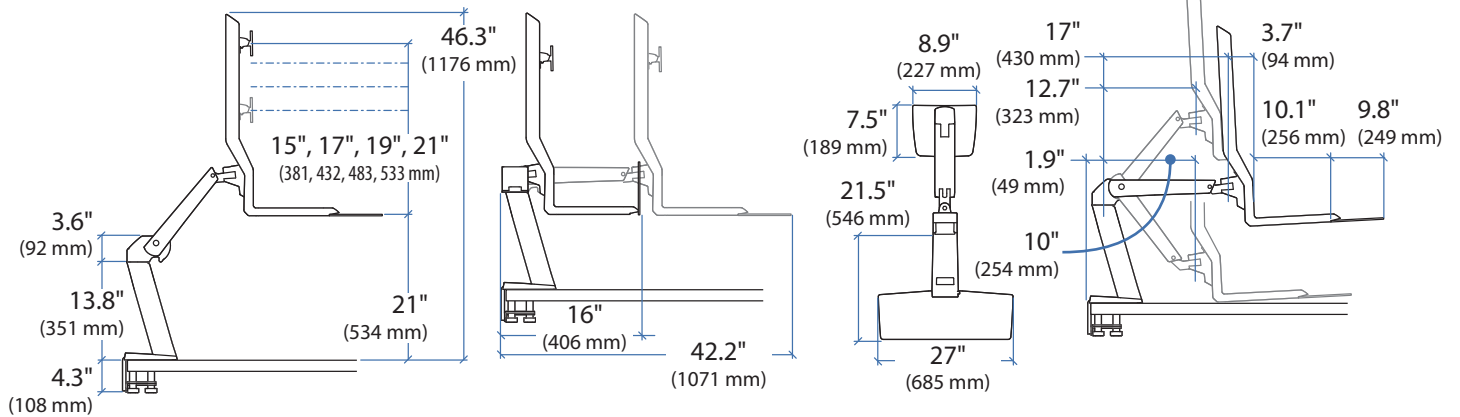
Weight Capacity



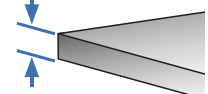
Range of Motion



Dimensions



Desk Thickness:
0.78"-2.77" (20-70mm)



© 2011 Ergotron, Inc. rev. 11/22/2011 DIM-WorkFit-A Content is subject to change without notification

Americas Sales and Corporate Headquarters

St. Paul, MN USA
(800) 888-8458
+1-651-681-7600
www.ergotron.com
sales@ergotron.com

EMEA Sales

Amersfoort, The Netherlands
+31 33 45 45 600
www.ergotron.com
info.eu@ergotron.com

APAC Sale

Tokyo, Japan
www.ergotron.com
apaccustomerservice@ergotron.com

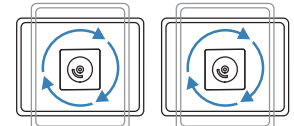
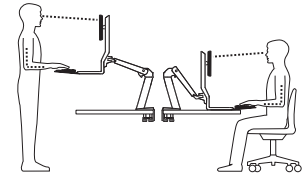
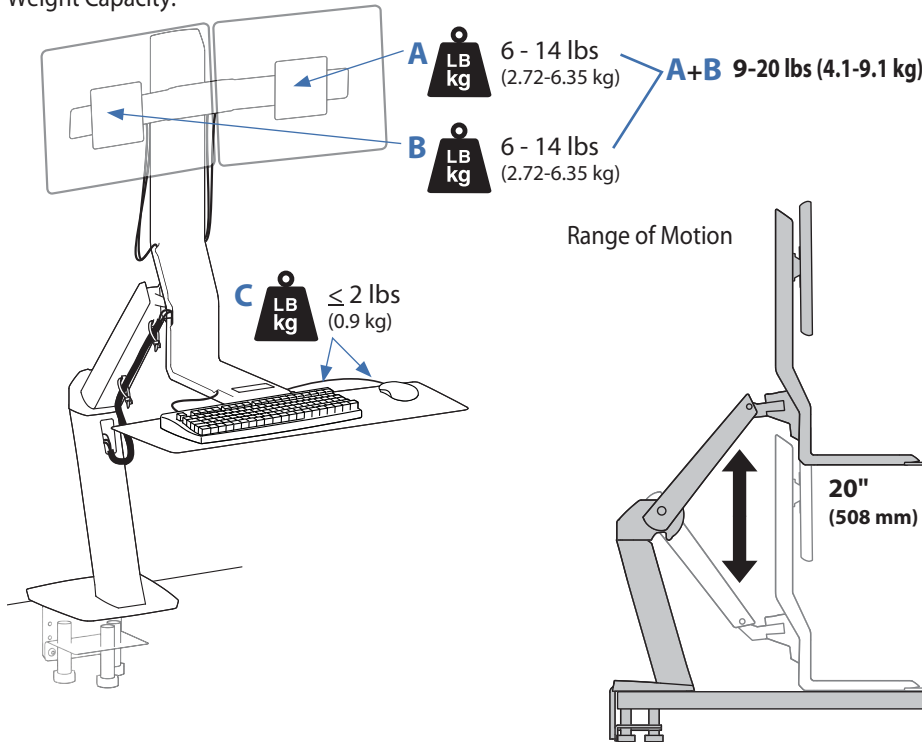
Worldwide OEM Sales

www.ergotron.com
info.oem@ergotron.com



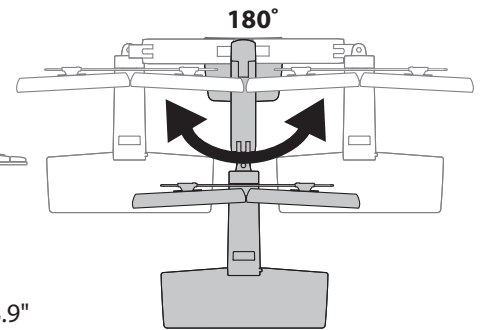
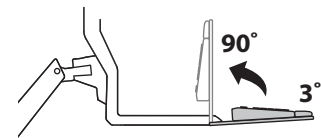
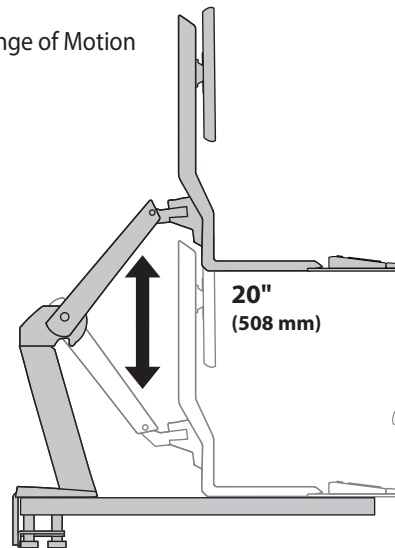
WorkFit-A, Dual

Weight Capacity:

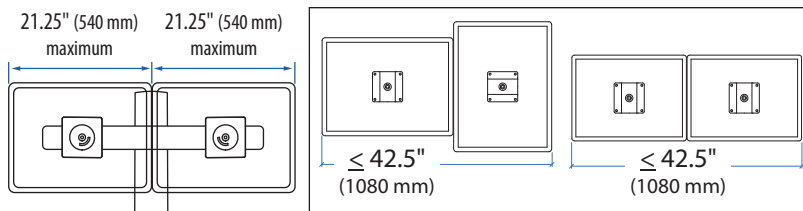
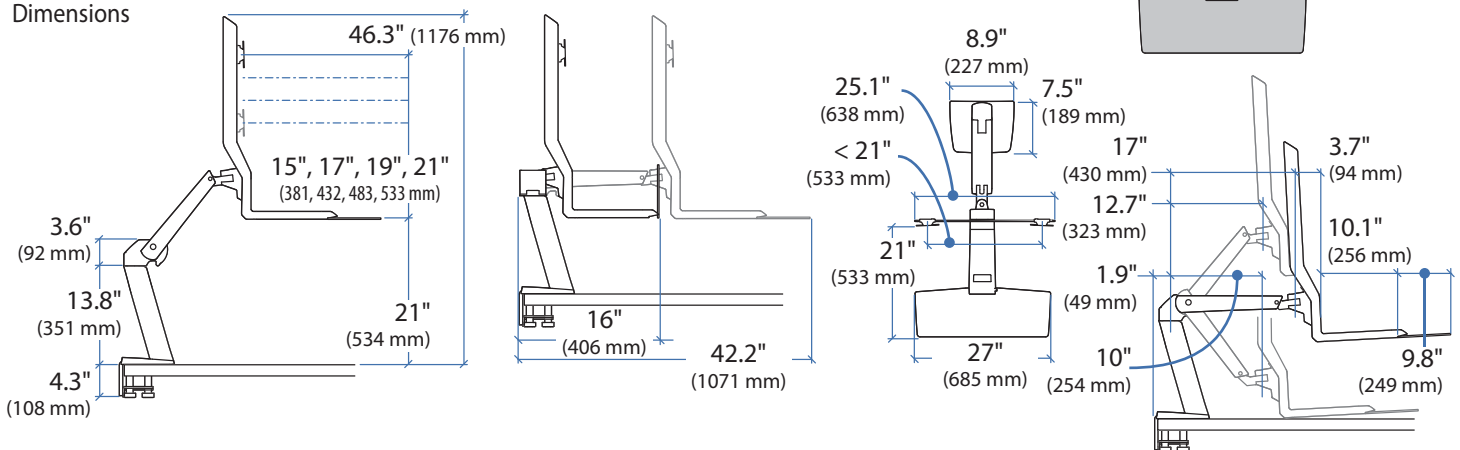


Portrait/Landscape rotation stop screw can be installed for 0° rotation.

Range of Motion



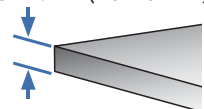
Dimensions



***Attention:** Listed allowable widths assume monitor thickness is 2" (51 mm). If monitor thickness is less, allowable width may be more. Contact Ergotron for details.

Desk Thickness:

0.78"-2.77" (20-70mm)



Americas Sales and Corporate Headquarters

St. Paul, MN USA
 (800) 888-8458
 +1-651-681-7600
 www.ergotron.com
 sales@ergotron.com

EMEA Sales

Amersfoort, The Netherlands
 +31 33 45 45 600
 www.ergotron.com
 info.eu@ergotron.com

APAC Sale

Tokyo, Japan
 www.ergotron.com
 apaccustomerservice@ergotron.com

Worldwide OEM Sales

www.ergotron.com
 info.oem@ergotron.com

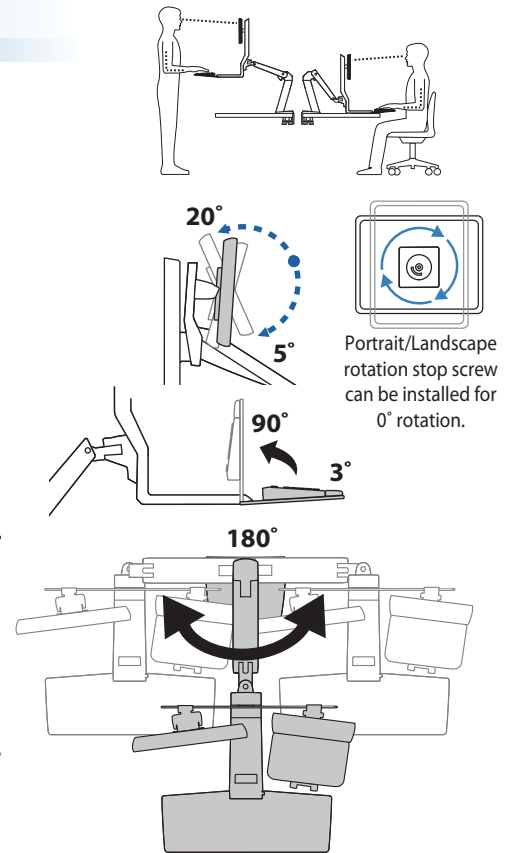
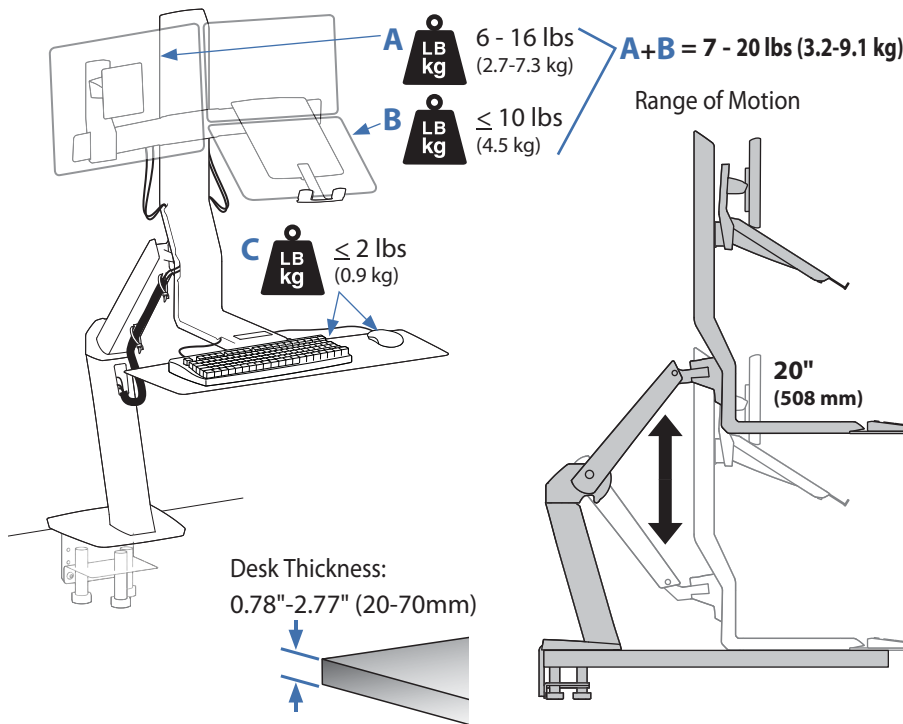


Ergotron®

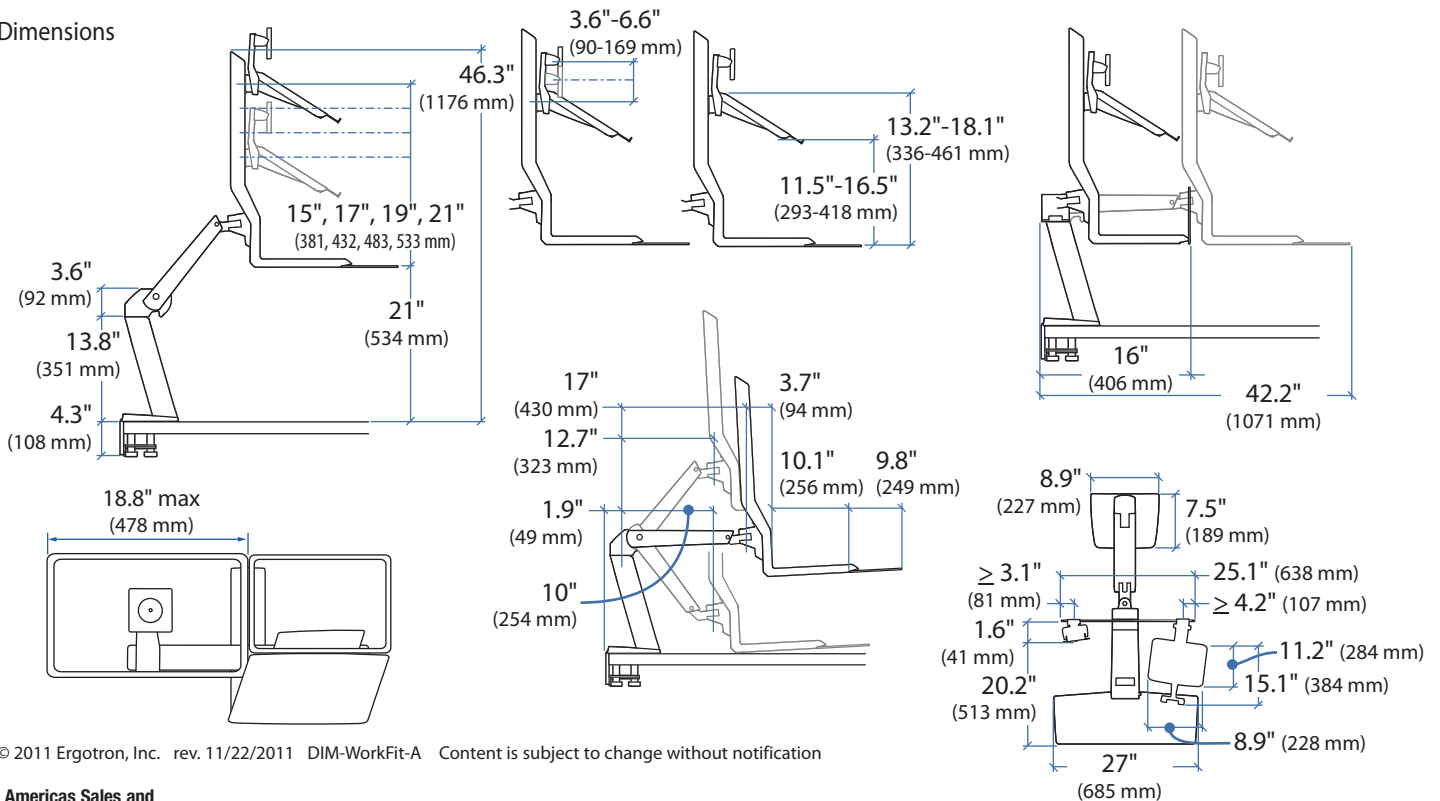
WorkFit-A, LCD & Laptop

Dimensional & Range of Motion Illustrations

Weight Capacity:



Dimensions



© 2011 Ergotron, Inc. rev. 11/22/2011 DIM-WorkFit-A Content is subject to change without notification

Americas Sales and Corporate Headquarters

St. Paul, MN USA
 (800) 888-8458
 +1-651-681-7600
 www.ergotron.com
 sales@ergotron.com

EMEA Sales

Amersfoort, The Netherlands
 +31 33 45 45 600
 www.ergotron.com
 info.eu@ergotron.com

APAC Sale

Tokyo, Japan
 www.ergotron.com
 apaccustomerservice@ergotron.com

Worldwide OEM Sales

www.ergotron.com
 info.oem@ergotron.com

