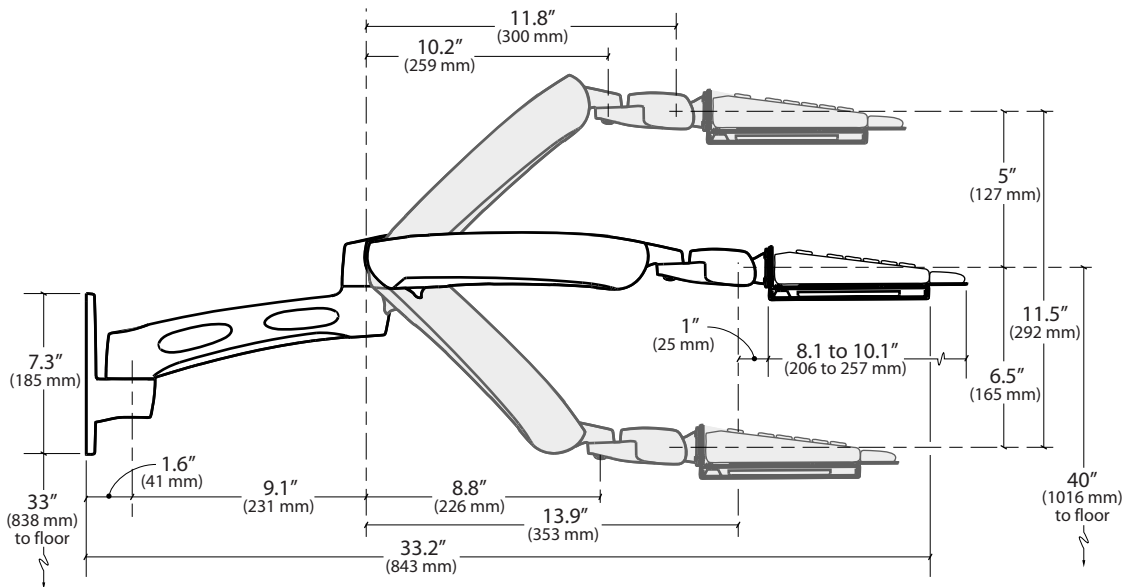
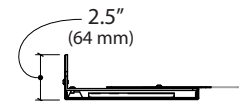
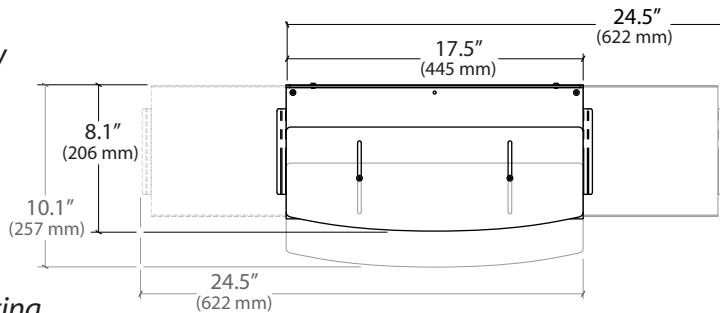


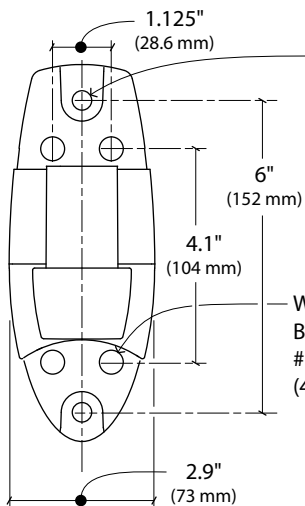
Wall Mount Keyboard Arm



Keyboard Tray

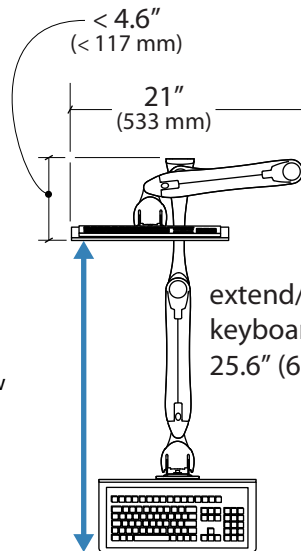


Wall Mounting Hole pattern



Stud mounting
M8 x 80mm or
5/16" x 3"
and flat washer
8mm or 5/16"
(2 places)

Wall Track mounting
Button head capscrew
#10 - 24 x 5/8"
(4 places)



extend/retract
keyboard
25.6" (650 mm)

