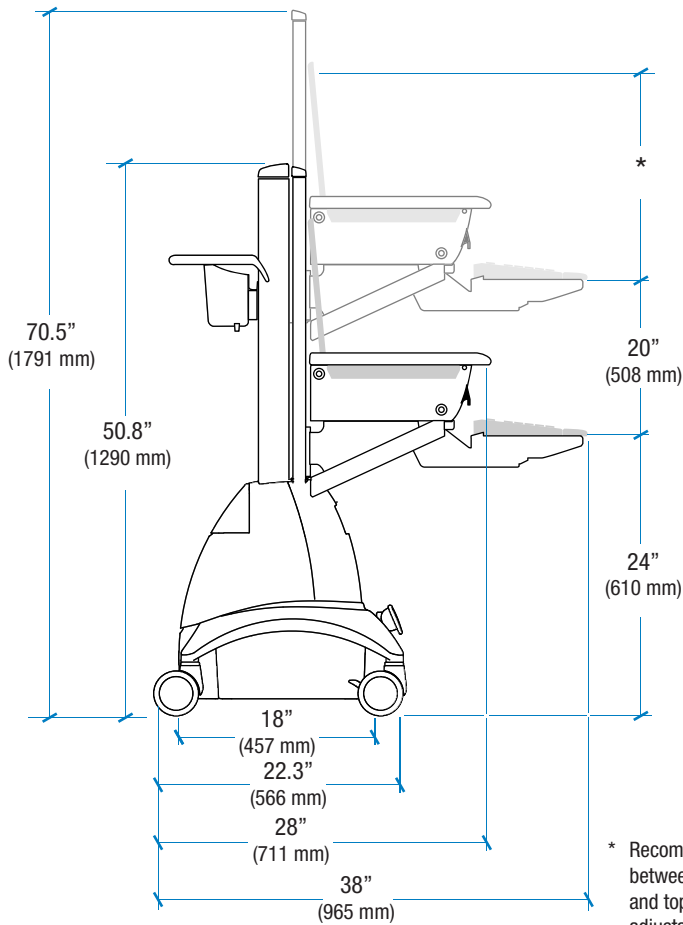


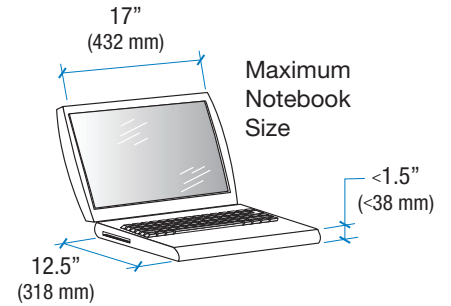
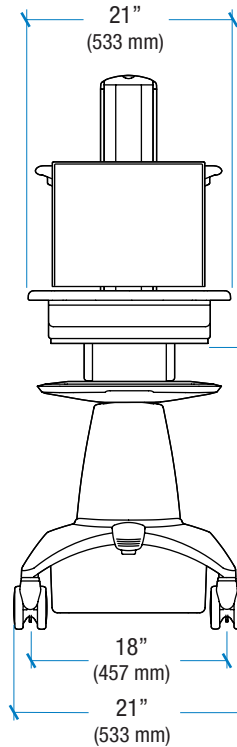
Ergotron® StyleView Cart

Notebook cart

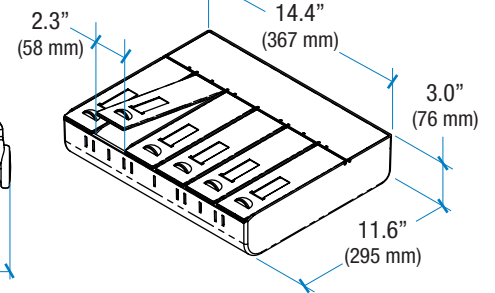
Side view



Front view

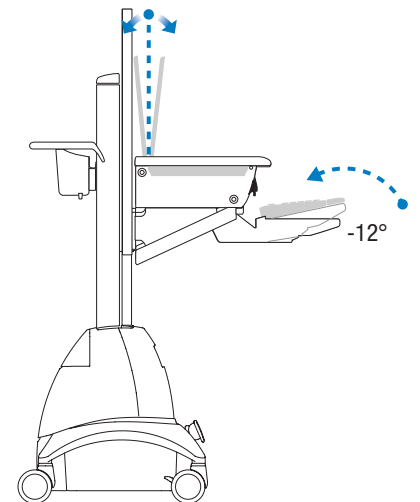
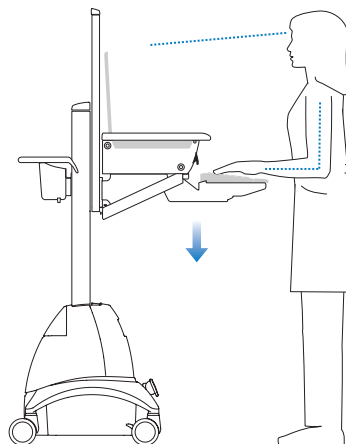
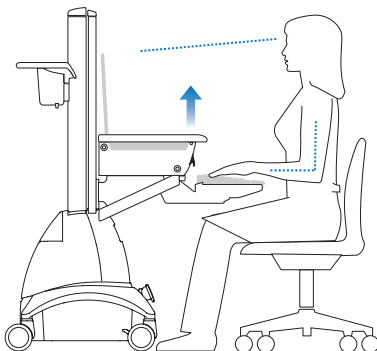


Tray Dimensions



* Recommended distance between top of keyboard tray and top of monitor screen is adjustable at time of installation

20" (508 mm) height adjustment
Monitor and Keyboard move as one unit



© 2007 Ergotron, Inc. rev. 04/19/2007 DIM-072-SVNB Content is subject to change without notification

Americas Sales and Corporate Headquarters

St. Paul, MN USA
(800) 888-8458
+1-651-681-7600
www.ergotron.com
sales@ergotron.com

EMEA Sales

Amersfoort, The Netherlands
+31 33 45 45 600
www.ergotron.com
info.eu@ergotron.com

APAC Sales

Singapore
www.ergotron.com
info.apac@ergotron.com

Worldwide OEM Sales

www.ergotron.com
info.oem@ergotron.com

