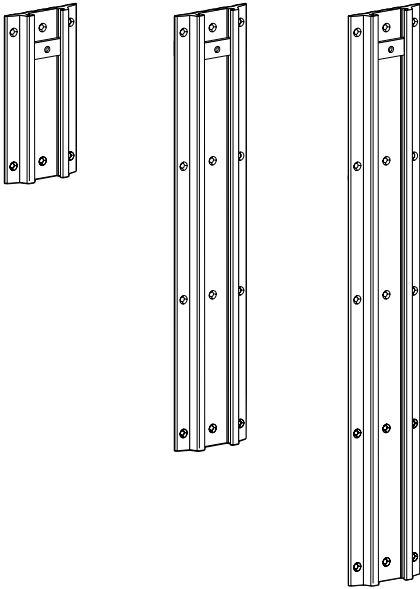


Wall Mounted Track OSHPD Mount or Standard Mount





WARNING: Ergotron Wall Mounted Track must be securely attached to your wall. Because wall construction varies widely and your ultimate mounting method is out of Ergotron's control, it is imperative that you consult with appropriate local engineering, architectural, or construction personnel to ensure that the track is mounted properly to handle applied loads.

OSHPD Tested Product Charts 2-5

California OSHPD Anchorage Overview 6

Method A
 Light Gauge Metal Stud Walls 7

Method B
 Wood Stud Walls 9

Method C
 Concrete Walls 11

Method D
 Grouted Hollow Unit Masonry 13

Standard Anchorage Instructions
(if OSHPD requirements do not apply) 15



6.22.04

Raafat S. Aboulhosn
Structural Engineer S3913

Office of Statewide Health Planning and Development

OPA-0620 Approved, 04/28/04

Fixed Equipment Anchorage * Valid for 3 Years Maximum




John Gillengerten 916-654-3547

California OSHPD Tested Products

Pre-approval Number OPA-0620

In compliance with standards established for the anchorage and installation of instrument support systems by the California Office of Statewide Health Planning and Development (OSHPD), Ergotron, Inc. has obtained pre-approval for four Wall Track mounting methods. These mounting methods are limited to use with the components listed (see Charts A-H) on the following types of walls:

- A. Light Gauge Metal Stud Walls (24 gauge minimum)
- B. Wood Stud Walls (#2 Hem Fir, Douglas Fir or better)
- C. Concrete Walls
- D. Grouted Hollow Unit Masonry

The Engineer of Record must verify the wall design using the forces specified in CBC Section 1632A, using $A_p=2.5$ and $R_p=3.0$ for the forces due to the component, combined with the lateral force of the wall itself, computed using the weight of the wall with $A_p=1.0$ and $R_p=3.0$. Most instrumentation weighs well below the maximum load ratings. It is impractical to attempt to meet specific load requirements based on given weights of various instruments and the potential for changing instruments. Consequently, all installations must meet the maximum load ratings. The design of the wall studs is by the engineer of record. Inspection of the anchorage by OSHPD is required prior to the installation of the mount system. **Compliance with these written instructions is required for the installation of the system- see pages 6-14. (NOTE: Standard, non-OSHPD instructions begin on page 15.)**

CHART A - Ergotron Wall Track Fasteners Required

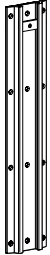
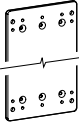
	Part No.	Wall track length	Fasteners are supplied by Customer	
			Quantity	Type
	31-016	10" (254 mm)	4	1/4-20 x 1/2"
	31-017	26" (660 mm)	8	1/4-20 x 1/2"
	31-018	34" (864 mm)	10	1/4-20 x 1/2"
	31-019	50" (1270 mm)	14	1/4-20 x 1/2"

CHART B - Ergotron Wall Mount Bracket Fasteners Required

(applies to Concrete and Wood only, for Metal Stud Application refer to Chart C)

	Part No.	Wall track length	Quantity fasteners required (customer supplied)	
			To Concrete	To Wood
	97-208	10" (254 mm)	4	6
	97-209	26" (660 mm)	8	12
	97-210	34" (864 mm)	10	15
	97-211	50" (1270 mm)	14	21



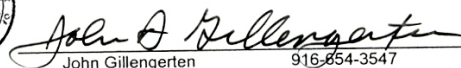
Raafat S. Aboulhosen
Structural Engineer S3913

Office of Statewide Health Planning and Development

OPA-0620 Approved, 04/28/04

Fixed Equipment Anchorage * Valid for 3 Years Maximum




John Gillengerten 916-854-3547

California OSHPD Tested Products

CHART C - Ergotron Metal Stud Wall Kit (Ordered Separately)

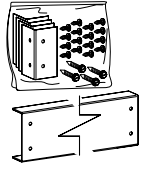
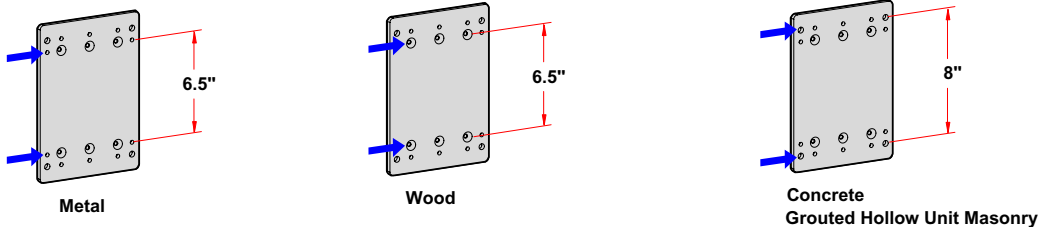
	Part No.	Wall track length	Quantity Cross Members	Quantity Angle Brackets	#12-14x2" Screws (To Plate)	#12-14x3/4" Screws (To Angle)
	97-212	10" (254 mm)	2	4	4	20
	97-213	26" (660 mm)	4	8	8	40
	97-214	34" (864 mm)	5	10	10	50
	97-215	50" (1270 mm)	7	14	14	70

CHART D - Mounting Hole Pattern - Ergotron Wall Mount Bracket for OSHPD

				
Part No.	Bracket length & number of hole sets	Distance between mounting holes:		
		Light gauge metal stud walls	Wood stud walls	Concrete or Grouted hollow unit masonry walls
97-208 10" (254 mm)	1st set	6.5" (165mm)	6.5"(165mm)	8" (203mm)
97-209 26" (660 mm)	1st set	8" (203mm)	8" (203mm)	8" (203mm)
	2nd set	8" (203mm)	8" (203mm)	
	3rd set	6.5" (165mm)	6.5"(165mm)	
97-210 34" (864 mm)	1st set	8" (203mm)	8" (203mm)	8" (203mm)
	2nd set	8" (203mm)	8" (203mm)	
	3rd set	8" (203mm)	8" (203mm)	
	4th set	6.5" (165mm)	6.5"(165mm)	
97-211 50" (1270 mm)	1st set	8" (203mm)	8" (203mm)	8" (203mm)
	2nd set	8" (203mm)	8" (203mm)	
	3rd set	8" (203mm)	8" (203mm)	
	4th set	8" (203mm)	8" (203mm)	
	5th set	8" (203mm)	8" (203mm)	
	6th set	6.5" (165mm)	6.5"(165mm)	



6.22.04

Raafat S. Aboulhosn
Structural Engineer S3913

Office of Statewide Health Planning and Development

OPA-0620 Approved, 04/28/04

Fixed Equipment Anchorage * Valid for 3 Years Maximum



John Gillengerten
John Gillengerten 916-654-3547

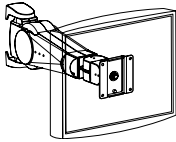
California OSHPD Tested Products

CHART E - Ergotron CPU Holders

Part No.	Description	Center of Gravity		Maximum Load	
		Height	Depth	Weight	Weight
80-053	CPU Holder, Extra Small	1.42"	36.1mm	40 lb	18.1 kg
80-058	CPU Holder, Medium	4.09"	103.9mm	75 lb	34 kg
80-059	CPU Holder, Large	5.76"	146.3mm	75 lb	34 kg
80-063	CPU Holder, Small	2.20"	55.9mm	50 lb	22.7 kg

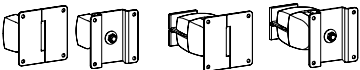
CHART F - Ergotron 400 Series Arms

NOTE: Not all part numbers are illustrated.



Part No.	Description	Center of Gravity		Maximum Load	
		Height	Depth	Weight	Weight
45-003	Fixed, Single Pivot	13.64"	346.5mm	28 lb	12.7 kg
45-005	Fixed, Keyboard/Laptop Pivot	8.44"	214.4mm	7.5 lb	3.4 kg
45-006	Rotate, Keyboard/Laptop Pivot	13.96"	354.6mm	7.5 lb	3.4 kg
45-007	Rotate, Double Pivot with Portrait/Landscape	17.23"	437.6mm	23 lb	10.4 kg
45-029	Rotate, combo Flat Panel/Keyboard Arm	9.43"	239.5mm	27.5 lb	12.5 kg
45-032	Fixed, combo Flat Panel/Keyboard Arm	7.90"	200.7mm	27.5 lb	12.5 kg

CHART G - Ergotron 100 Series Pivots



Part No.	Description	Center of Gravity		Maximum Load	
		Height	Depth	Weight	Weight
47-001	Single Pivot	3.88"	98.6mm	28 lb	12.7 kg
47-007	Double Pivot with Portrait/Landscape	6.75"	171.5mm	23 lb	10.4 kg
47-011	Single Pivot with Portrait/Landscape	4.53"	115.1mm	25 lb	11.3 kg
47-012	Double Pivot	5.97"	151.6mm	25 lb	11.3 kg



6.22.04

Raafat S. Aboulhosn
Structural Engineer S3913

Office of Statewide Health Planning and Development

OPA-0620 Approved, 04/28/04
Fixed Equipment Anchorage • Valid for 3 Years Maximum

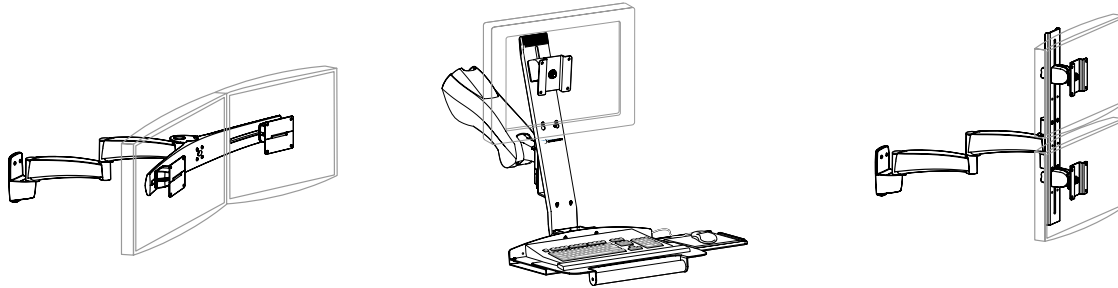


John Gillengerten
John Gillengerten 916-654-3547

California OSHPD Tested Products

CHART H - Ergotron 200 & 300 Configurations

NOTE: Not all part numbers are illustrated.



Part No.	Description	Center of Gravity		Maximum Load	
28-106	Single Pivot with Portrait/Landscape	7.43"	188.7mm	25 lbs.	11.3 kg
28-108	9" Extension, Single Pivot with Portrait/Landscape	14.98"	380.5mm	25 lbs.	11.3 kg
28-096	Two 9" Extensions, Single Pivot with Portrait/Landscape	21.89"	556.0mm	25 lbs.	11.3 kg
28-144	Two 9" Extensions, Vertical Bar, Two Single Pivots with Portrait/Landscape	22.13"	562.1mm	28 lbs.	12.7 kg
28-147	Two 9" Extensions, Horizontal Dual-Monitor 28" Crossbar, Two Sliding Pivots	23.77"	603.8mm	26 lbs.	11.8 kg
28-153	Two 9" Extensions, 6" Vertical Slide Pivot with Portrait/Landscape	21.89"	556.0mm	25 lbs.	11.3 kg
28-170	Vertical Mount, Double Pivot with Portrait/Landscape Arm and 9" Extensions	34.30"	871.2mm	23 lbs.	10.4 kg
28-177	Two 9" Extensions, Keyboard/Laptop Pivot	21.68"	550.7mm	7.5 lbs	3.4 kg
28-185	6" Vertical Slide Pivot with Portrait/Landscape	7.26"	184.4mm	25 lbs.	11.3 kg
28-188	Two 9" Extensions, Combo Bracket, Single Pivot with Portrait/Landscape, Keyboard Pivot, Keyboard/Mouse Tray	25.33"	643.3mm	40 lbs.	18.1 kg
28-274	HD Pivot, Vertical Mount	6.74"	171.2mm	48 lbs.	21.8 kg
28-275	HD Dual-Monitor Arm	18.47"	469.1mm	40 lbs.	18.1 kg
44-371	HD 45 Arm	19.98"	507.5mm	48 lbs.	21.8 kg
44-373	HD Combo Arm, Keyboard Tray with Sliding Mouse Tray	21.44"	544.6mm	40 lbs.	18.1 kg
44-389	HD Laptop Arm, Security Shroud	20.02"	508.5mm	20 lbs.	9 kg
45-087	Vertical Mount, Double Pivot with Portrait/Landscape Arm	15.79"	401.1mm	23 lbs.	10.4 kg
45-099	Vertical Mount, Keyboard/Laptop Pivot Arm	13.96"	354.6mm	7.5 lbs	3.4 kg



Raafat S. Aboulhosn
Structural Engineer S3913

Office of Statewide Health Planning and Development

OPA-0620 Approved, 04/28/04

Fixed Equipment Anchorage * Valid for 3 Years Maximum



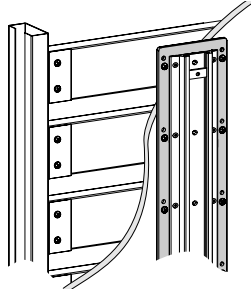
John D. Gillengarten
John Gillengarten 916-654-3547

California OSHPD Anchorage - Installation Overview

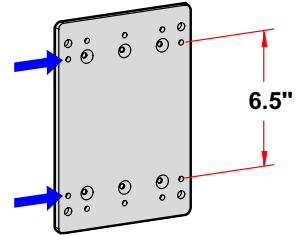


WARNING: Follow these instructions to ensure that the Ergotron Wall Track is mounted according to standards established by OSHPD to handle applied loads. Failure to comply with standards established by OSHPD may result in property damage and personal injury.

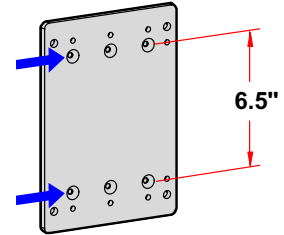
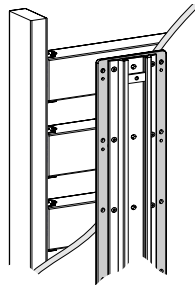
METHOD A LIGHT GAUGE METAL STUD WALLS



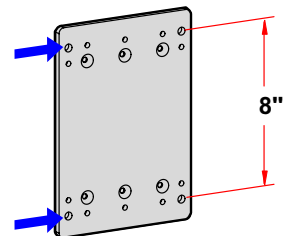
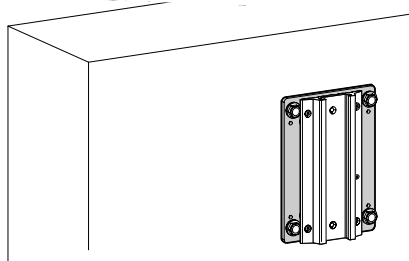
Ergotron Wall Mount Bracket Mounting Hole Pattern (see Chart D, page 3 for all lengths)



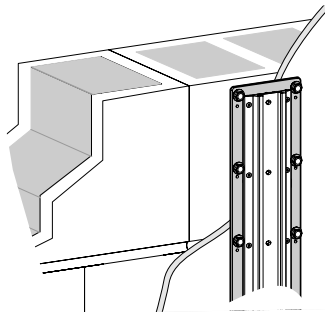
METHOD B WOOD STUD WALLS



METHOD C CONCRETE WALLS



METHOD D GROUTED HOLLOW UNIT MASONRY



6.22.04 / 1/04

Raafat S. Aboulhosn
Structural Engineer S3913

Office of Statewide Health Planning and Development

OPA-0620 Approved, 04/28/04

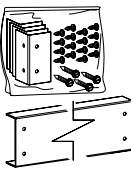
Fixed Equipment Anchorage * Valid for 3 Years Maximum



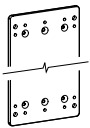
John Gillengarten
John Gillengarten 916-654-3547

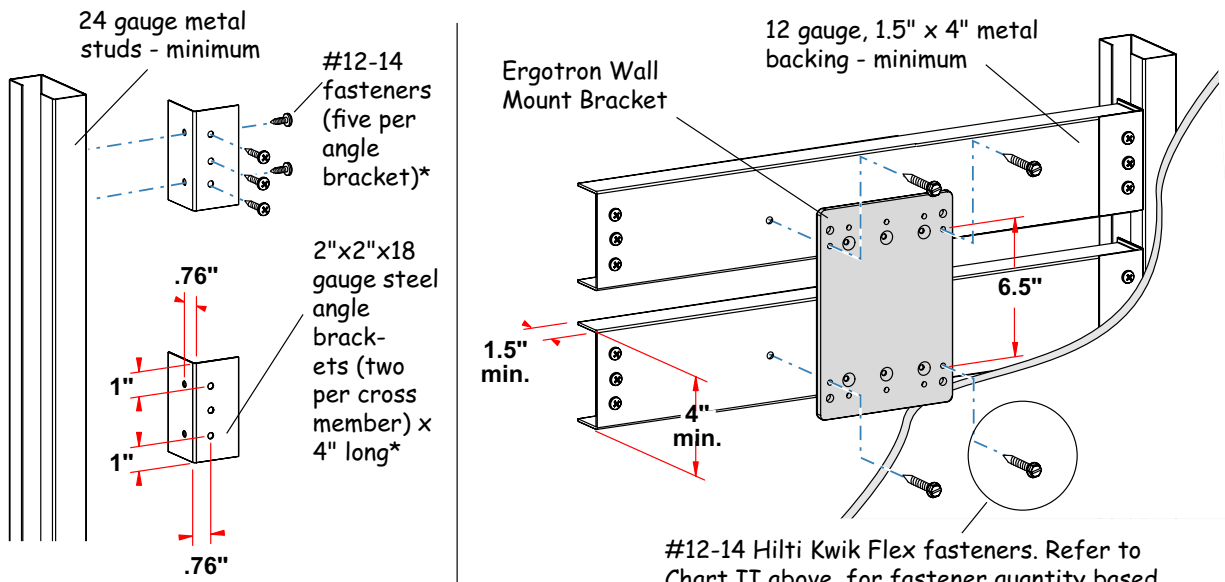
OSHPD METHOD A LIGHT GAUGE METAL STUD WALLS

FASTENER CHART I - Metal Stud Wall Components

	Part No.	Wall track length	Quantity Cross Members provided	Quantity Angle Brackets provided	Quantity #12-14x3/4" Screws provided
	97-212	10" (254 mm)	2	4	20
97-213	26" (660 mm)	4	8	40	
97-214	34" (864 mm)	5	10	50	
97-215	50" (1270 mm)	7	14	70	

FASTENER CHART II - Ergotron Wall Mount Bracket to Metal Stud Walls

	Part No.	Wall track length	Quantity #12-14x2" Screws provided
	97-208	10" (254 mm)	4
97-209	26" (660 mm)	8	
97-210	34" (864 mm)	10	
97-211	50" (1270 mm)	14	



* Refer to Chart I above, for fastener quantity based on wall track length.

#12-14 Hilti Kwik Flex fasteners. Refer to Chart II above, for fastener quantity based on wall track length. NOTE: Screws are to be placed in the vertical center of the backing.



6.22.04

Raafat S. Aboulhosn
Structural Engineer S3913

Office of Statewide Health Planning and Development

OPA-0620 Approved, 04/28/04

Fixed Equipment Anchorage * Valid for 3 Years Maximum

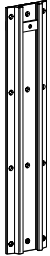


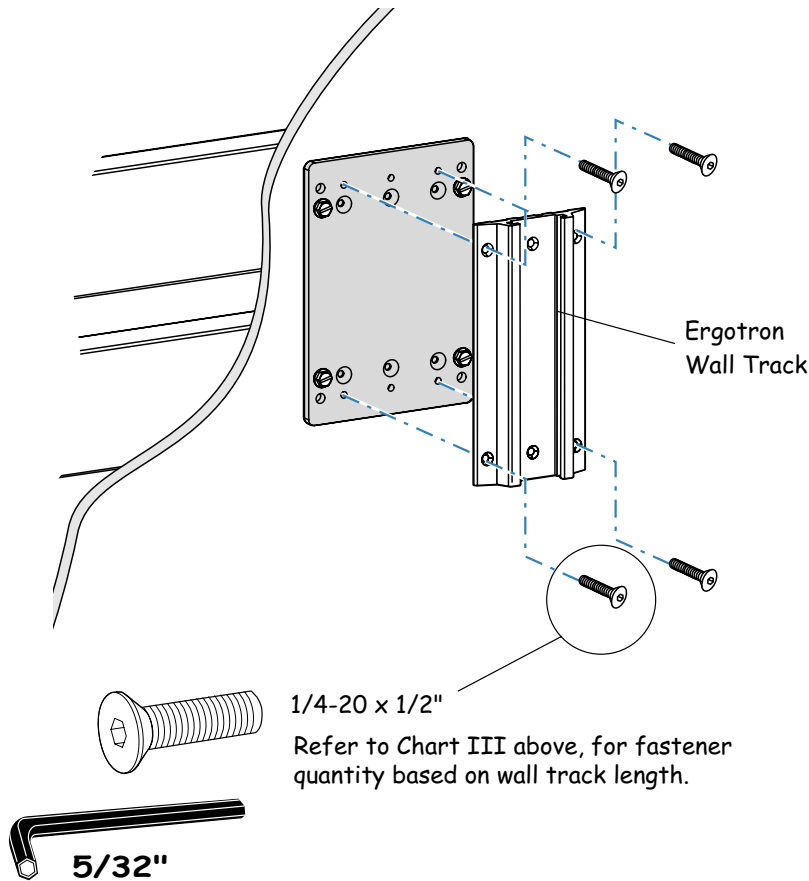
John Gillengerten
John Gillengerten 916-654-3547

OSHPD METHOD A

LIGHT GAUGE METAL STUD WALLS

FASTENER CHART III - Ergotron Wall Track to Ergotron Wall Mount Bracket

	Part No.	Wall track length	Quantity 1/4-20 x 1/2" screws provided
	31-016	10" (254 mm)	4
31-017	26" (660 mm)	8	
31-018	34" (864 mm)	10	
31-019	50" (1270 mm)	14	




 6.22.04
 Raafat S. Aboulhosn
 Structural Engineer S3913

Office of Statewide Health Planning and Development

OPA-0620 Approved, 04/28/04

Fixed Equipment Anchorage * Valid for 3 Years Maximum

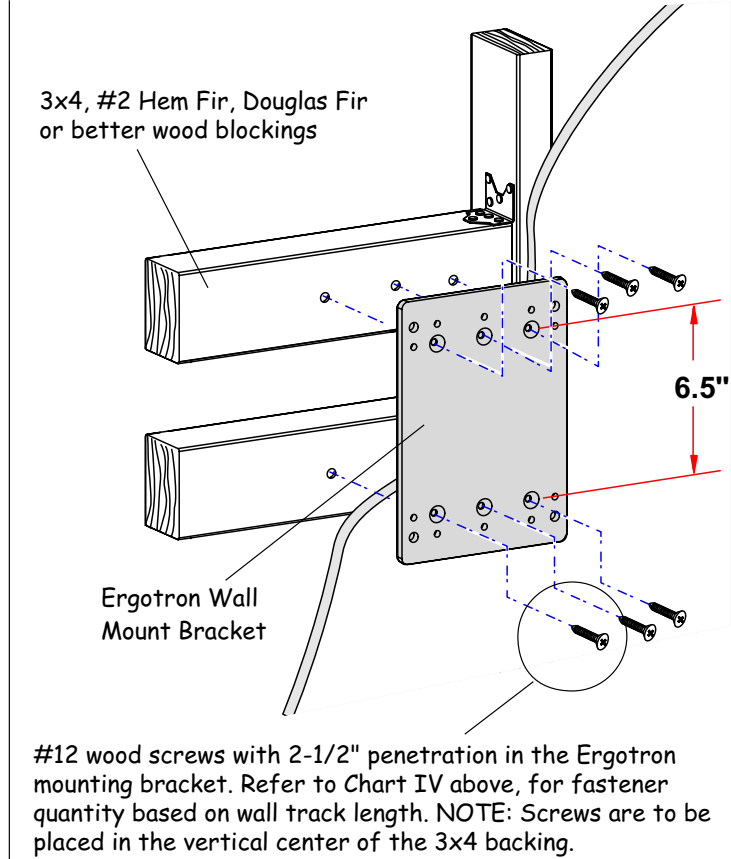
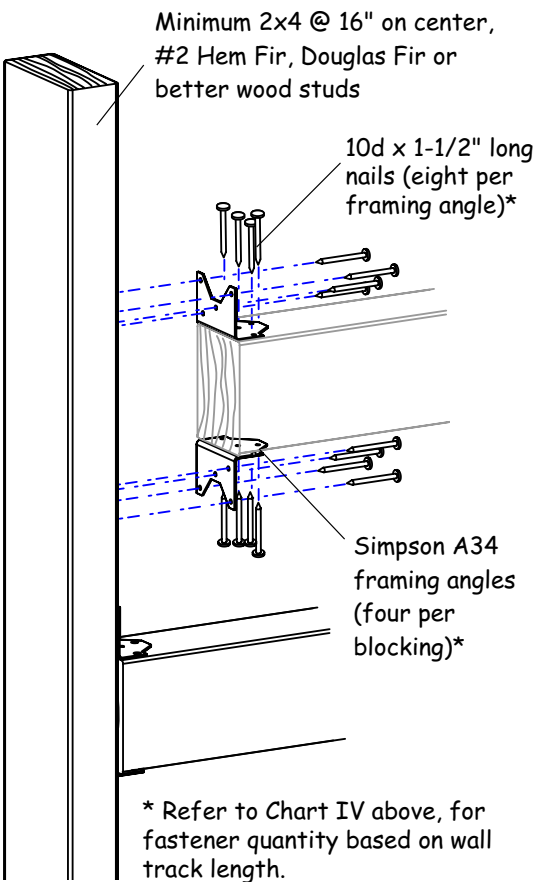



 John Gillengerten 916-454-3547

OSHPD METHOD B WOOD STUD WALLS

FASTENER CHART IV - Ergotron Wall Mount Bracket to Wood Stud Wall

Part No.	Wall track length	These components are supplied by customer		
		Quantity #12 wood screws required (with 2-1/2" penetration)	Quantity Simpson A34 framing angles (or equivalent) required	Quantity 10d x 1-1/2" nails required
97-208	10" (254 mm)	6	8	64
97-209	26" (660 mm)	12	16	128
97-210	34" (864 mm)	15	20	160
97-211	50" (1270 mm)	21	28	224



6.22.04
Raafat S. Aboulhosen
Structural Engineer S3913

Office of Statewide Health Planning and Development

OPA-0620 Approved, 04/28/04

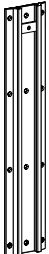
Fixed Equipment Anchorage * Valid for 3 Years Maximum

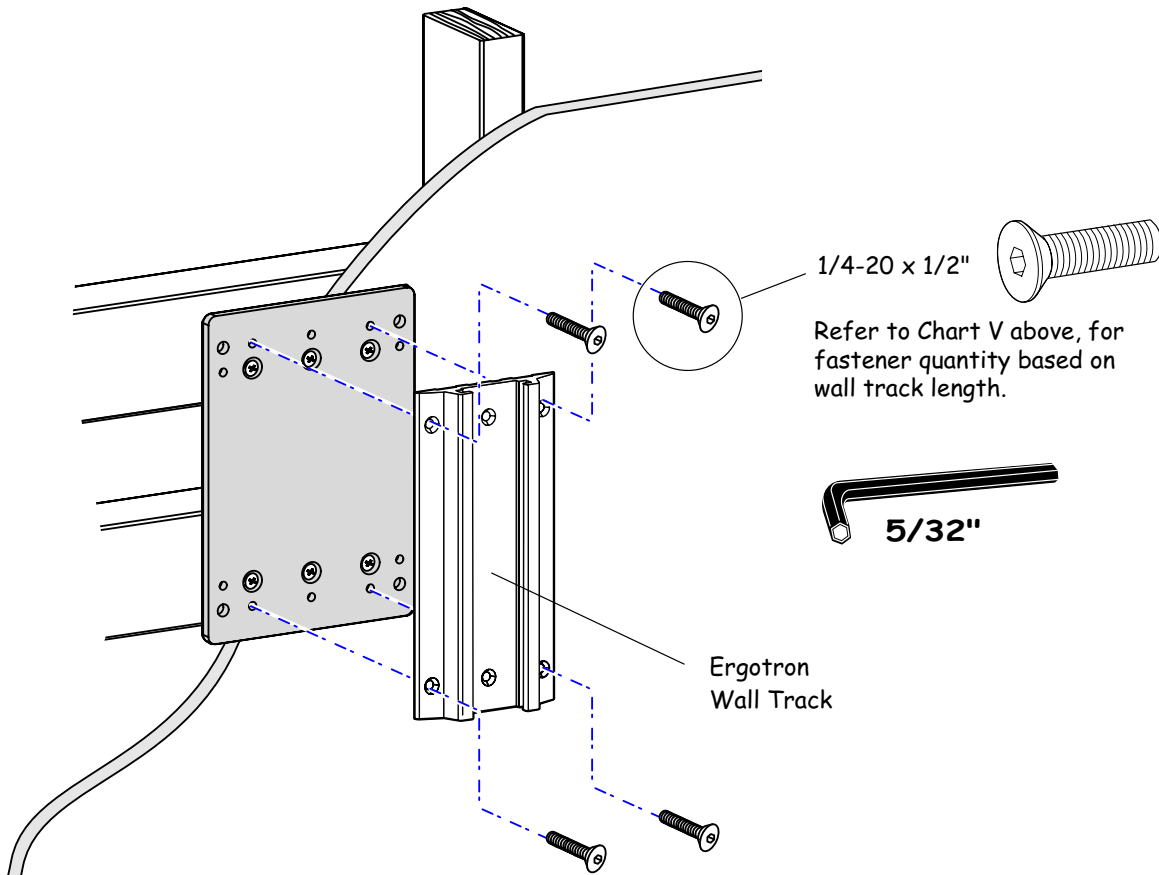


John Gillengerten
John Gillengerten 916-654-3547

OSHDP METHOD B WOOD STUD WALLS

FASTENER CHART V - Ergotron Wall Track to Ergotron Wall Mount Bracket

	Part No.	Wall track length	Quantity 1/4-20 x 1/2" screws provided
	31-016	10" (254 mm)	4
31-017	26" (660 mm)	8	
31-018	34" (864 mm)	10	
31-019	50" (1270 mm)	14	



6-22-04

Raafat S. Aboulhosn
Structural Engineer S3913

Office of Statewide Health Planning and Development

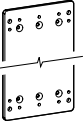
OPA-0620 Approved, 04/28/04

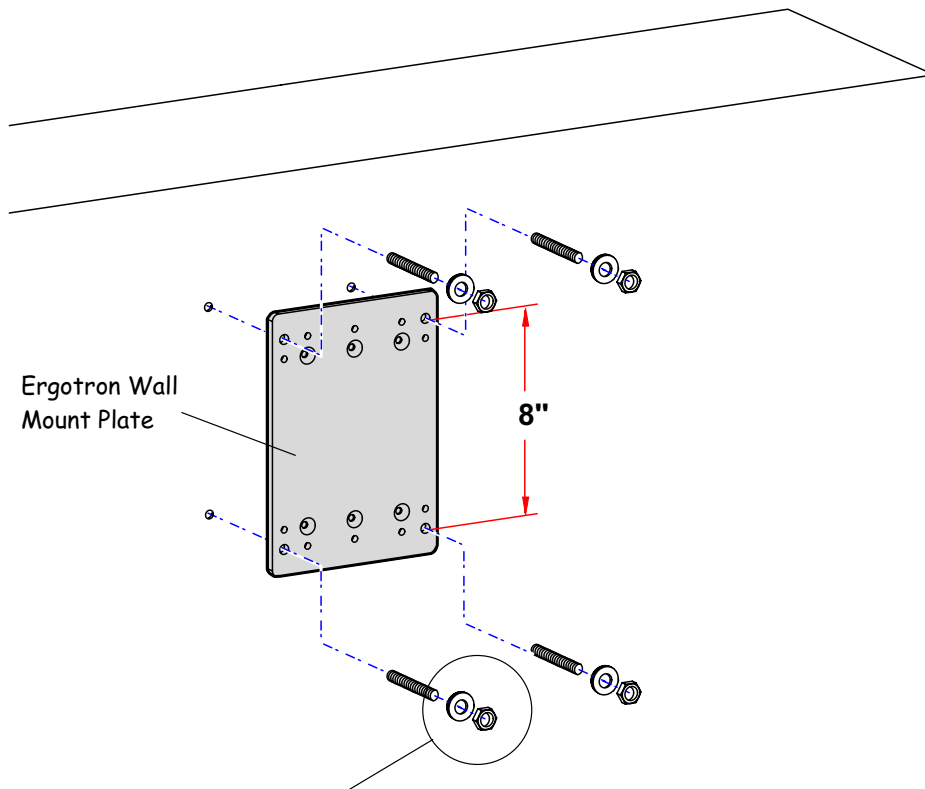
Fixed Equipment Anchorage * Valid for 3 Years Maximum



John A. Gillengerten
John Gillengerten 916-684-3547

FASTENER CHART VI - Ergotron Wall Mount Bracket to Concrete Wall

			These fasteners are supplied by customer
			Quantity required Hilti Hit Hy 150 injection adhesive anchor, 3/8" diameter x 1-3/4" embedded
	Part No.	Wall track length	
	97-208	10" (254 mm)	4
	97-209	26" (660 mm)	8
97-210	34" (864 mm)	10	
97-211	50" (1270 mm)	14	



Hilti Hit Hy 150 injection adhesive anchor, 3/8" diameter x 1-3/4" embedded (Test to 2000 lbs.)
Refer to Chart VI above, for fastener quantity based on wall track length.
NOTE: Special inspection is required for all bolt installation.



6.22.04

Raafat S. Aboulhosn
Structural Engineer S3913

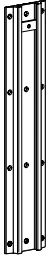


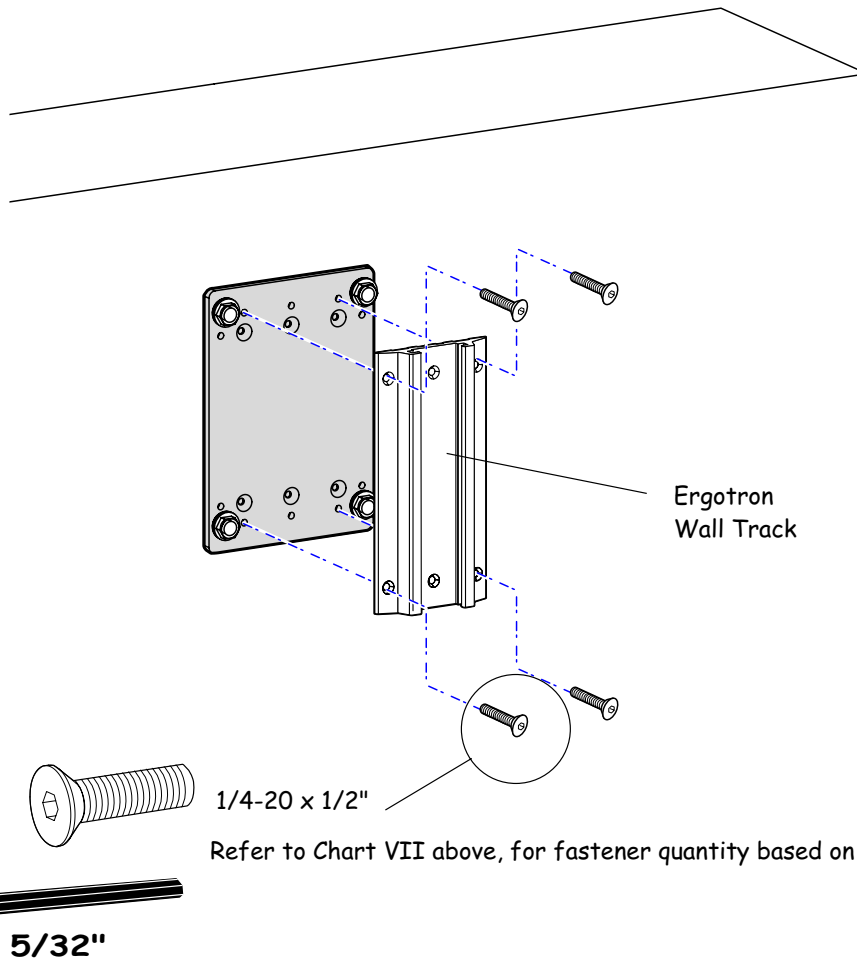
Office of Statewide Health Planning and Development

OPA-0620 Approved, 04/28/04
Fixed Equipment Anchorage * Valid for 3 Years Maximum

John D. Gillengerten
John Gillengerten 916-654-3547

FASTENER CHART VII - Ergotron Wall Track to Ergotron Wall Mount Bracket

	Part No.	Wall track length	Quantity 1/4-20 x 1/2" screws provided
	31-016	10" (254 mm)	4
31-017	26" (660 mm)	8	
31-018	34" (864 mm)	10	
31-019	50" (1270 mm)	14	



6-22-04

REGISTERED PROFESSIONAL ENGINEER
 RAAFAT S. ABOULHOSN
 No. S3913
 Exp. 12-31-05
 STRUCTURAL
 STATE OF CALIFORNIA

Raafat S. Aboulhosn
 Structural Engineer S3913

Office of Statewide Health Planning and Development

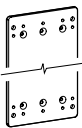
OPA-0620 Approved, 04/28/04
 Fixed Equipment Anchorage * Valid for 3 Years Maximum

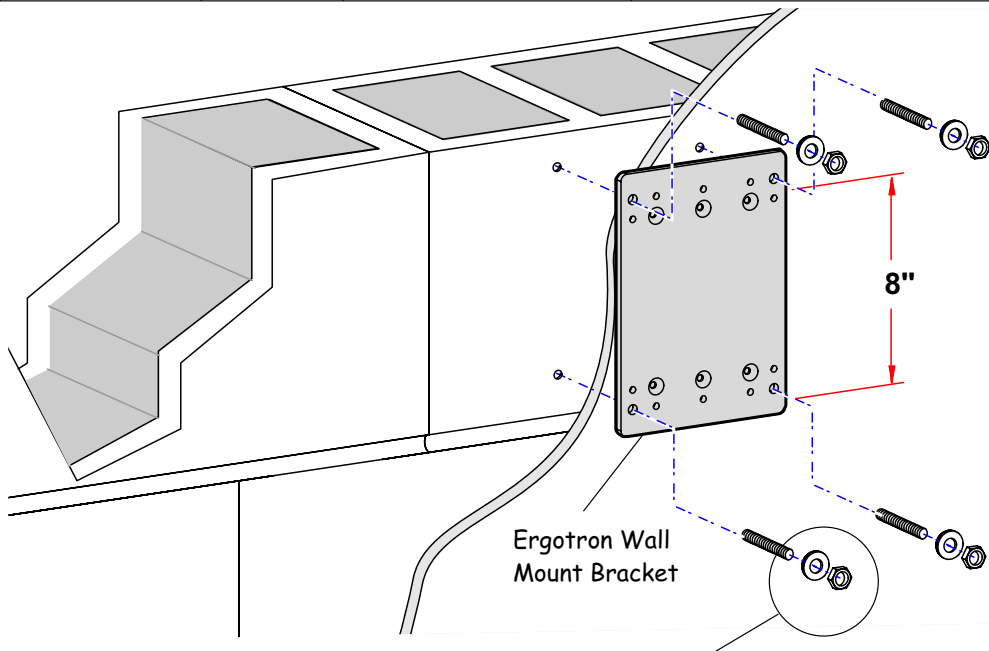


John D. Gillengerten
 John Gillengerten 916-654-3547

OSHPD METHOD D GROUTED HOLLOW UNIT MASONRY

FASTENER CHART VIII - Ergotron Wall Mount Bracket to Grouted Hollow Unit Masonry

			These fasteners are supplied by customer Quantity required Hilti Hit Hy 150 injection adhesive anchor, 3/8" diameter Bolt with 3-1/2" embedded
	Part No.	Wall track length	
	97-208	10" (254 mm)	4
	97-209	26" (660 mm)	8
	97-210	34" (864 mm)	10
97-211	50" (1270 mm)	14	



Hilti Hit Hy 150 injection adhesive anchor, 3/8" diameter Bolt with 3-1/2" embedded. (Test to 2000 lbs.) Refer to Chart VIII above for fastener quantity based on wall track length.
 NOTE: Special inspection is required for all bolt installation.



WARNING: When attaching wall plate to the block, bolts must pass thru concrete block - not the mortar bed between the blocks! When attaching to Grouted Hollow Unit Masonry, only one bolt per cell allowed.



6.22.04
 Raafat S. Aboulhosn
 Structural Engineer S3913


Office of Statewide Health Planning and Development

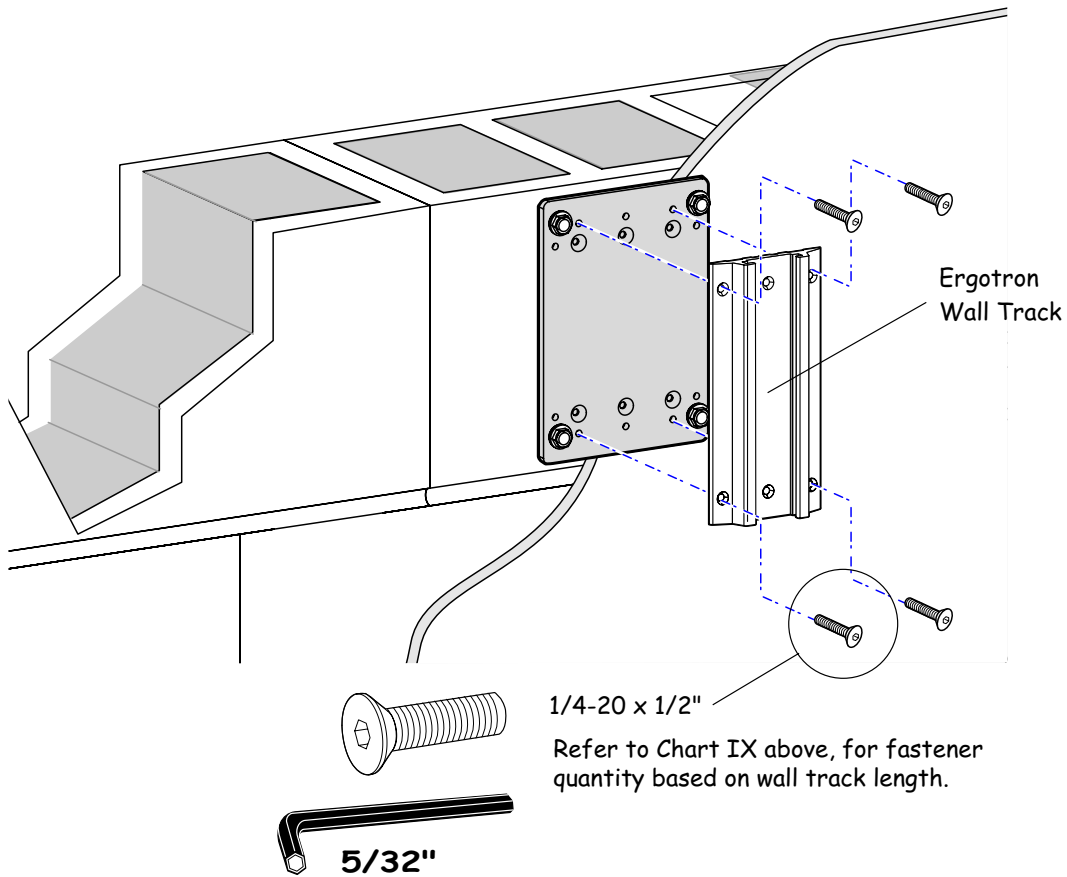
OPA-0620 Approved, 04/28/04
 Fixed Equipment Anchorage * Valid for 3 Years Maximum



John A. Gillengerten
 John Gillengerten 916-654-3547

FASTENER CHART IX - Ergotron Wall Track to Ergotron Wall Mount Bracket

	Part No.	Wall track length	Quantity 1/4-20 x 1/2" screws provided
	31-016	10" (254 mm)	4
31-017	26" (660 mm)	8	
31-018	34" (864 mm)	10	
31-019	50" (1270 mm)	14	



Raafat S. Aboulhosn
Structural Engineer S3913

Office of Statewide Health Planning and Development

OPA-0620 Approved, 04/28/04

Fixed Equipment Anchorage * Valid for 3 Years Maximum



John D. Gillengerten
John Gillengerten 916-654-3547

STANDARD WALL TRACK ANCHORAGE

For applications where compliance to OSHPD is not required

1 Prepare wall surface

You may be required to install a support backing in your wall. (Refer to California OSHPD Mounting Instructions beginning on page 2 to see if they apply to your situation.)



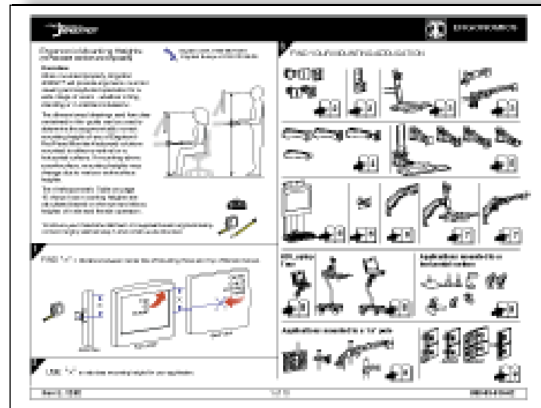
WARNING: Ergotron Wall Mounted Track must be securely attached to your wall. Because wall construction varies widely and your ultimate mounting method is out of Ergotron's control, it is imperative that you consult with appropriate local engineering, architectural, or construction personnel to ensure that the track is mounted properly to handle applied loads.

2 Determine mounting location

Determine the mounting height and horizontal location of the Track. Optimum mounting height will vary depending on a variety of factors such as monitor size, room height and user heights. For more detailed information, consult Ergotron's Installation Planning Guide (888-99-012) or for Flat Panel Monitor Arms, the Ergonomic Data and Mounting Heights Guide (888-99-014) that was shipped with your Ergotron Mounting Solution.



888-99-012



888-99-014

**NO OSHPD
REVIEW REQUIRED**

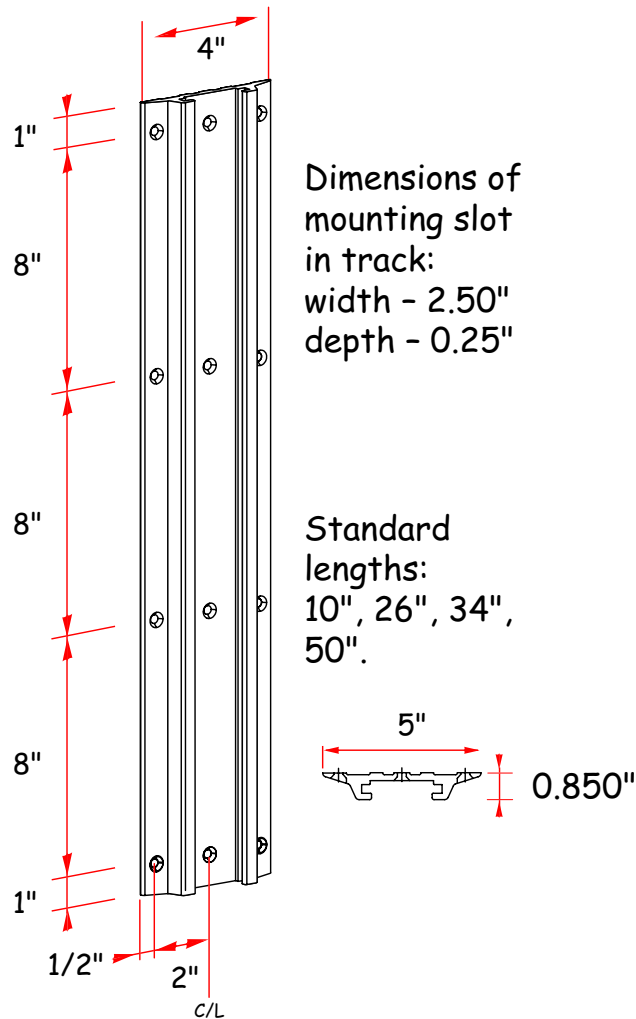
STANDARD WALL TRACK ANCHORAGE

For applications where compliance to OSHPD is not required

3 Attach wall track

Use the appropriate Ergotron hardware kit (sold separately) or your own hardware to mount the Track to the wall. If, after consulting with appropriate local engineering, architectural, or construction personnel it is determined that wall anchor hardware should be used, refer to instructions on page 17.

You may use all or some of the mounting holes depending on your application - see WARNING above. After the Track is securely attached to your wall, you may mount Ergotron Track Mounted components to it - refer to instructions, packaged separately.



**NO OSHPD
REVIEW REQUIRED**

STANDARD WALL TRACK ANCHORAGE

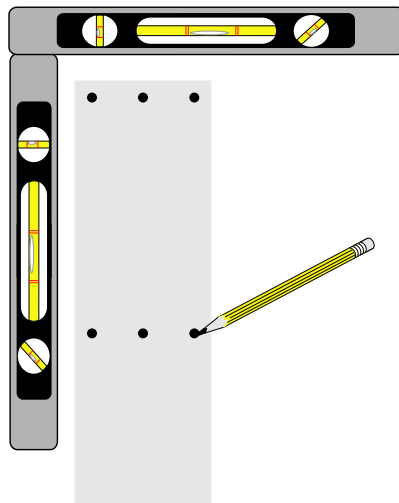
For applications where compliance to OSHPD is not required

Wall Anchors FOR WALL TRACK INSTALLATION

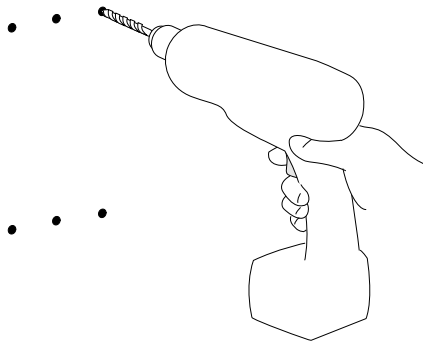
If, after consulting with appropriate local engineering, architectural, or construction personnel it is determined that wall anchor hardware should be used, follow "steps 1 & 2" beginning on this page and continued on page 18, then return to "step 3" on page 16 to mount wall track to wall.

1 Mark and drill holes for wall anchors

- a** Use wall track with level as a template to mark all holes before drilling.



- b** Drill 1/2" (12.8mm) pilot holes (one for each wall anchor) into plaster wall.



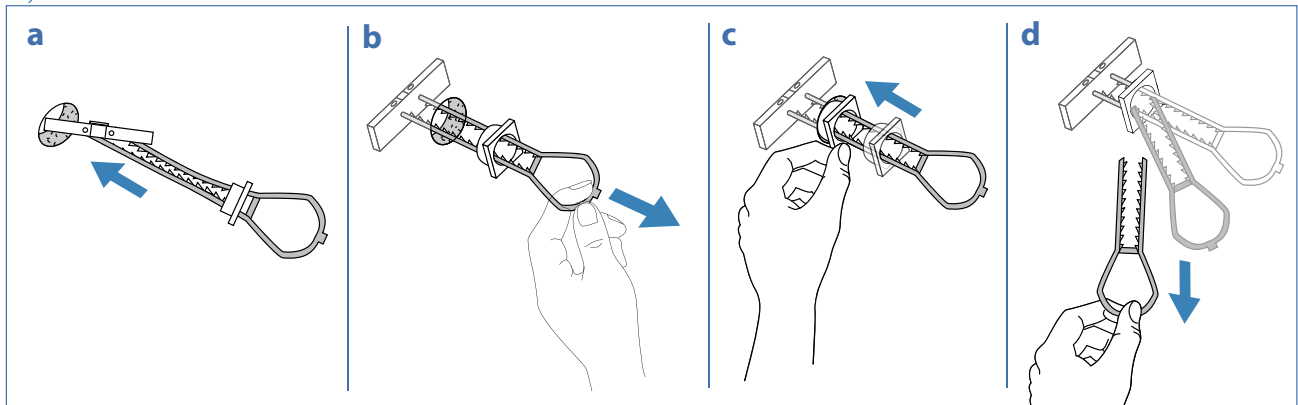
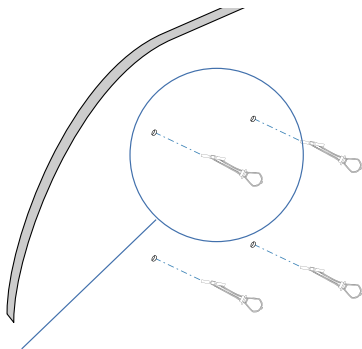
**NO OSHPD
REVIEW REQUIRED**

STANDARD WALL TRACK ANCHORAGE

For applications where compliance to OSHPD is not required

2 Install wall anchors

- a** Push anchor plate into hole.
- b** Pull loop back so plate opens flat against inside surface of wall.
- c** Push collar into hole.
- d** Snap off loop.
- e** When all anchors have been installed, continue to "step 3" on page 16 for wall track attachment.



 © 2004 Ergotron, Inc. All rights reserved.

Patents Pending and Patented U.S. & Foreign. Ergotron is a registered trademark of Ergotron, Inc. Reproduction of this material in whole or part for any purpose other than that authorized by Ergotron, Inc. is prohibited.

**NO OSHPD
REVIEW REQUIRED**