

Installation and Assembly - Adapter Bracket for VESA® 300 x 300 Screens

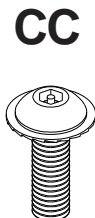
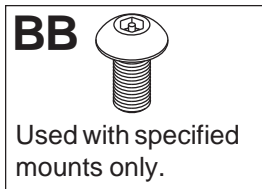
Model: PLP-V3X3

IMPORTANT! Read instruction sheet before you start installation and assembly.

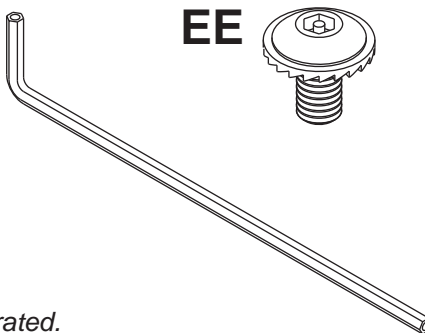
Before you start make sure all parts listed are included with your product.

Parts List

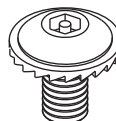
Description	Qty.	Part #
AA adapter bracket	1	201-1590
BB M5 x 10 mm socket pin screw	4	520-1063
CC M5 x 16 mm socket pin serrated washer head screw	4	510-1161
DD 4 mm allen wrench	1	560-9646
EE M6 x 12 mm socket pin serrated washer head screw	4	510-1050



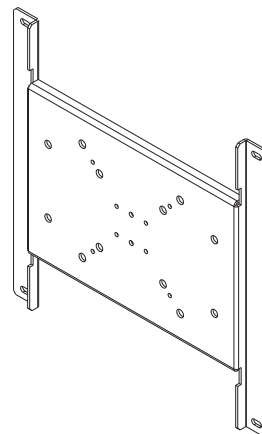
DD



EE



AA



Some parts may appear slightly different than illustrated.

⚠ WARNING

- Do not overtighten. Overtightening may cause permanent damage to the screen. Torque to 26-35 in • lb (30-40 kg • cm).

- Using 5/32" (4mm) security allen wrench (DD), attach adapter plate (AA) to screen using four M5 x 16 mm serrated washer head socket pin screws (CC) or four M6 x 12 mm serrated washer head socket pin screws (EE).

NOTE: Screw must make at least three full turns into the mounting hole and fit snug into place. If you have any questions, please call Peerless customer care at 1-800-865-2112.

