

# Installation and Assembly - SolidPoint™ Flat Panel Straight Column Mount

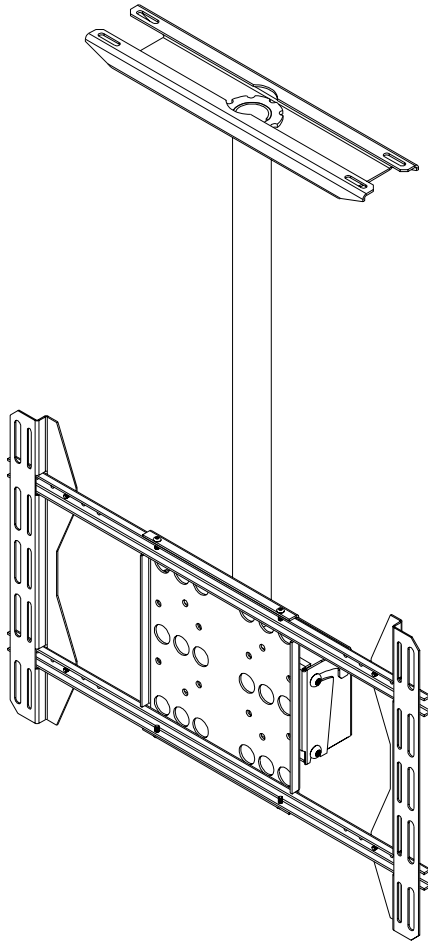
Model: PLCM UN1,  
PLCM UN1 CP

Read instruction sheet before you start installation and assembly.

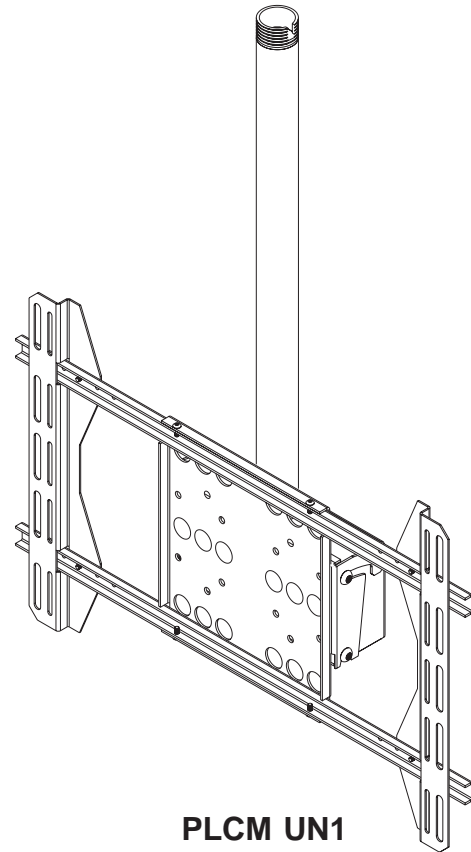


This product is intended for use with UL Listed products and must be installed by a qualified professional installer.

Model	Max. Load	Screen Size Range
PLCM UN1	125 lb. (56.7 kg.)	32" - 50"
PLCM UN1 CP	125 lb. (56.7 kg.)	32" - 50"



PLCM UN1 CP



PLCM UN1

**Note:** Installation for 32"-50" LCD and Flat Panel Screens

## ⚠ WARNING

- Installer must verify that the ceiling will safely support the combined weight of all attached equipment and hardware.

# **WARNING**

- Do not begin to install your Peerless product until you have read and understood the instructions and warnings contained in this Installation Sheet. If you have any questions regarding any of the instructions or warnings, please call Peerless customer care at 1-800-729-0307.
- This product should only be installed by someone of good mechanical aptitude, and fully understands these instructions.
- Never exceed the Maximum UL Load Capacity.
- Always use an assistant or mechanical lifting equipment to safely lift and position equipment.
- Tighten screws firmly, but do not overtighten. Overtightening can damage the items, greatly reducing their holding power.
- Installer must verify that the ceiling will safely support the combined weight of all attached equipment and hardware.

## **Table of Contents**

Parts List .....	3
Installing Ceiling Plate (model PLCM-UN1-CP only) .....	4
Installing Flat Panel Straight Column Mount to ceiling .....	5
Installing Adapter Plate .....	6
Installing Adapter Plate to Screen .....	7, 8
Installation of Screen to Flat Panel Straight Column Mount .....	9

Before you begin, make sure all parts shown are included with your product.

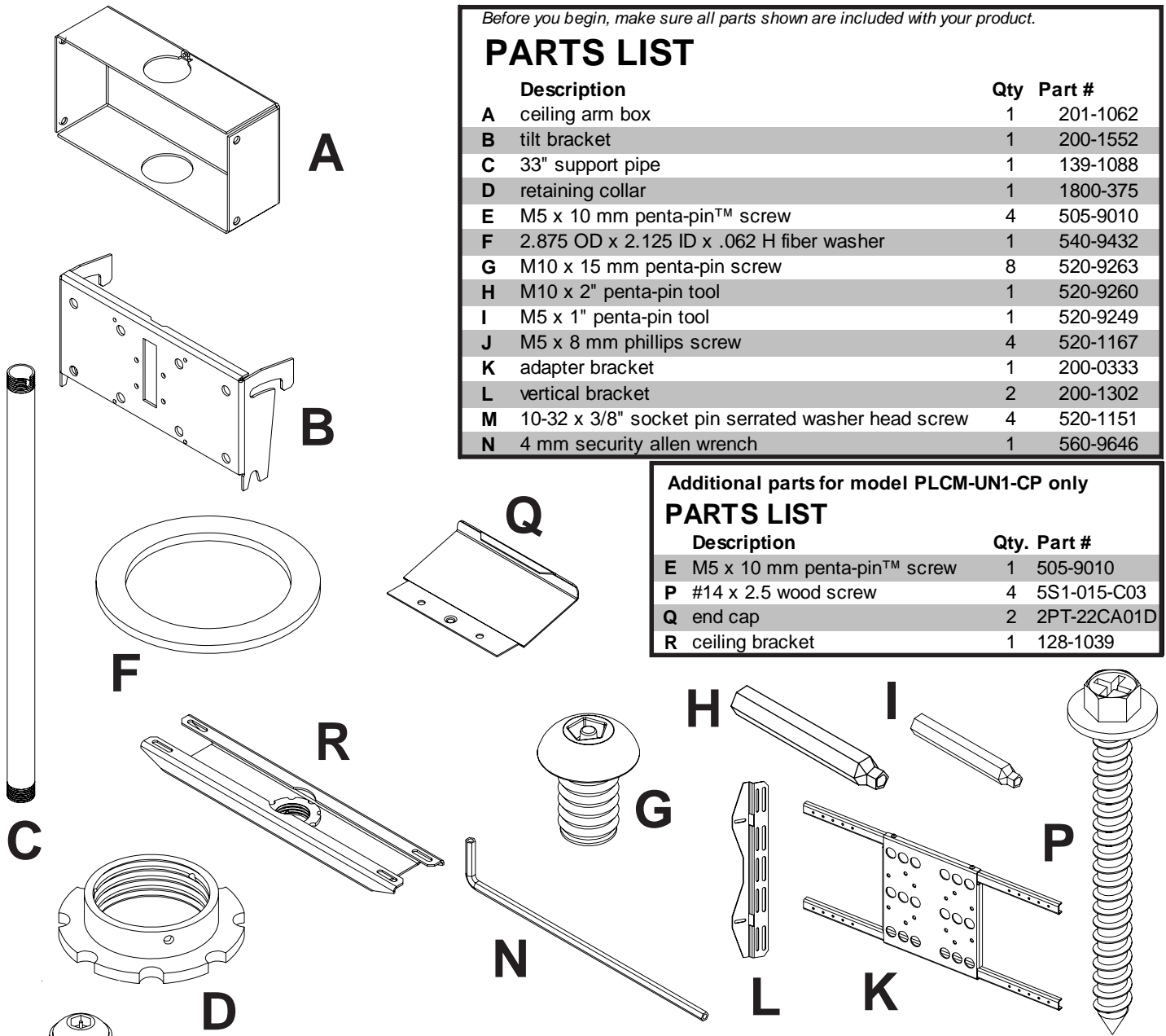
## PARTS LIST

Description	Qty	Part #
<b>A</b> ceiling arm box	1	201-1062
<b>B</b> tilt bracket	1	200-1552
<b>C</b> 33" support pipe	1	139-1088
<b>D</b> retaining collar	1	1800-375
<b>E</b> M5 x 10 mm penta-pin™ screw	4	505-9010
<b>F</b> 2.875 OD x 2.125 ID x .062 H fiber washer	1	540-9432
<b>G</b> M10 x 15 mm penta-pin screw	8	520-9263
<b>H</b> M10 x 2" penta-pin tool	1	520-9260
<b>I</b> M5 x 1" penta-pin tool	1	520-9249
<b>J</b> M5 x 8 mm phillips screw	4	520-1167
<b>K</b> adapter bracket	1	200-0333
<b>L</b> vertical bracket	2	200-1302
<b>M</b> 10-32 x 3/8" socket pin serrated washer head screw	4	520-1151
<b>N</b> 4 mm security allen wrench	1	560-9646

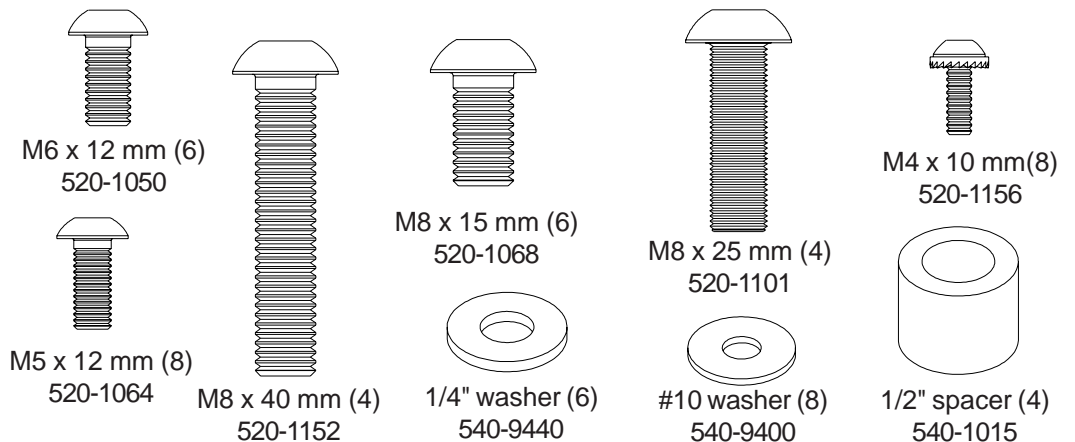
Additional parts for model PLCM-UN1-CP only

## PARTS LIST

Description	Qty.	Part #
<b>E</b> M5 x 10 mm penta-pin™ screw	1	505-9010
<b>P</b> #14 x 2.5 wood screw	4	5S1-015-C03
<b>Q</b> end cap	2	2PT-22CA01D
<b>R</b> ceiling bracket	1	128-1039



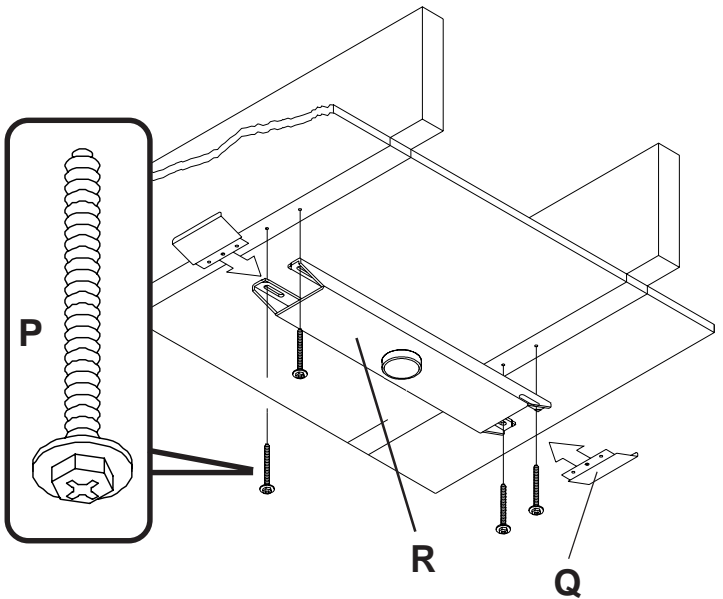
## Adapter Bracket Fasteners



**Note:** Some parts may not appear exactly as illustrated.

Skip to page 5 for PLCM-UN-1

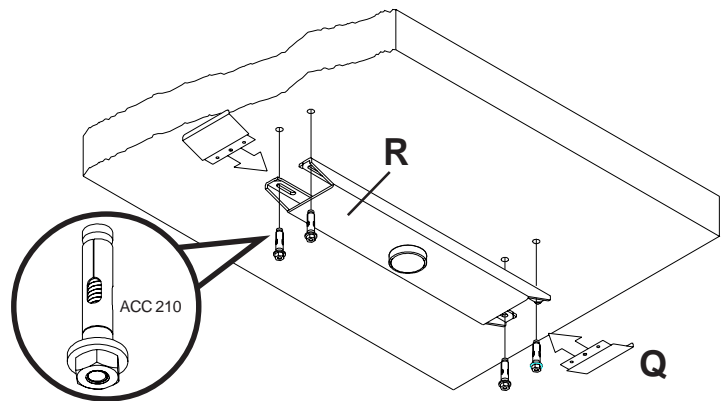
- 1** For Wood Joist Finished Ceiling, Exposed Wood Joists, or Wood Beam Ceiling. Drill four 5/32" (4 mm) dia. holes to a minimum depth of 2.5" (64 mm) **INTO JOIST CENTERS**. Attach ceiling plate (R) with four #14 x 2.5" (6 mm x 65 mm) wood screws (P) using a 3/8" (10 mm) socket wrench. Tighten wood screws (P) so ceiling plate is firmly attached. Snap end caps (Q) into place.



## ⚠ WARNING

- Tighten wood screws so that ceiling plate is firmly attached, but do not overtighten. Overtightening can damage screws, greatly reducing their holding power.
- Never tighten in excess of 80 in • lb (9 N.M.).
- Make sure that mounting screws are anchored into the center of the joists. The use of an "edge to edge" stud finder is highly recommended.

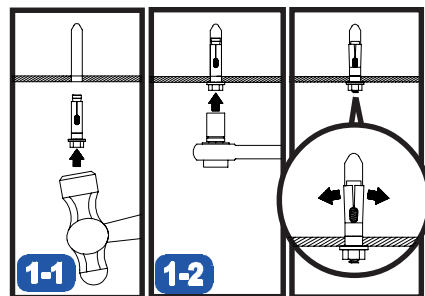
- 1** For Concrete Ceilings drill four 5/16" (8 mm) dia. holes to a minimum depth of 1 3/4" (45 mm). Attach ceiling plate (R) using concrete expansion anchors as shown in 1-1 and 1-2. Then snap end caps (Q) into place.



- 1-1** Align hole in ceiling plate with hole in ceiling. Gently hammer in concrete anchor.

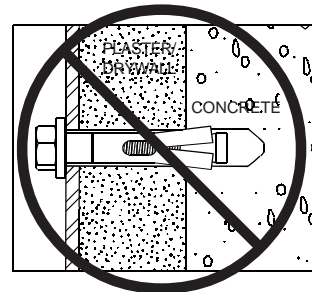
- 1-2** Use a 10 mm wrench to tighten concrete anchor to 80 in • lb (9 N.M.) maximum torque to expand anchors.

**FOR PRODUCT SAFETY USE ONLY RAWL™ #5005 OR HILTI™ HL814 CONCRETE ANCHORS.** Order accessory kit #ACC 210 which contains four .312 x 1.625 (8 mm x 41 mm) concrete expansion anchors.



## ⚠ WARNING

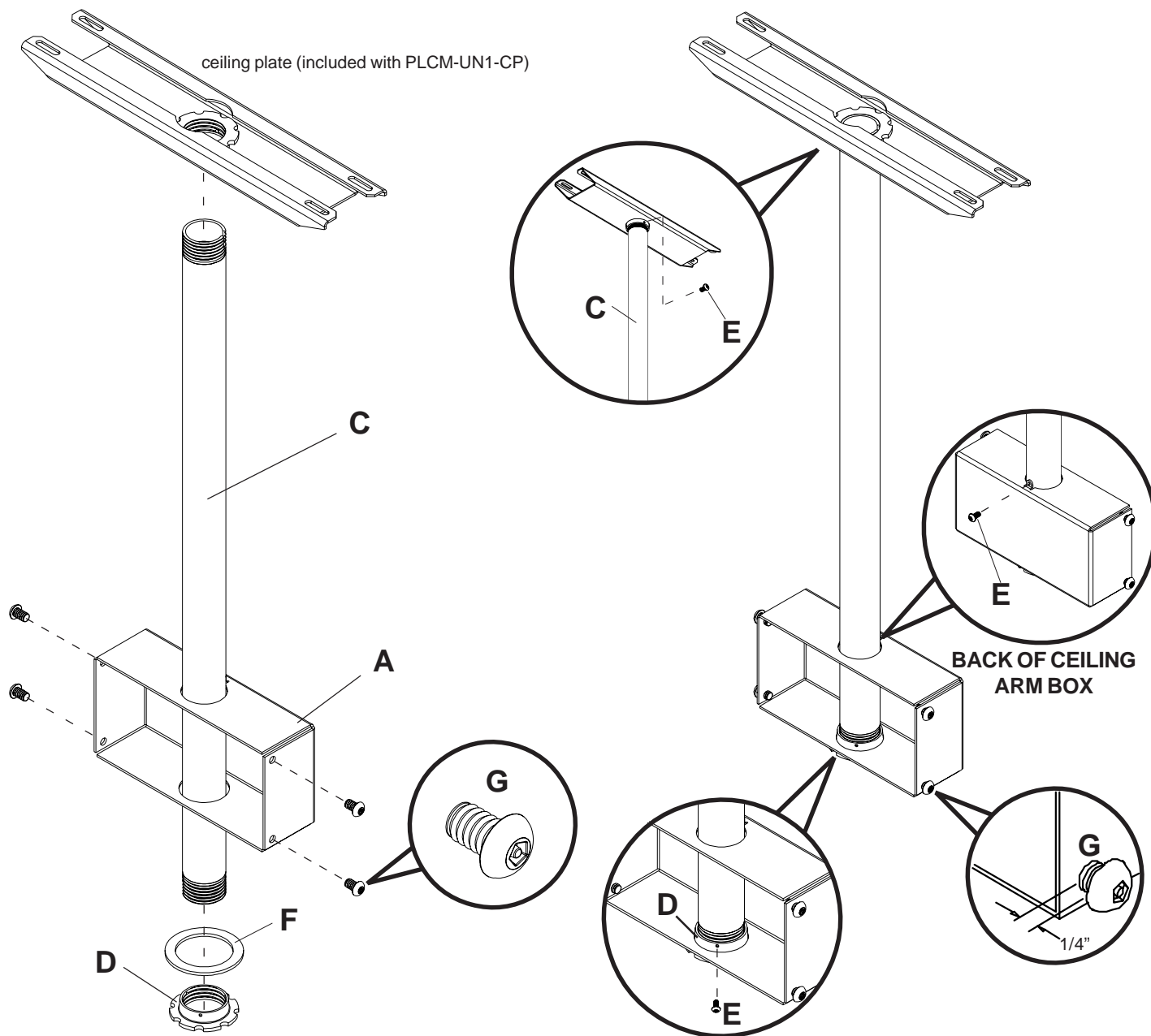
- Always attach concrete expansion anchors directly to load-bearing concrete.
- Never attach concrete expansion anchors to concrete covered with plaster, drywall, or other finishing material.



## Installing Flat Panel Straight Column Mount to ceiling

- 2 Thread support pipe (C) into threaded fitting in ceiling plate (UL Listed CMJ470, included with PLCM-UN1-CP). Tighten - four or five complete turns - leaving slot aligned with one small hole in the side of the ceiling plate threaded fitting. Insert and tighten one M5 x 10 mm penta-pin screw (E) provided with ceiling plate as shown. Use the M5 penta-pin tool (I) to tighten screw. BY HAND, insert four M10 x 1.5 x 15 mm penta-pin screws (G) into threaded holes in the sides of ceiling arm box (A). Leave approximately 1/4" of exposed thread. Slide ceiling arm box (A) and fiber washer (F) onto end of support pipe (C). Thread retaining collar (D) onto threaded end of support pipe (C). Tighten - four or five complete turns. Slide ceiling arm box (A) down so that it is on top of retaining collar (D). Insert and tighten one M5 x .8 x 10 mm penta-pin screw (E) into retaining collar (D) as shown. Insert one M5 penta-pin screw (E) through the tab on the back of ceiling arm box (A). Use M5 penta-pin tool (I) to tighten screw just enough to stabilize support pipe (C).

**Note:** UL Listed ADJ or EXT extension columns series can be used in combination with, or in place of support pipe (C) to achieve different lengths.

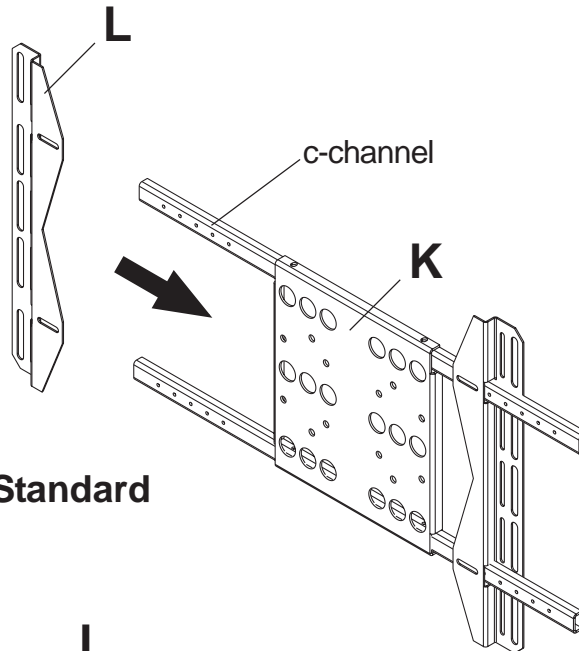


## Installing Adapter Plate

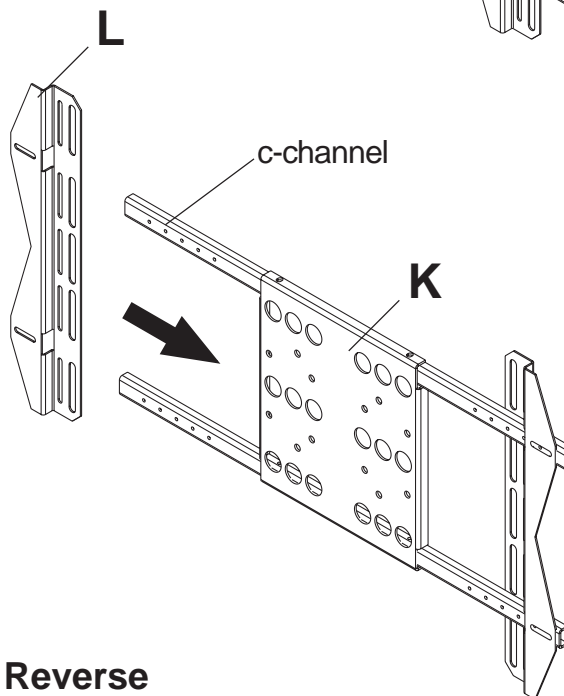
To assemble the adapter bracket (K) to your flat screen product, please refer to the compatibility chart and configurations table on accompanying screen compatibility chart. First, locate your flat screen product in the compatibility chart using the manufacturers name and model number. Next, note the configuration letter shown in the far right hand column. Finally, use the configurations table, which appears after the compatibility chart, to determine the correct mounting hardware for your flat screen product.

- Slide vertical brackets (L) onto c-channels as shown below. Refer to the table on the last page of the screen compatibility chart to determine the proper assembly of the vertical bracket (L). For standard bracket mounting, see figure 3.1. For reverse bracket mounting, see figure 3.2.

Example: *For a Toshiba model 50 HP82 50" screen, assemble the vertical bracket (L) as shown in figure 3.2 below (reverse bracket mounting).*



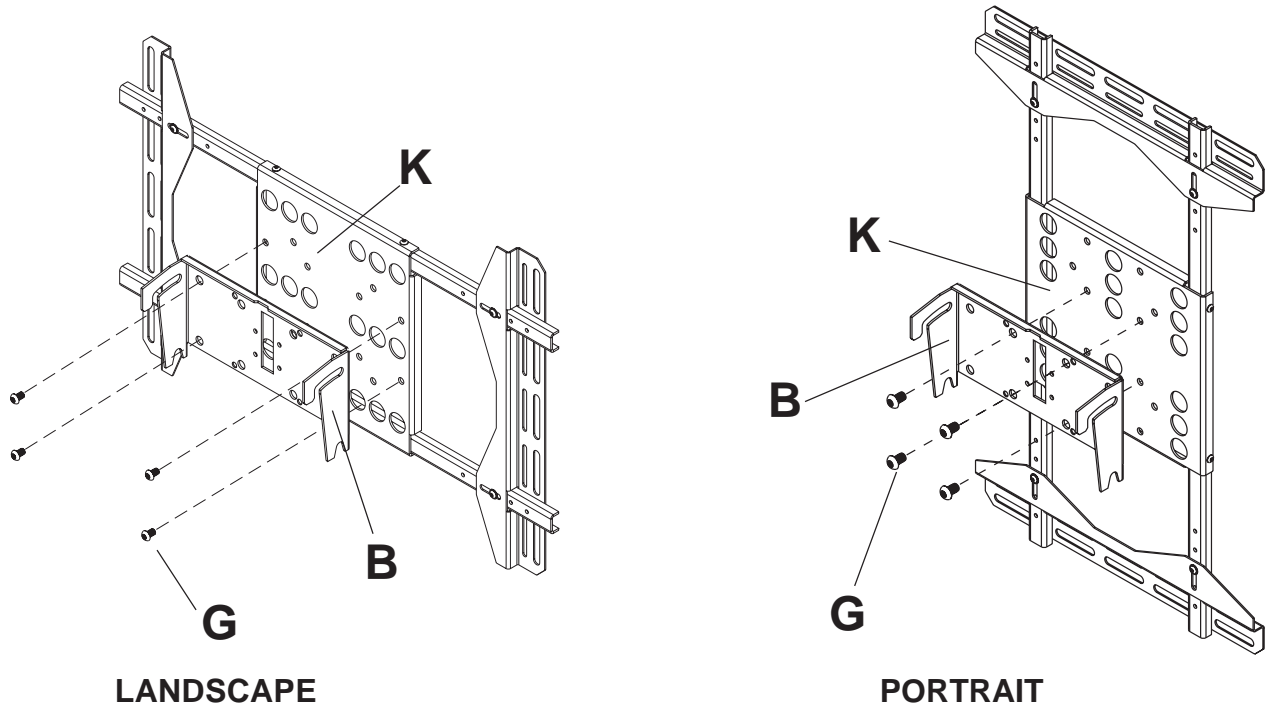
**fig. 3.1**  
**Bracket Mounting: Standard**



**fig. 3.2**  
**Bracket Mounting: Reverse**

4

Attach tilt bracket (B) to adapter bracket (K) using four M10 x 15 mm penta-pin screws (G) as shown below.

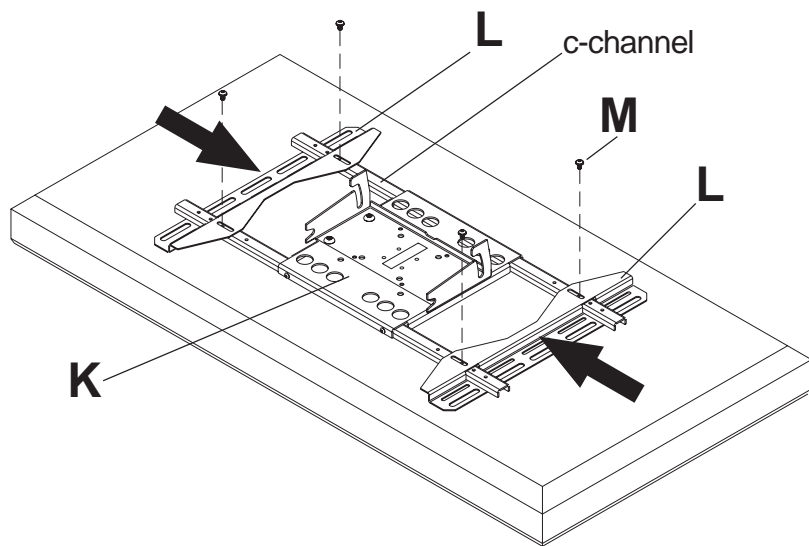


### Installing Adapter Plate to Screen

5

Set a cloth on the floor to prevent scratching the screen. Place the screen on the floor face down. If the screen has knobs on the back, remove them. Place adapter bracket (K) on the center of the screen. Slide the vertical brackets (L) along the c-channels of the adapter bracket (K) until the slots on the back of the vertical brackets (L) are aligned to the holes on the back of the screen. Fasten vertical brackets (L) to c-channels using four 10-32 x 3/8" socket pin serrated screw head (M).

**Note:** Do not fully tighten the screws (M) to allow the adapter bracket to slide along the vertical brackets (L) freely.

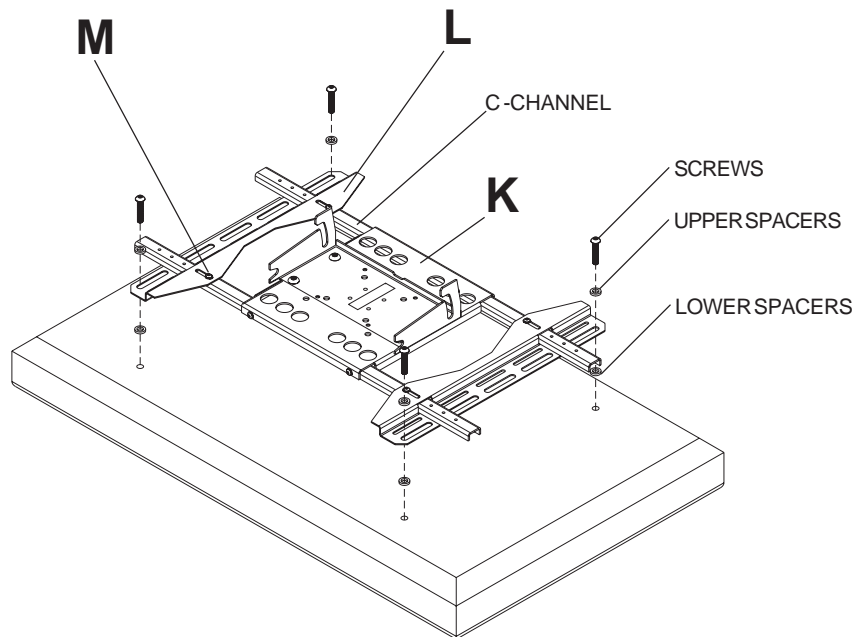


## Installation of Screen to Flat Panel Straight Column Mount

- 6 Slide the vertical brackets (L) along the c-channels of the adapter bracket (K) until the slots on the back of the vertical brackets (L) are aligned to the holes on the back of screen. Fully tighten the four 10-32 x 3/8" socket pin serrated screw head (M) which hold the vertical brackets (L) to the c-channels. Refer to the accompanying screen compatibility chart to determine the proper fasteners to use. Attach the assembled adapter bracket to the back of the screen using screws, upper and lower spacers as pictured. Verify that all holes are properly aligned, then use the security allen wrench (N) to tighten the screws.

**Note:** See figure 6 below for slot sizes.

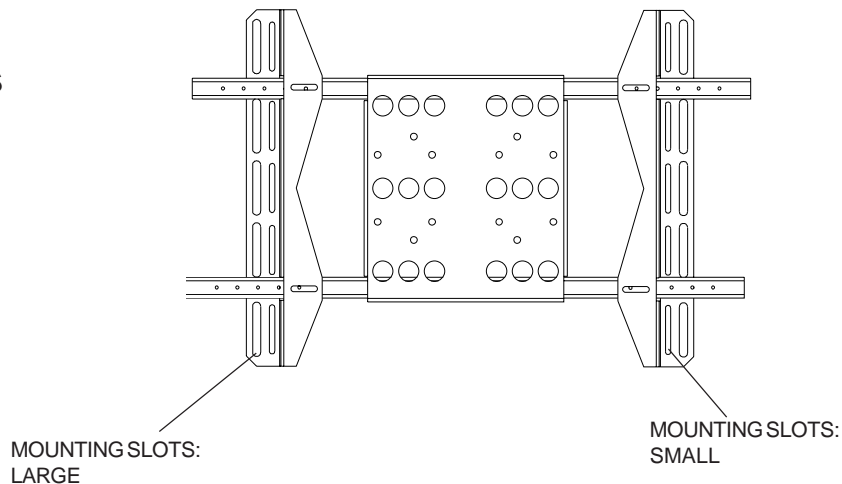
Example: For a Toshiba model 50 HP82 50" screen, attach the vertical brackets (L) to the screen using eight M4 x 10 mm serrated socket pin screws or M5 x 12 mm socket pin screws through the small slots on the vertical brackets (L). Please refer to the corresponding configuration note for more details. Upper spacers are required for this configuration.



**fig. 6**  
**Mounting Slots**

SMALL SLOTS ARE USED FOR M4 AND M5 SCREWS.

LARGE SLOTS ARE USED FOR M6 AND M8 SCREWS.





**7** Attach tilt bracket (**B**) to ceiling arm box (**A**) by sliding the tilt bracket (**B**) over four M10 x 15 mm socket pin serrated washer head screw (**G**) as shown below. Set desired tilt and tighten all fasteners.

**Note:** Wall not shown for clarity.

