

DST965

Back-to-Back Ceiling Mount with Media Player Storage

For 40"-65" Flat Panel Displays

When aesthetics are essential, choose the DST965 from Peerless-AV™. The perfect back-to-back ceiling mount for digital signage applications. Included shelving provides ample storage space for multiple media players while the side panels hide all wiring and components from view. The Peerless-AV™ universal adapter plates accommodate most displays and hold them at an ideal 20 degree viewing angle. Included security hardware deters tampering and theft.

FEATURES

- Holds two displays back-to-back at a 20° fixed tilt
- Removable side panels for easy maintenance
- Two component shelves provide storage for standard size computers
- Cables are routed through the column for a clean appearance
- Comes standard with Peerless-AV™ universal mounting brackets
- Security hardware to deter tampering and loss



Display size: 40"-65"



Max load: 300lb (136kg)



CONVENIENT STORAGE

Two component shelves provide storage for standard size computers

CLEAN PROFILE

Side panels hide cables and media players from view

UNIVERSAL

Accommodates mounting patterns up to 729 x 433mm



Clean profile



Media storage shelves



MADE IN USA

CLICK: www.peerless-av.com

CALL: 800.865.2112

FAX: 800.359.6500

peerless-AV™

DST965 Back-to-Back Ceiling Mount with Media Player Storage for 40"-65" Flat Panel Displays

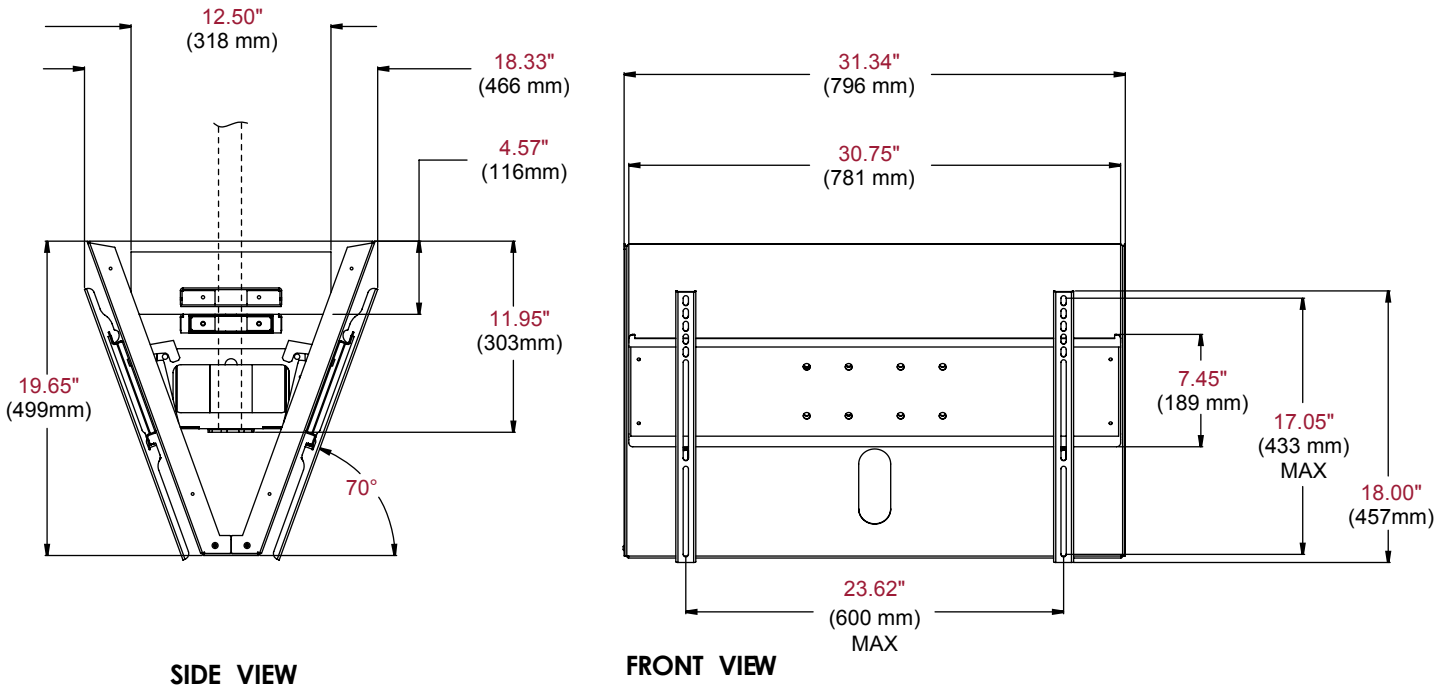
Product Specifications

	DIMENSIONS (W x H x D)	PRODUCT WEIGHT	LOAD CAPACITY	FINISH	AVAILABLE COLORS
DST965	31.34" x 19.65" x 18.33" (796 x 499 x 466mm)	80lb (36kg)	300lb (136kg)	Powder Coat	Black

Package Specifications

	PACKAGE SIZE (L x W x H)	PACKAGE SHIP WEIGHT	PACKAGE UPC CODE	PACKAGE CONTENTS	UNITS IN PACKAGE
DST965	33.13" x 31.88" x 10.75" (842 x 810 x 273mm)	85lb (39kg)	735029282419	Two universal adapters, two side panels, two shelves and interface bracket	1

All dimensions = inch (mm)



ARCHITECTS SPECIFICATIONS

The Back-to-Back Ceiling Mount with Media Player Storage shall be a Peerless-AV™ model DST965 and shall be located where indicated on the plans. It shall feature scratch resistant black fused epoxy finish. Assembly and installation shall be done according to instructions provided by the manufacturer.

Peerless Industries, Inc. ■ 2300 White Oak Circle ■ Aurora, IL 60502 ■ (800) 865-2112 ■ (630) 375-5100 ■ Fax: (800) 359-6500 ■ www.peerless-av.com

Visit www.peerless-av.com to see the complete line of AV solutions from Peerless-AV, including flat panel mounts, projector mounts, carts/stands, furniture, cables, screen cleaners and a full assortment of accessories.