

Installation and Assembly - Heavy Duty I-Beam Clamp with Decoupler



This product is intended for use with UL Listed products and must be installed by a qualified professional installer.

Note: Read entire instruction sheet before you start installation and assembly.

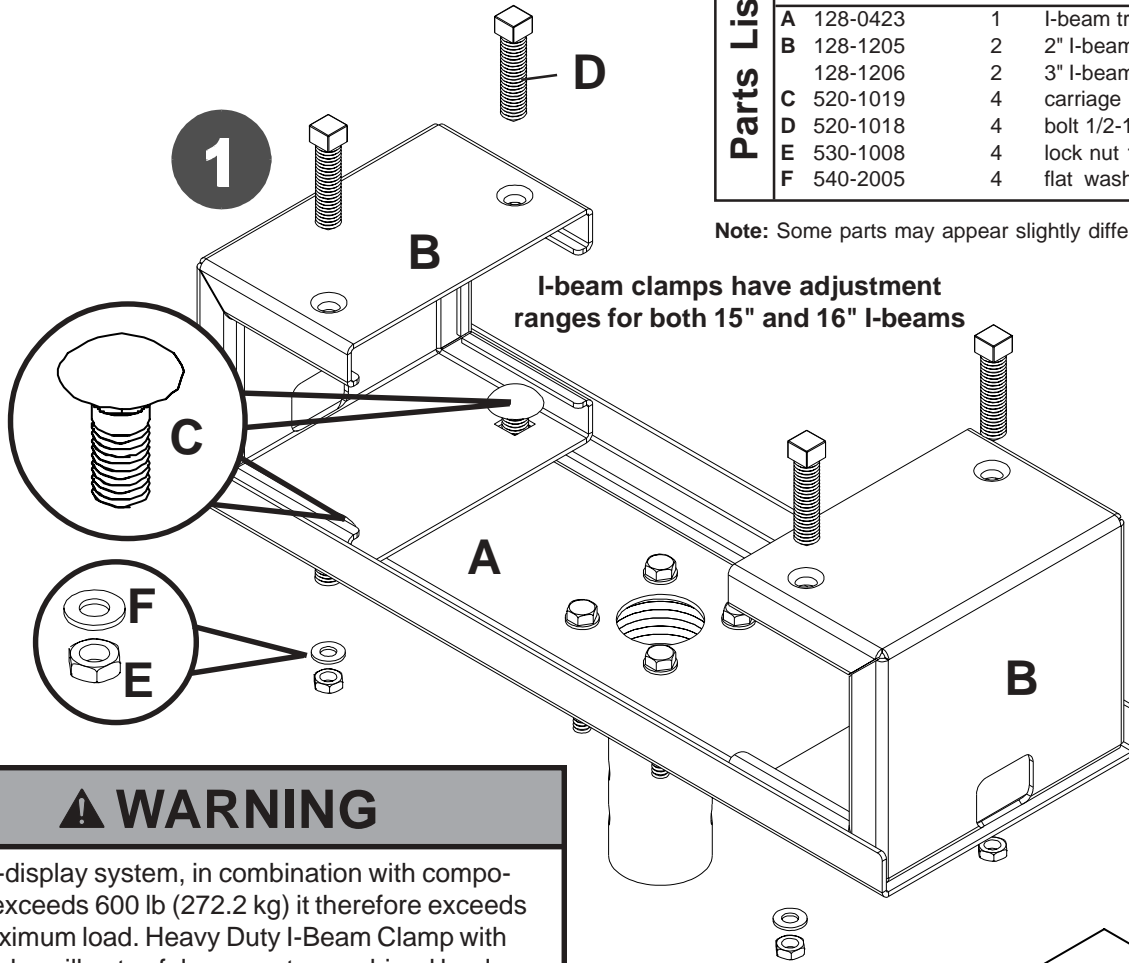
Model:
DCT600
DCT700

Before you start make sure all parts shown below are included with your product.

Maximum load rating 600 lb (272.2 kg) Combined weight to all attached hardware and components is not to exceed 600 lb (272.2 kg).

Parts List	PART #	QTY.	DESCRIPTION
A	128-0423	1	I-beam tray
B	128-1205	2	2" I-beam clamps (DCT600)
	128-1206	2	3" I-beam clamps (DCT700)
C	520-1019	4	carriage bolt 1/2-13 X 1
D	520-1018	4	bolt 1/2-13 X 2
E	530-1008	4	lock nut 1/2-13
F	540-2005	4	flat washer 1/2-13

Note: Some parts may appear slightly different than illustrated.



⚠ WARNING

- If multi-display system, in combination with components exceeds 600 lb (272.2 kg) it therefore exceeds the maximum load. Heavy Duty I-Beam Clamp with Decoupler will not safely support a combined load which exceeds 600 lb (272 kg)!

1 **Note:** For each step see corresponding illustration.
Attach brackets (B) to tray (A) using four 1/2-13 x 1" carriage bolts (C), washers (F), and lock nuts (E). Do not fully tighten.

Start four 1/2-13 x 2 bolts (D) into clamps (B).

1-1 Adjust clamps (B) securely around I-Beam. Tighten (C,F,E) securely. Tighten four bolts (D) securely. Attach the extension column according to the instructions provided with it. Use a level to make sure the column is plumb and make adjustments as necessary.

