

TECHNICAL DATA SHEET - Multi-Display I-Beam Clamp for 4" - 7" Beams



MODEL: DCT 900

Features:

- Adjustable Clamping I-beam interface
- Decoupler
- Scratch-resistant black fused epoxy finish

Dimensions:

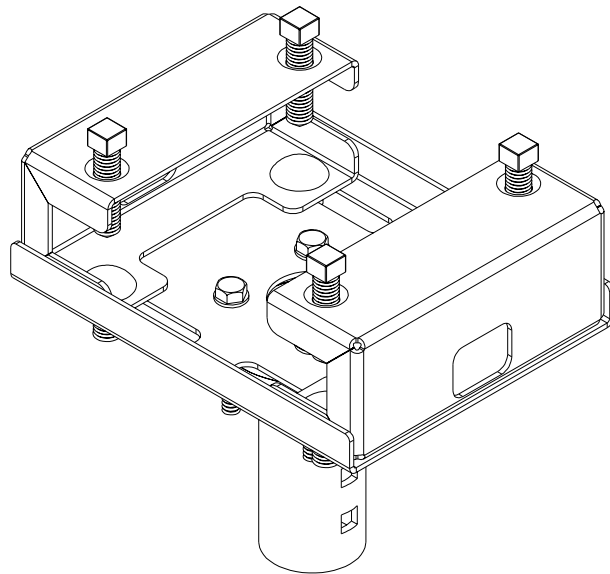
For product dimensions, see page 2.

The Multi-Display I-Beam Clamp with Decoupler is designed to anchor a Peerless Multi-Display System to an overhead I-beam. The stub fitting is compatible with Peerless (ADD model) Adjustable Length Extension Columns. The built in decoupler absorbs structural vibrations.

Important:

Architect or installer must verify that the I-beam will safely support the combined load of all attached hardware and components.

WARNING: If multi-display system, in combination with components exceeds 600 lb (272 kg) it therefore exceeds the maximum load. Multi-Display I-Beam Clamp with Decoupler will not safely support a combined load which exceeds 600 lb (272 kg)!



ARCHITECTS SPECIFICATIONS:

The Multi-Display I-beam clamp with decoupler shall be a Peerless model DCT 900 and shall be mounted where indicated on the plans. It shall consist of a I-beam clamp with an integral decoupler assembly to relieve stress (caused by side to side or swaying action that may result from minor impacts) from damaging TVs/monitors. It shall feature a 3" (76 mm) adjustment range and a clamping I-beam interface. It shall be constructed primarily of 12 gage cold rolled steel and finished in black fused epoxy. It shall be UL listed. Assembly and installation shall be done according to the instructions provided by the manufacturer.

TECHNICAL DATA SHEET

MODEL: DCT 900

Dimensions:

Weight:

7.5 lb (3.4 kg)

Shipping weight:

9 lb (4.1 kg)

***Maximum Load Capacity :**

600 lb (272 kg)

Shipping Carton dimensions:

L= 10 in (254 mm)

W= 10 in (254 mm)

H= 8 in (203 mm)

*Combined weight of all attached hardware and components.

Muti-Display I-Beam Clamp with Decoupler			
I-Beam Width (A)		I-Beam thickNess (B)	
MIN	MAX	MIN	MAX
4"	7"	2.5"	3"
(102 mm)	(178 mm)	(64 mm)	(76 mm)

