

TECHNICAL DATA SHEET - Round Ceiling Plate

peerless®

MODELS: ACC570, ACC570S, ACC570W, ACC571

Model **ACC 570** and **ACC 571** Round Ceiling Plate is compatible with all Peerless® projector mounts.

The Round Ceiling Plate is also compatible with many Peerless small to medium size TV mounts (see maximum load warning).

Features:

- Cord management access hole
- Black, silver, or white fused epoxy finish offered for models ACC 570, ACC 570S and ACC 570W
- Black fused epoxy finish offered for models ACC 571
- Cold rolled steel construction
- Security fastener
- ACC 571 includes EXT002 LCD flush mount tube

ACC 570

Weight:

1.2 lb (0.5 kg)

Shipping weight:

1.7 lb (0.8 kg)

Maximum Load Capacity:

150 lb (68 kg)

Shipping Carton dimensions:

L = 12.75 in (324 mm)

W = 9.50 in (241 mm)

H = 2.50 in (64 mm)

ACC 571

Weight:

1.34 lb (0.6 kg)

Shipping weight:

2 lb (0.9 kg)

Maximum Load Capacity:

150 lb (68 kg)

Shipping Carton dimensions:

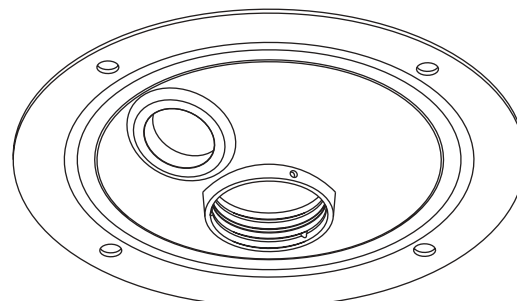
L = 12.75 in (324 mm)

W = 9.50 in (241 mm)

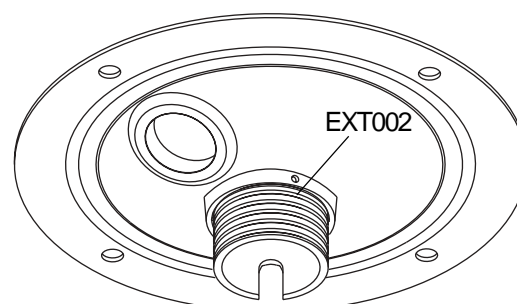
H = 2.50 in (64 mm)

Accessories:

- EXT002 (included with ACC 571)



ACC 570



ACC 571

(FLUSHMOUNT INCLUDED)

⚠ WARNING

- The combined weight of the equipment and hardware attached to this ceiling plate is not to exceed the maximum load capacity of 150 lb (68 kg).

ARCHITECTS SPECIFICATIONS

The Round Ceiling Plate shall be a Peerless model **ACC 570** or **ACC 571** and shall be located where indicated on the plans. It shall be constructed of heavy gauge cold rolled steel. The finish shall be scratch resistant black, silver, or white fused epoxy. Assembly and installation shall be done according to instructions provided by the manufacturer.

Peerless Industries, Inc.

3215 W. North Ave. Melrose Park, IL 60160
708-865-8870 800-865-2112 Fax 708-865-2941

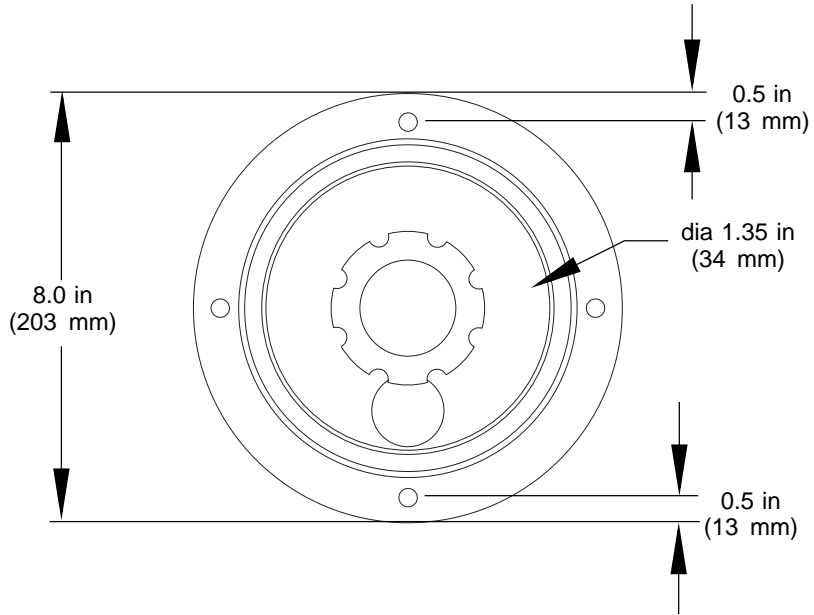
www.peerlessmounts.com

ISSUED: 07-15-99 SHEET NO: 054-9551-4 11-29-07

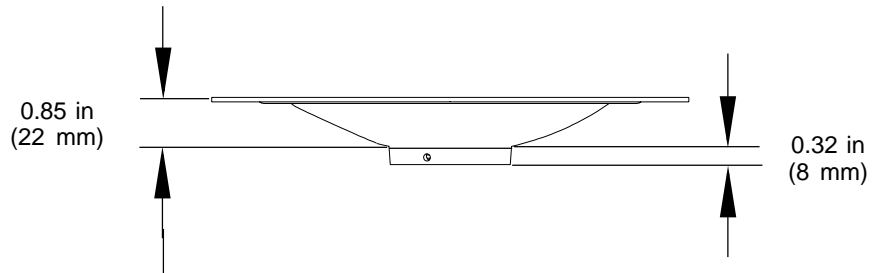
© 2007, Peerless Industries, Inc. All rights reserved.
All other brand and product names are trademarks or registered trademarks of their respective owners.

TECHNICAL DATA SHEET

MODELS: ACC570, ACC570S, ACC570W, ACC571

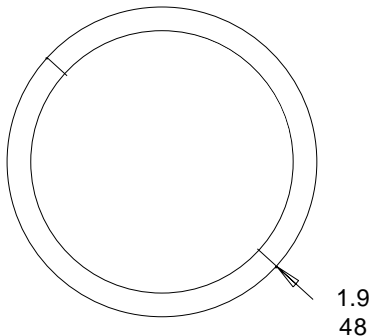


TOP VIEW



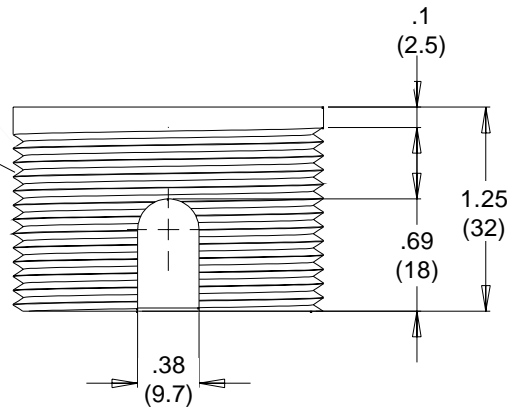
FRONT VIEW

EXT002



TOP VIEW

1-1/2 x 11.5
NPS SPECIAL
P.D. 1.77 DIA.



FRONT VIEW