

TECHNICAL DATA SHEET - Vibration Absorber Ceiling Mount for Unistrut®

peerless®
Solid Solutions - Solid Support™

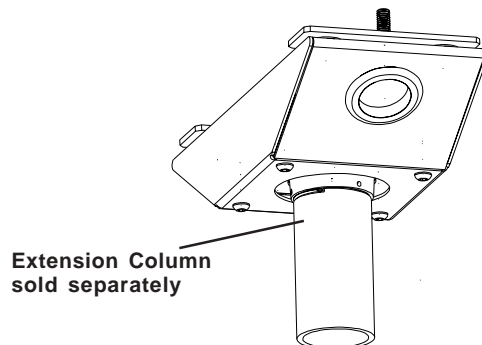
MODEL: ACC 845



The **Vibration Absorber Ceiling Mount** for use on **Unistrut®** reduces unwanted vibrations on mounting surface that may cause internal damage or cause interference with projector image. For wood installation, order model ACC 840

Features:

- Shock absorbing rubber bumpers isolate mounting point to projector from main mounting surface
- Mounts only to Unistrut® by use of included spring nuts
- Cord management access holes allow cords to run through the extension column and exit to a power source (note: ACC 800 is needed for Vector Pro™ cord management)
- For use with Peerless Projector mounts
- Accepts Peerless EXT or ADJ 1 1/2" schedule 40 extension columns
- Scratch resistant black fused epoxy finish



Dimensions:

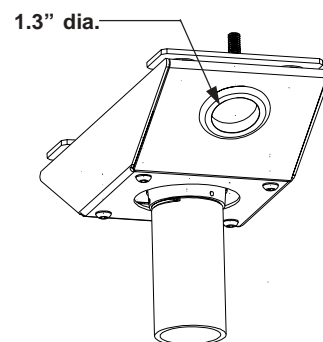
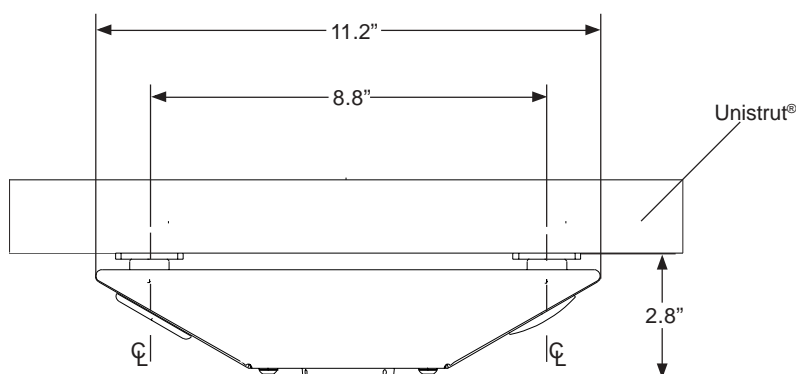
Weight: 3.60lbs (1.6kg)

Shipping weight: 4.12lbs (1.9kg)

Maximum Load Capacity: 60lbs (27.2kg)

Shipping Carton dimensions:

**L= 12.25in (311mm) W= 9.625in (244mm)
H= 4.0in(101.6mm)**



ARCHITECTS SPECIFICATIONS:

The Vibration Absorber Ceiling Mount for Unistrut® shall be a Peerless model **ACC 845** and shall be mounted where indicated on the plans. It shall use shock absorbing rubber bumpers. It shall mount directly to Unistrut® using spring nuts. It shall feature cord management access holes on ends of mount. It shall be finished in scratch resistant black fused epoxy. Installation and assembly shall be done in accordance with the instructions provided by the manufacturer.

Peerless Industries, Inc.
3215 W. North Ave. Melrose Park, IL 60160
708-865-8870 800-865-2112 Fax 708-865-2941
www.peerlessindustries.com

ISSUED: 01/25/02 SHEET NO: 055-9575-2 06-03-02

© 2002 Peerless Industries, Inc. All rights reserved.
Peerless is a registered trademark of Peerless Industries, Inc.
Unistrut® is a registered trademark of Peerless Industries, Inc.