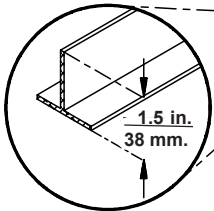
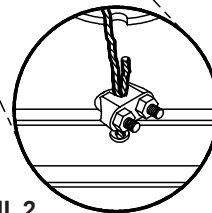


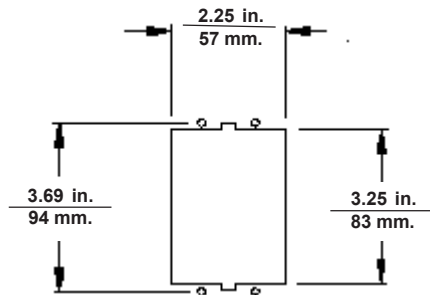
Knockout panels provided for electrical outlet boxes (Raco 445 or Appleton 383 recommended) and antenna leads.



DETAIL 1
Suspended Ceiling Runner



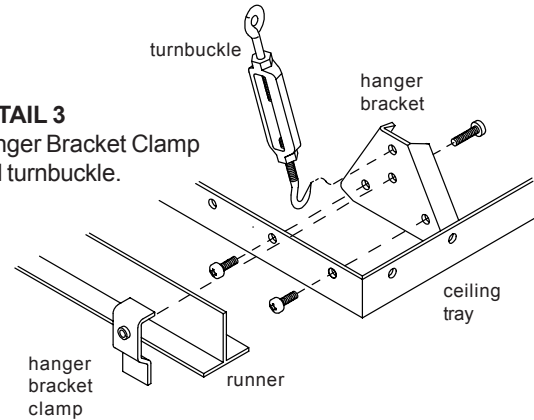
DETAIL 2
Safety Cable and Cable Clamp.



Electrical Knockout

The Suspended Ceiling Plate for Jumbo Mounts consists of a 24"(610mm) x 24"(610mm) ceiling tray suspended by four tie wires from the true ceiling above. A fifth "safety cable" is also provided. Turnbuckles allow the installation to be "fine tuned". The NPS threaded fitting in the center of the ceiling tray serves as the point of attachment for a Peerless Jumbo Mount TV Mount or other Peerless product specified as compatible with the Suspended Ceiling Kit. Product may be attached directly or lowered with the addition of a Peerless NPS Extension Column available in several lengths. 20' (6.1m) of tie wire is provided (12 gauge annealed steel, soft, black) - enough for a 3' drop suspended ceiling. If the suspended ceiling is more than 3 feet from the true ceiling, the installer will need to

DETAIL 3
Hanger Bracket Clamp and turnbuckle.



MAX LOAD CAPACITY 250 LB

WARNING: WEIGHT OF TV or MONITOR NOT TO EXCEED MAXIMUM LOAD CAPACITY!



WEIGHT: 20.5 LB
SHIPPING WEIGHT: 21.1 LB

Suspended Ceiling Plate for Jumbo Mounts
TECHNICAL DATA SHEET

Peerless Industries, Inc.

3215 W. North Ave.
Melrose Park, IL 60160

phone: (708)865-8870
fax: (708)865-2941

date: 7-25-95 128-9504-5 09-03-09