

# Installation & Assembly - Lightweight Suspended Ceiling Plate for Projector Mounts

Model: CMJ 455



This product is intended for use with UL Listed products and must be installed by a qualified professional installer.

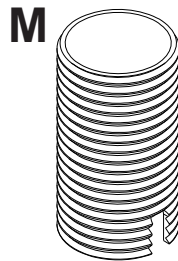
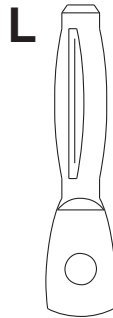
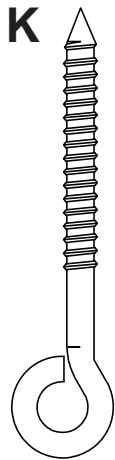
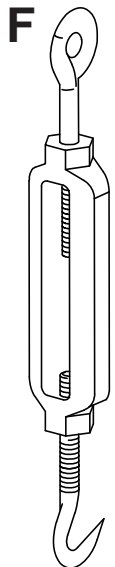
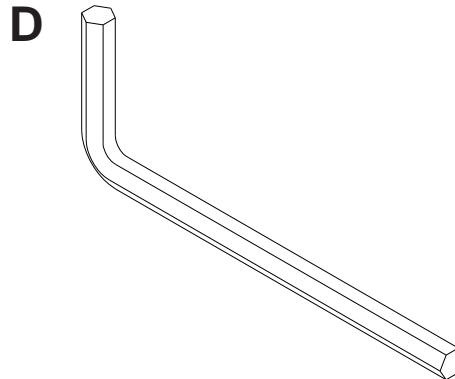
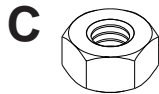
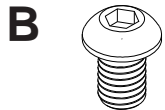
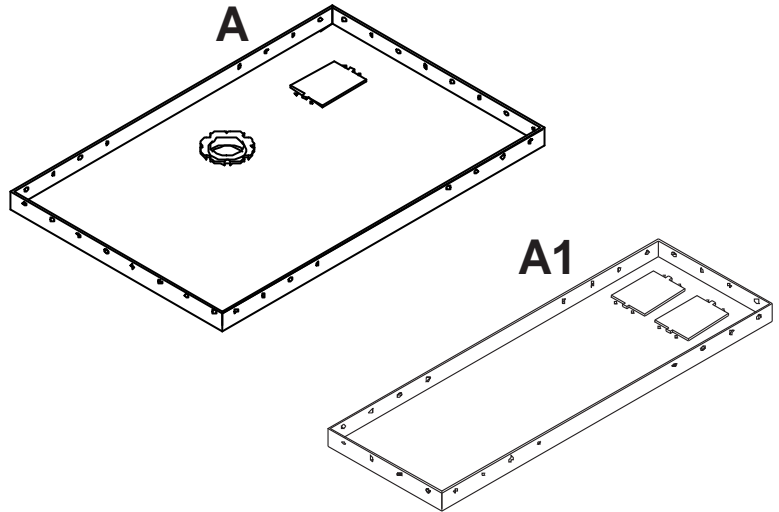
This Suspended Ceiling Plate is intended for use only to support Projector Mounts or other products as specified by Peerless.

Max. Load Capacity : 50 lb (22.7 kg)

## ⚠ WARNING

- Weight of TV or screen shall not exceed maximum load capacity.

QTY.	DESCRIPTION	PART #
A	1 ceiling tray	128-2198
A1	1 filler tray	128-2207
B	4 1/4"-20 x 3/8" screws	520-2015
C	4 1/4"-20 nuts	530-9302
D	1 allen wrench	560-9706
F	4 turnbuckle	560-9620
G	1 20' (6.1m) tie wire (not shown)	600-2008
K	5 eye bolt	580-0006
L	5 concrete anchor	580-0005
M	1 flush mount tube	1446-014



**IMPORTANT PRE-ASSEMBLY INFORMATION:**

Ceiling Trays (A), and (A1) are designed to fit within or above a 24" (610 mm) x 24" (610 mm) section of a conventional suspended ceiling system. It may also be mounted within or above 24" x 48" conventional suspended ceiling. Ceiling runners (see **DETAIL 1, page 3**) should have a "T" cross section and a minimum height of 1.5" (38 mm).

For certain installations it may be best to install ceiling anchors (**step 3**) before installing the ceiling tray (**step 2**).

**1** For Mounting Above Ceiling Tile

**1-1** Place ceiling tray (A) in grid above 24" x 24" or 24" x 48" false ceiling tile with hole to center, left, or right.

**1-2** Place filler (A1) tray into gap.

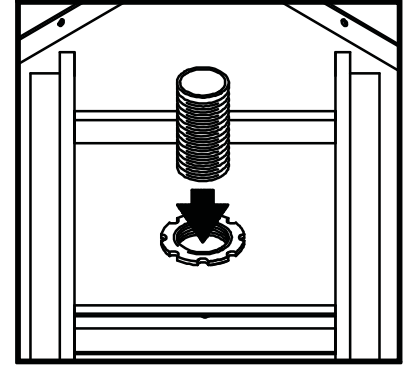
**1-3** Once placed where needed, through hole in ceiling tray (A), mark on false ceiling tile where hole will be.

**1-4** Cut out 2.25" hole in false ceiling tile. (**Escutcheon Ring Accessory (ACC 640) is recommended**).

**1-5 For flush mounting applications:** From the top down, thread the flush mount tube (M) down through the retaining collar in ceiling tray (A).

**Note: Set screw included with projector mount will be installed according to the instructions provided with the mount.**

**1-6** Skip to step (2-5)



**2** For Mounting in Place of Ceiling Tile

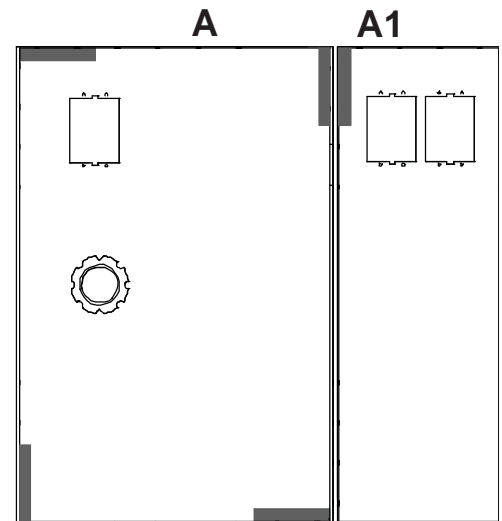
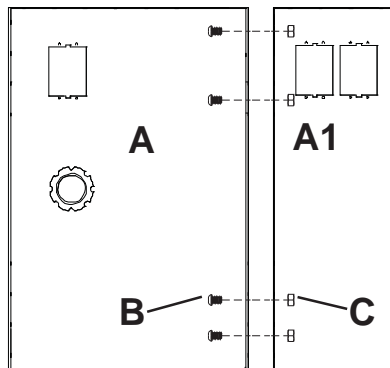
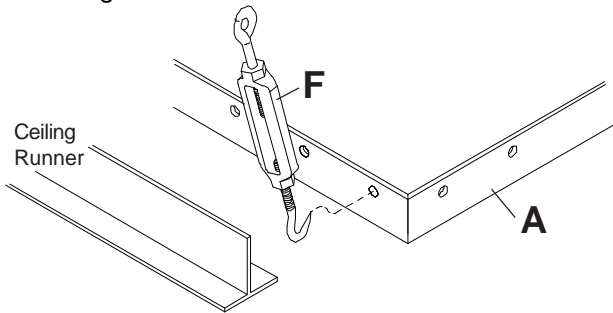
**2-1** Remove 24" x 24" or 24" x 48" false ceiling tile.

**2-2** If using 24" x 48" ceiling tile, cut one tile in half and add another 24" ceiling runner in order to make a 24" x 24" section.

**2-3** Place ceiling tray (A) in 24" x 24" grid with hole to center, left, or right.

**2-4** Place filler (A1) tray into gap.

**2-5** Attach ceiling tray (A) to filler tray (A1) using four bolts (B) and nuts (C). Hook turnbuckles (F) into ceiling tray (A). Hook one turnbuckle through (A1) and ceiling tray (A) where indicated by black rectangles in illustration below.



**TOP VIEW - CEILING TRAY**  
*Black rectangles show correct positions for Turnbuckles.*

**3** Cut tie wire (G) into four pieces of equal length. Insert wires through the ends of the turnbuckles. Twist each wire around itself at least six times as tightly as possible.

Drill holes for four ceiling anchors (see "Various Anchoring Methods"). Position the holes so when the tie wires are attached and taut the optimal angle is 15° (see figure 3.1 for reference). Unit may be mounted at an angle up to 45° if necessary.

Pull tie wires tight and attach to ends of ceiling anchors (or truss). Again twist each wire around itself at least six times as tightly as possible.

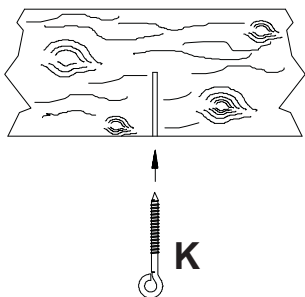
When this step is complete, the weight of the ceiling tray should be supported by the tie wires.

**Note:** 20' (6.1 m) of tie wire (G) is provided. If space between the true ceiling and suspended ceiling is more than 36" (914 mm), additional wire (12 gauge annealed, steel, black) will be needed.

### VARIOUS ANCHORING METHODS

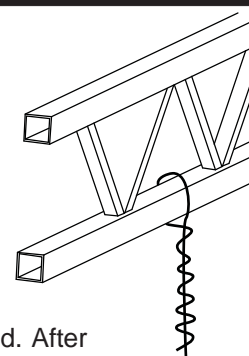
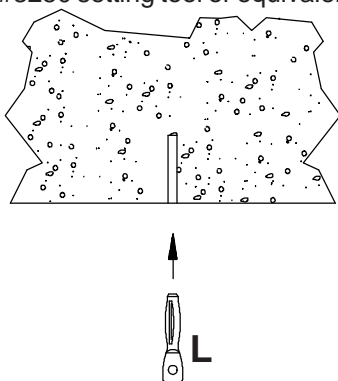
#### Wood Joists or Beams

Drill 5/32" (4 mm) dia. holes 2" (51 mm) deep. Fully insert eye bolts (K).



#### Solid Concrete

Drill 1/4" (6 mm) dia. holes 1.5" (38 mm) deep. Hammer in Concrete Anchor (L) using Rawl #3250 setting tool or equivalent.



#### Truss Ceiling

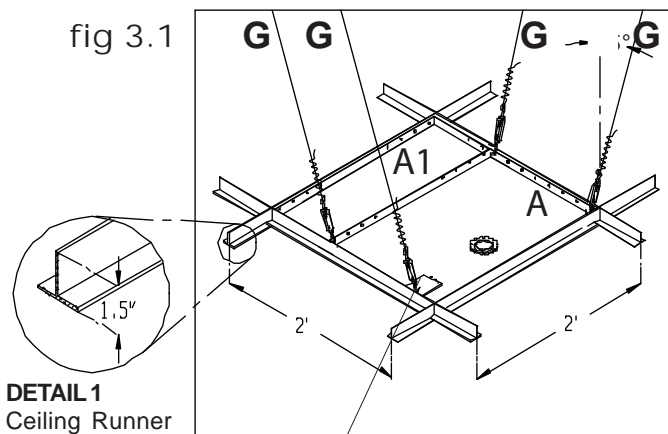
No anchor required. After attaching tie wire to turnbuckle loop upper end around ceiling truss. Pull tie wire tight and twist it around itself at least six times as tightly as possible.

## WARNING

- Installer must verify that the ceiling will safely support four times the combined weight of all attached equipment and hardware.
- Never attach hooks to filler tray.

**4** Suspended Ceiling Kit installation is now complete. After all components (Projector Mount, Extension Column, etc.) and equipment have been attached, tension the tie wires by adjusting turnbuckles (F). **Load must be carried by tie wires - not suspended ceiling runners.**

fig 3.1



Knockout panels are provided for electrical outlet boxes and antenna leads.