

I-Beam Clamp with Decoupler							
MODEL #	Weight	Shipping Weight	**Maximum Load	A		B	
				MIN	MAX	MIN	MAX
DCT600	12.6 lbs. (5.7 kg)	13.1 lbs. (6 kg)	600 lbs. (272 kg)	15" (381 mm)	19.5" (495 mm)	1.5" (38 mm)	2" (51 mm)
DCT700	13.1 lbs. (6 kg)	13.6 lbs. (6.2 kg)	600 lbs. (272 kg)	15" (381 mm)	19.5" (495 mm)	2.5" (64 mm)	3" (76 mm)

**Combined weight of all attached hardware and components.
 The Heavy Duty I-Beam Clamp with Decoupler is designed to anchor a Peerless Multi-Display System to an overhead I-beam. The stub fitting is compatible with Peerless (ADD model) Adjustable Length Extension Columns. The built in decoupler absorbs structural vibrations.

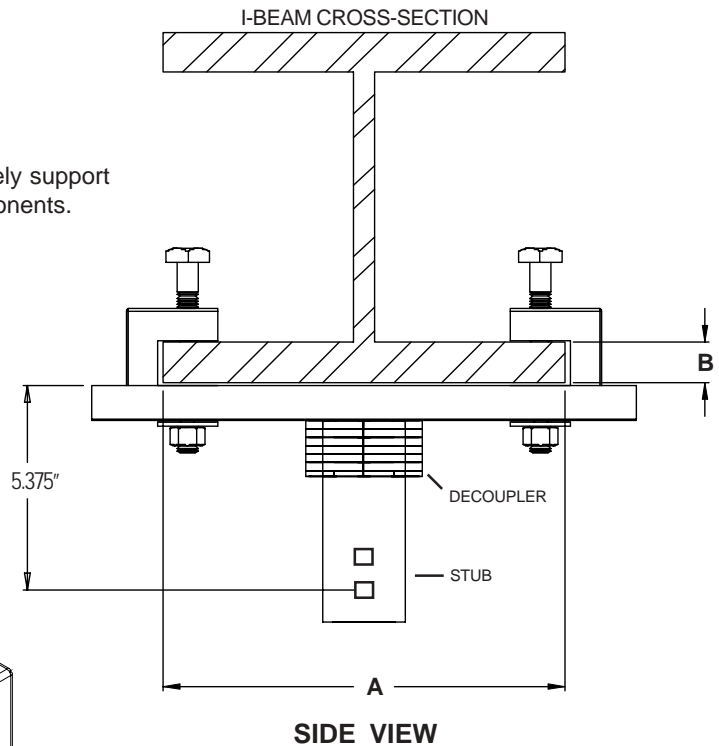
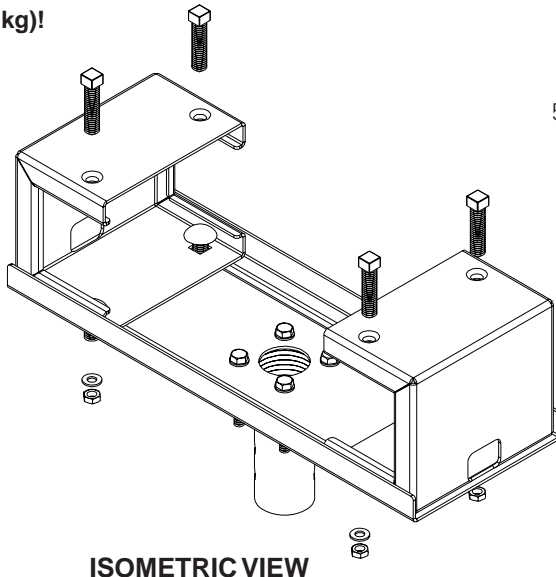
Features:

- Adjustable Clamping I-beam interface
- Decoupler
- Scratch-resistant black fused epoxy finish

Important:

Architect or installer must verify that the I-beam will safely support the combined load of all attached hardware and components.

WARNING: If multi-display system, in combination with components exceeds 600 lbs. (272 kg) it therefore exceeds the maximum load. Heavy Duty I-Beam Clamp with Decoupler will not safely support a combined load which exceeds 600 lbs. (272 kg)!



UL This product must be installed by a qualified, professional installer.

ARCHITECTS SPECIFICATIONS

The I-beam clamp shall be a Peerless model DCT___ Multi Display I-beam Clamp and shall be mounted where indicated on the plans. It shall consist of a clamping I-beam interface with an integral decoupler assembly to relieve stress (caused by side to side or swaying action that may result from minor impacts) from damaging TVs/monitors. It shall be constructed of heavy gage cold rolled steel and finished in scratch resistant black fused epoxy. It shall be UL Listed. Assembly and installation shall be done according to the instructions provided by the manufacturer.



Peerless Industries, Inc. 3215 W. North Ave. Melrose Park, IL 60160
 708-865-8870 800-865-2112 Fax 708-865-2941 www.peerlessindustries.com

TECHNICAL DATA SHEET

Heavy Duty I-Beam Clamp with Decoupler

Issued:01-27-00 Sheet No. 128-9524-2 02-20-02 page 1 of 1