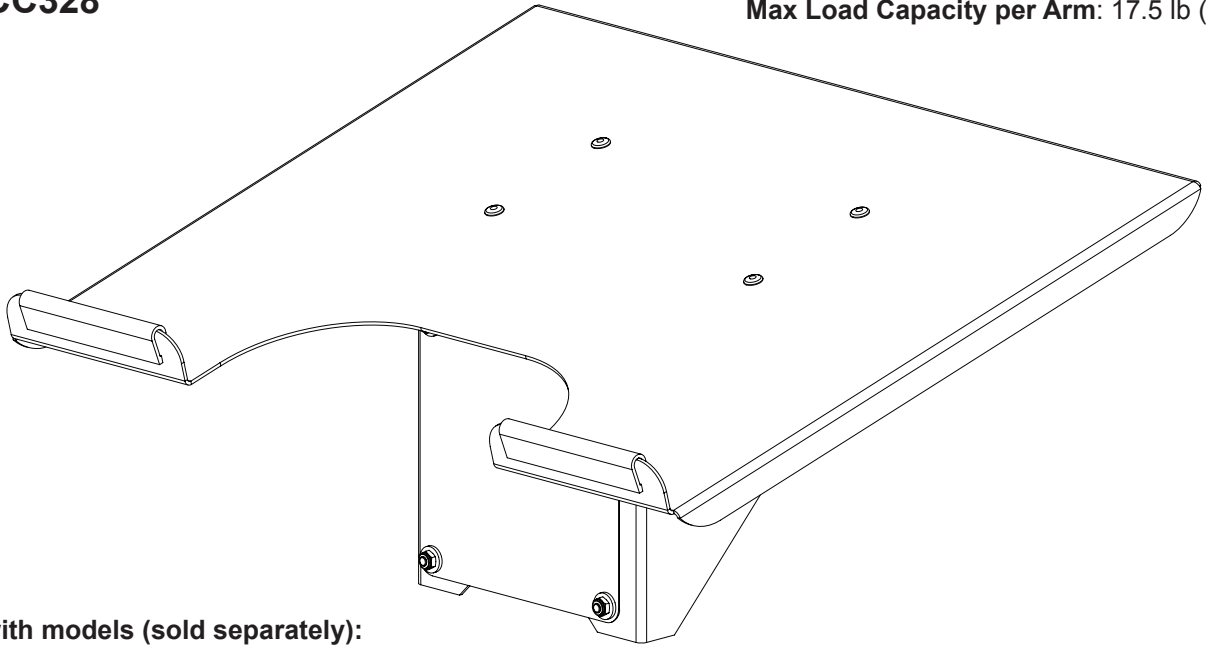


Installation and Assembly: Laptop Shelf

Model: ACC328

Max Load Capacity per Arm: 17.5 lb (8 kg)



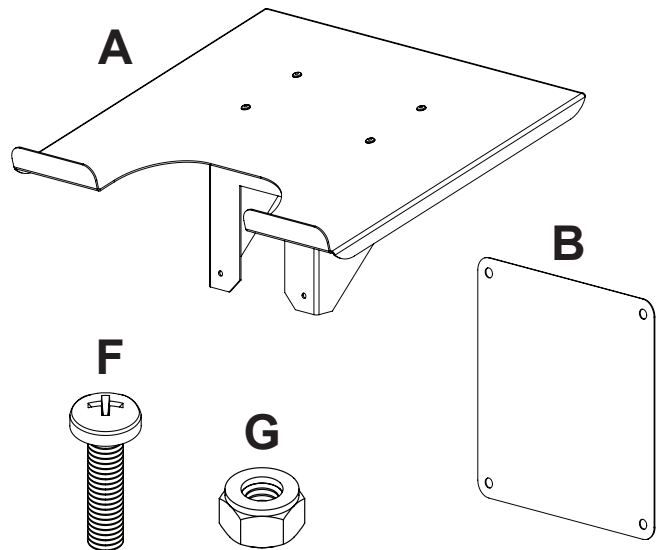
Compatible with models (sold separately):

LCT-A1B1C, LCT-A1B1H, LCT-A1B4C, LCT-A1B4H

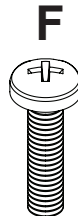
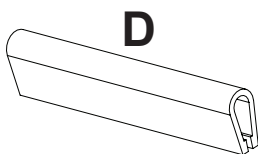
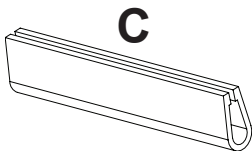
NOTE: Read entire instruction sheet before you start installation and assembly.
Before you begin, make sure all parts shown are included with your product.

Parts List

Description	Qty.	Part Number
A laptop shelf	1	021-1040
B plastic cover	1	600-0120
C plastic edging	1	600-0121
D 3" rubber edging	2	600-0122
E washer	8	540-1001
F M4 x 16 mm screw	4	520-1119
G M4 nylock nut	4	530-1055



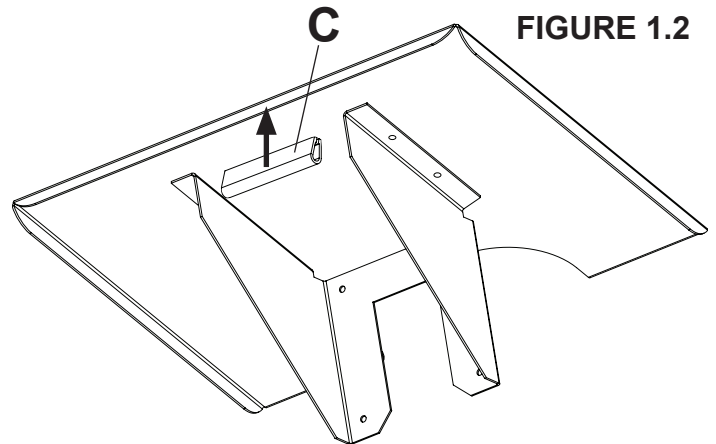
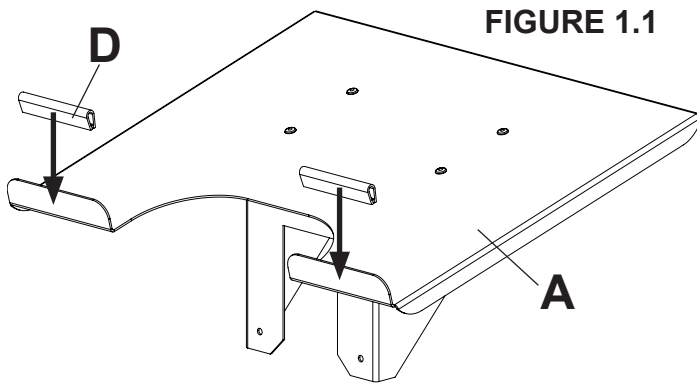
Parts may appear slightly different than illustrated.



For customer care call (800) 865-2112 or (708) 865-8870.

Attaching Edging to Laptop Shelf

- 1 Attach rubber edging (D) to laptop shelf (A) as shown in figure 1.1. Attach plastic edging (C) to laptop shelf as shown in figure 1.2. **NOTE:** Plastic edge (C) may already be attached.



Attaching Laptop Shelf to Arm Plate

- 2 Remove protective backing from plastic cover (B). Adhere plastic cover (B) to the arm plate of the desktop mount (sold separately) while keeping the holes aligned as shown in figure 2.1. Slide laptop shelf (A) down, over the back of the arm plate as shown in figure 2.1. Secure laptop shelf to arm plate with four screws (F), eight washers (E) and four nylock nuts (G) as shown in figure 2.2.

⚠ WARNING

- Desktop mount arm springs under tension. Must adjust to weight of laptop.

FIGURE 2.1

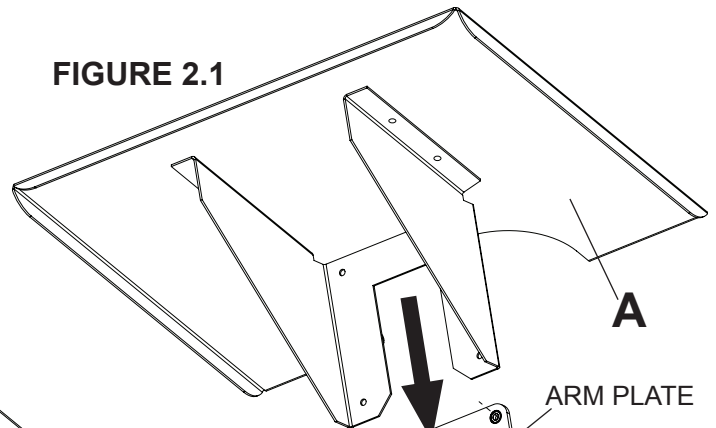


FIGURE 2.2

