

ACC328

# Laptop Tray

## For LCT-A1B1C/H and LCT-A1B4C/H Desktop Mounts

With the frequency of laptop use, there is an increasing need to optimize home or office workstations to promote enhanced ergonomic posture. The ACC328 creates an ergonomic workstation for laptop usage, putting everything needed at eye level with a tray that securely holds any standard laptop computer. Designed with a front edge that prevents the laptop from sliding forward, the mount tray will also accommodate a convertible notebook in either tablet or laptop mode. Transitioning from mobile computing to a desktop solution is effortless. The ACC328 easily mounts with just four screws to a selection of Peerless' Universal Desktop Mounts.



Max load: 17.5 lb (8 Kg)

### FEATURES

- Creates an ergonomic workstation for laptop use
- Simply attaches to LCT-A1B1C/H and LCT-A1B4C/H models with 4 screws for quick assembly
- Designed with a front edge to prevent laptop from sliding forward
- Ideal for standard laptops
- 17.5 lb (8 kg) load capacity



■ **FRONT EDGE DESIGN**  
Prevents laptop from sliding forward



Shown with LCT-A1B1C model



**RoHS**  
2002/95/EC

## Model Numbers

**WARRANTY:** Limited 5-year

**ACC328:** Laptop tray for LCT-A1B1C/H and LCT-A1B4C/H Desktop Mounts

## Product Specifications

	DIMENSIONS (W x H x D)	PRODUCT WEIGHT	LOAD CAPACITY	FINISH	AVAILABLE COLORS
ACC328	15.12" x 6" x 12.43" (384 x 152 x 316 mm)	4 lb ( 1.81 kg)	17.5 lb (8 kg)	Scratch resistance fused epoxy	Black

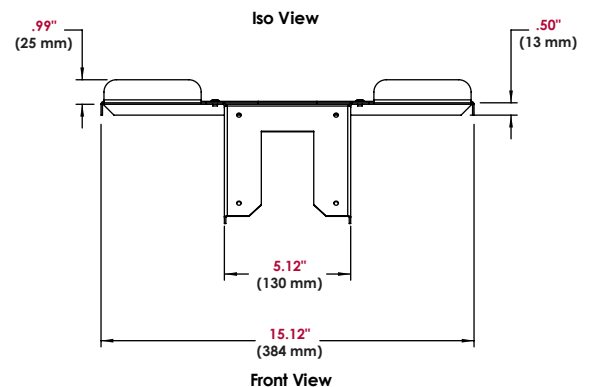
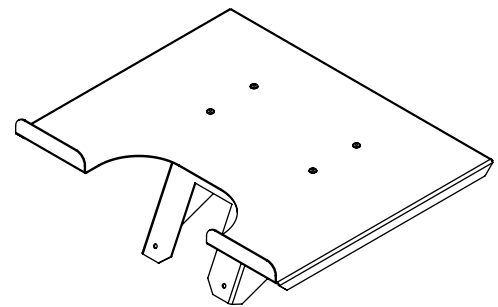
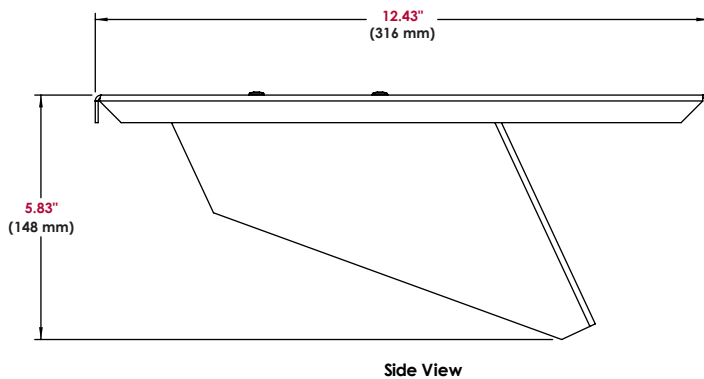
## Package Specifications

	PACKAGE SIZE (L x W x H)	PACKAGE SHIP WEIGHT	PACKAGE UPC CODE	PACKAGE CONTENTS	UNITS IN PACKAGE
ACC328	13.25" x 6.5" x 16" (337 x 165 x 406 mm)	5 lb (2.26 kg)	735029266808	Tray, plastic edge protectors (3) and all necessary attachment hardware	1

## Compatible with:

LCT-A1B1C/H and LCT-A1B4C/H: Desktop Mounts

All dimensions = inch (mm)



## ARCHITECTS SPECIFICATIONS

The Laptop Shelf shall be a Peerless model ACC328 and shall be located where indicated on the plans. The finish shall be scratch resistant black. Assembly and installation shall be done according to instructions provided by the manufacturer.