

IMPORTANT! Read entire instruction sheet before you start installation and assembly.

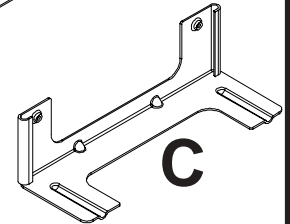
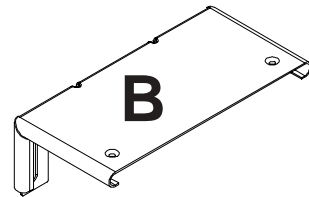
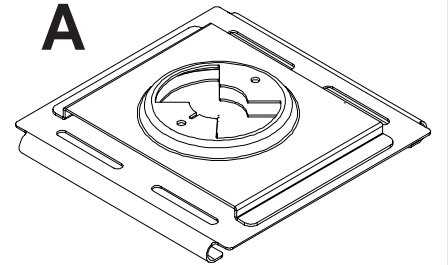
Before you start check the parts list below to make sure all of the parts shown are included.

WARNING

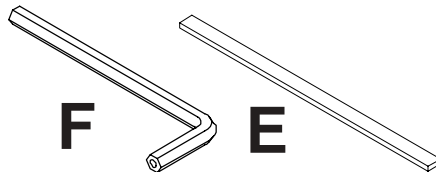
- Installer must verify that the ceiling will safely support four times the combined weight of all attached equipment and hardware.

Parts List

Description	Qty.	PAP 35	PAP 35-S	PAP 35-W
A top plate	1	055-1144	055-4144	055-2144
B horizontal slide	2	054-1128	054-4128	054-2128
C vertical slide	2	054-1129	054-4129	054-2129
D M6 x 1 x 12 mm security screw	8	520-1050	520-2050	520-2050
E foam pad 3/8" x 12.75" x 1/8"	4	599-3802	570-0015	570-0015
F allen wrench 4 mm security	1	560-9646	560-9646	560-9646
G 1/4" flat washer	8	540-9440	540-9444	540-9444
H 1/4" lock washer	8	540-9402	540-9447	540-9447
I #10-32 x .75" socket pin screw	2	510-2128	510-2128	510-2128



PRS MOUNT FASTENERS
Refer to PRS mount instructions for adapter plate attachment.

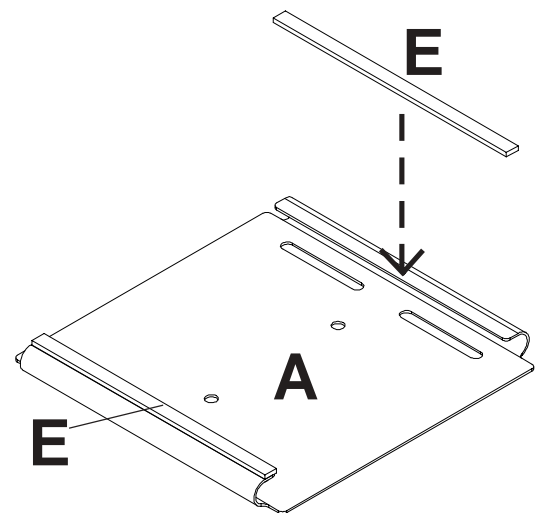
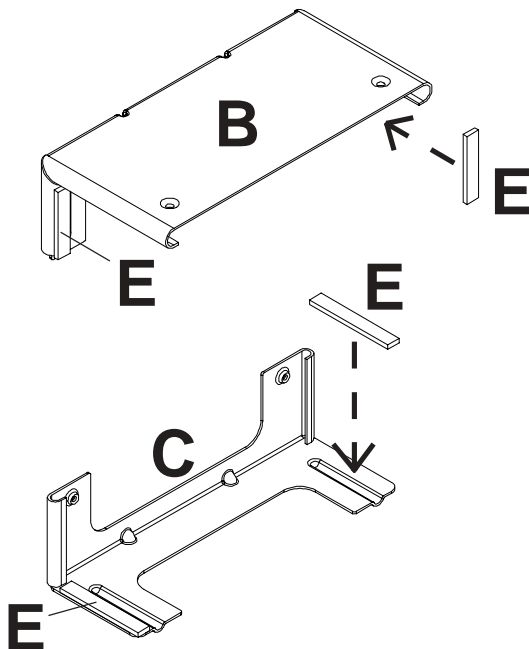


Note: Actual parts may appear slightly different than illustrated.

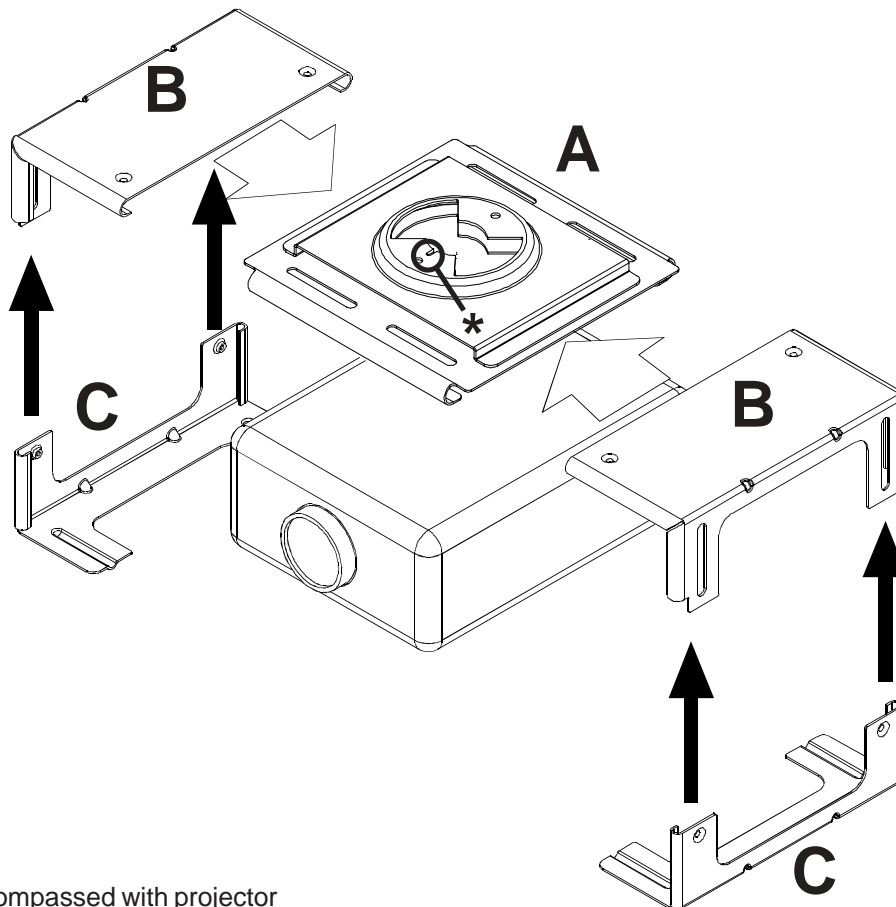
- 1 Cut foam pad (E) to proper length to line Universal projector mount assembly parts (A, B, C) as shown. Peel off sticky back paper from foam pad and attach.

CAUTION

- Before installation, identify the location of all vents and ports on the projector to ensure they will not be obstructed by the universal mount. Blocked vents may cause damage to the equipment.



- 2** **NOTE:** *Notch indicates front.
Connect vertical slides (**C**) to horizontal slides (**B**).
Next attach horizontal slides to top plate (**A**)
wrapping projector mount assembly around
projector.



- 3** Once projector is encompassed with projector
mount assembly, secure with eight screws (**D**)
and washers (**G,H**). Be sure projector is centered
in projector mount. Tighten with allen wrench (**F**).

