

# TECHNICAL DATA SHEET - Universal Projector Security Mount



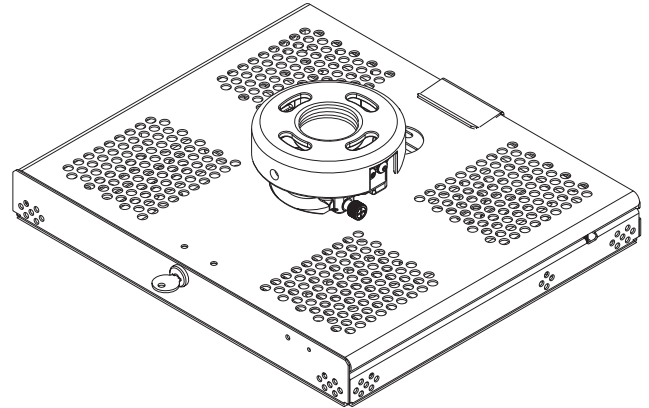
MODEL: PSMU-PRS, PSMU-PRS-S, PSMU-PRS-W



Designed with security in mind, the **PSMU-PRS** offers dual layers of protection for virtually all multimedia projectors. Its key-lock tray design restricts access to the projector attachment hardware and also serves as a visual theft deterrent offering an extra level of security. **PSMU-PRS** includes the PRS UL listed mount for fast and easy installation and precise image alignment.

### Features:

- Dual-levels of security for added theft-deterrence
- Universal tray pattern accommodates most projectors
- Includes PRS mount
- Multiple access holes for versatile cable management
- Easy projector access without compromising mount security
- Available in black, silver or white to match projector or décor
- Multi-axis adjustment points for precise projector alignment
- Tilt +5°/-20°, Roll  $\pm 10^\circ$ , Swivel 360° with extension column (30° swivel when flush mounted)
- Easy cable management access
- Security fasteners at every connection point
- Quick-release features for projector maintenance
- Hinged two-piece tray with slide-out feature enables quick disconnect for projector maintenance



### Dimensions:

For product dimensions, see page 2

### Accessories:

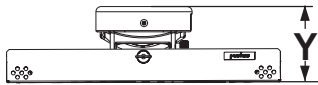
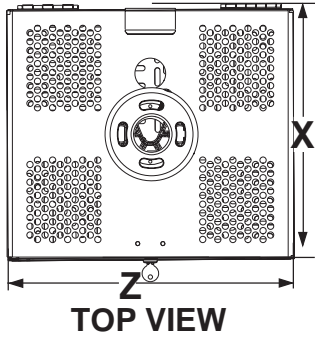
- Ceiling plates (various models available)
- Fixed and adjustable length extension columns
- Cord wrap
- Suspended ceiling kits
- Anti-vibration and stabilizer accessories

### **ARCHITECTS SPECIFICATIONS:**

The projector mount shall be a Peerless Model **PSMU-PRS** and shall be mounted where indicated on the plans. It shall feature 30° ( $\pm 15^\circ$ ) pitch, 30° ( $\pm 15^\circ$ ) roll, and 360° yaw. It shall have a 30 lb load capacity. It shall have a quick release slide out bottom tray for easy removal and installation and maintenance of the projector. It shall feature security screws. It shall be constructed of aluminum and steel finished in black, silver, and white. The tilting mechanism is constructed of aluminum. The main body of the mount shall be 16 gage cold rolled steel which locks into the tilting mechanism and is secured to the aluminum ball joint with a 1/4-20 x 1 1/2" long steel bolt. It shall be capable of holding up to 30 lb at the maximum 15° roll or pitch. Installation and assembly shall be done in accordance with the instructions provided by the manufacturer.

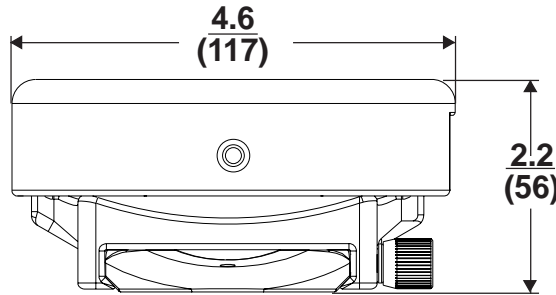
TECHNICAL DATA SHEET

**MODEL: PSMU-PRS, PSMU-PRS-S, PSMU-PRS-W**



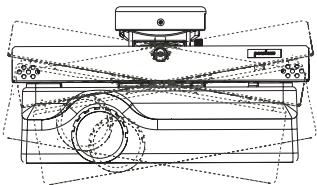
MODEL#	COLOR	CARTON DIMENSIONS	SHIPPING WEIGHT	PRODUCT WEIGHT	DIMENSIONS			MAX LOAD CAPACITY
					X	Y	Z	
PSMU-PRS	Black	15.13 x 15.13 x 7.13 (384 x 384 x 181)	11.5 (5.2)	9.8 (4.4)	12.82 (326)	3.86 (98)	14.25 (362)	25 (11)
PSMU-PRS-S	Silver	5.13 x 15.13 x 7.13 (384 x 384 x 181)	11.5 (5.2)	9.8 (4.4)	12.82 (326)	3.86 (98)	14.25 (362)	25 (11)
PSMU-PRS-W	White	5.13 x 15.13 x 7.13 (384 x 384 x 181)	11.5 (5.2)	9.8 (4.4)	12.82 (326)	3.86 (98)	14.25 (362)	25 (11)

All dimensions shown above as in / (mm). All weights shown as lb / (kg).

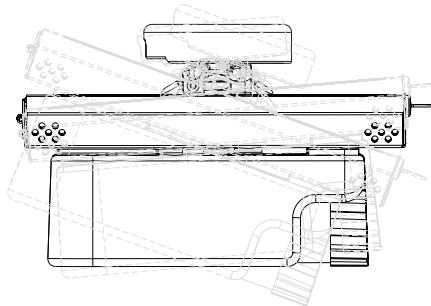


**FRONT VIEW**

20° (±10°) ROLL



25° (+5°-20°) PITCH



360° (±180°) YAW, WHEN ATTACHED TO EXTENSION COLUMN. 30 DEGREES (+/- 15) WHEN FLUSH MOUNTED.

