

Installation and Assembly - Vector Pro™ and PRS Projector Wall Mounts

Models: PWA-14,
PWA-14S,
PWA-14W

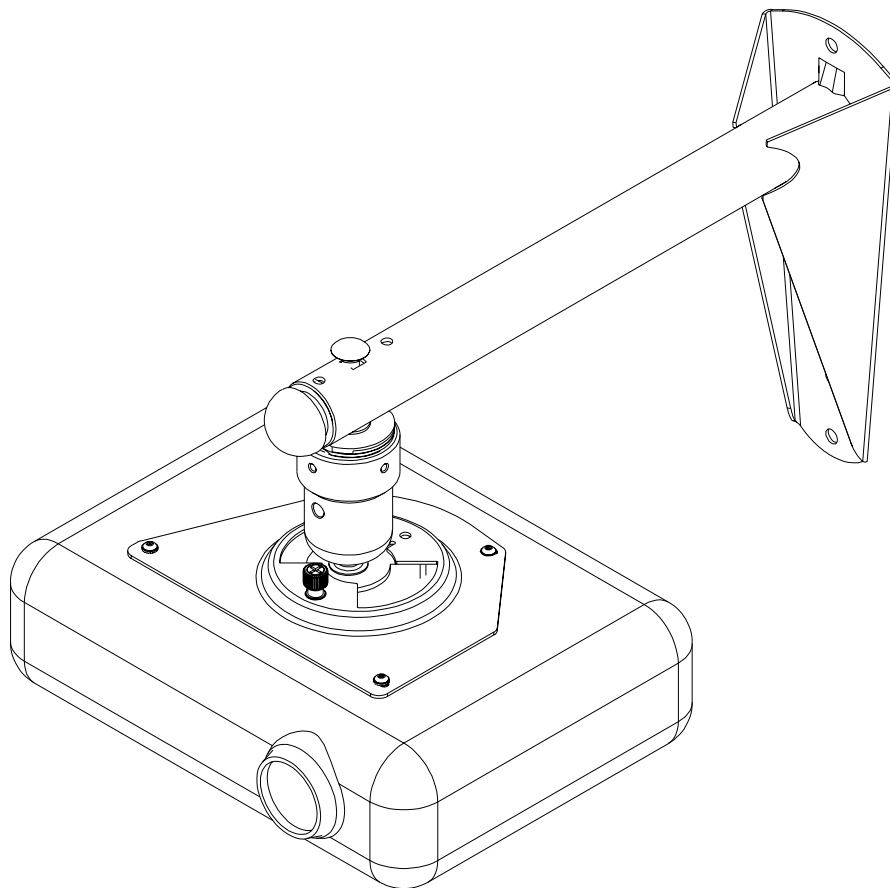
IMPORTANT: Read entire instruction sheet before you start installation and assembly.

IMPORTANT: Certain types of walls require additional mounting hardware...

WALL CONSTRUCTION	ADDITIONAL HARDWARE REQUIRED
Wood Stud, Wood Beam	none
Solid Concrete, Cinder Block, Brick	Concrete Anchor Kit - <i>order accessory kit ACC200 or ACC203.</i>
Metal Stud	Metal Stud Kit - <i>order accessory kit ACC415.</i>
Other or unsure?	Contact customer service.

Max. Load Capacity
50 lb (22.7 kg)

Some of the following tools may be required:
Drill, hammer, socket wrench, pencil, stud finder



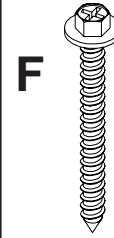
TURN TO THE APPROPRIATE PAGE FOR YOUR INSTALLATION.

Installations:

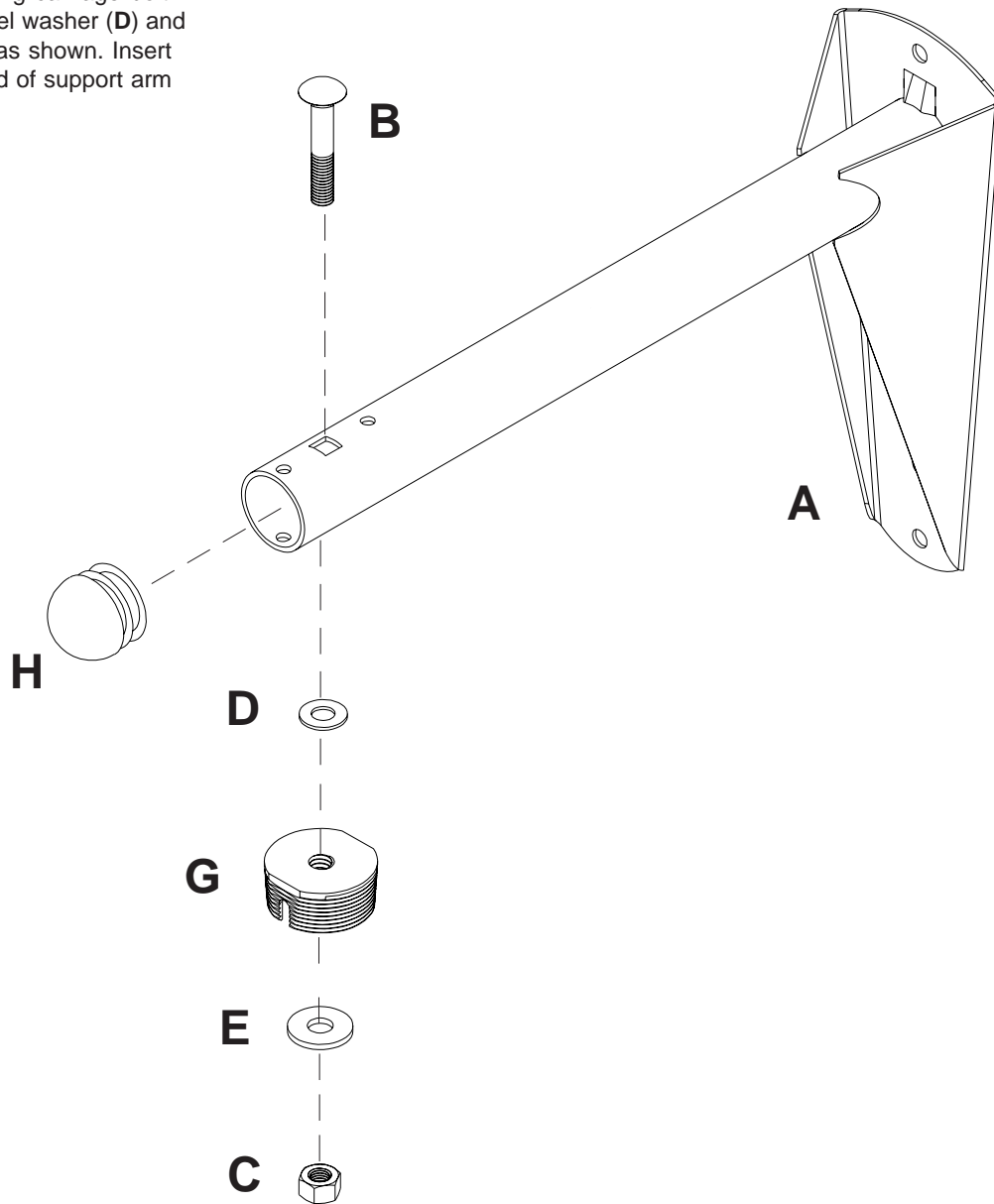
- To Wood Stud Walls..... **step 2, page 3**
- To Concrete Walls.....**step 3, page 4**
- To Metal Stud Walls.....**step 4, page 5**

Parts List				
Model #		PWA-14	PWA-14S	PWA-14W
Description	Qty.	Part #	Part #	Part #
A support arm	1	017-1019	017-4019	017-2019
B carriage bolt	1	520-1046	520-2046	520-2046
C M10 locknut	1	530-9402	530-9404	530-9404
D M10 steel washer	1	540-9407	540-9407	540-9470
E M10 bronze washer	1	540-9441	540-9441	540-9441
F #14 x 2.5 phillips wood screw	2	5S1-015-C03	5S1-015-C04	5S1-015-C04
G threaded rod adapter	1	580-1021	580-4021	580-2021
H end cap	1	590-1014	590-4014	590-1001

Some parts may appear slightly different than illustrated.



- 1** Attach threaded rod adapter (G) to support arm (A) using carriage bolt (B), locknut (C), steel washer (D) and bronze washer (E) as shown. Insert end cap (H) into end of support arm (A) as shown.

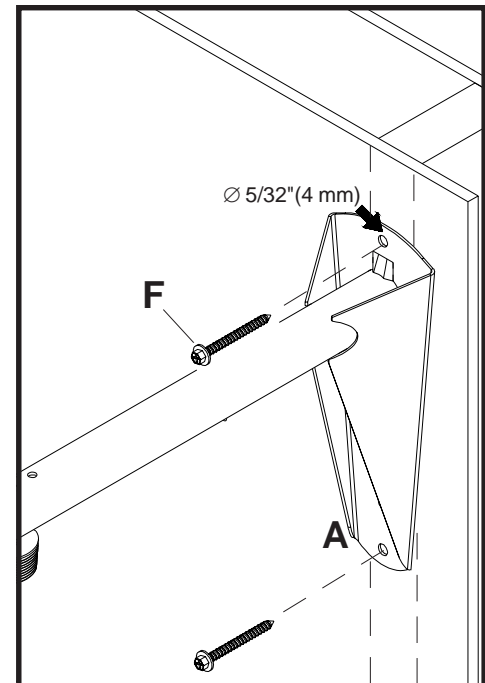
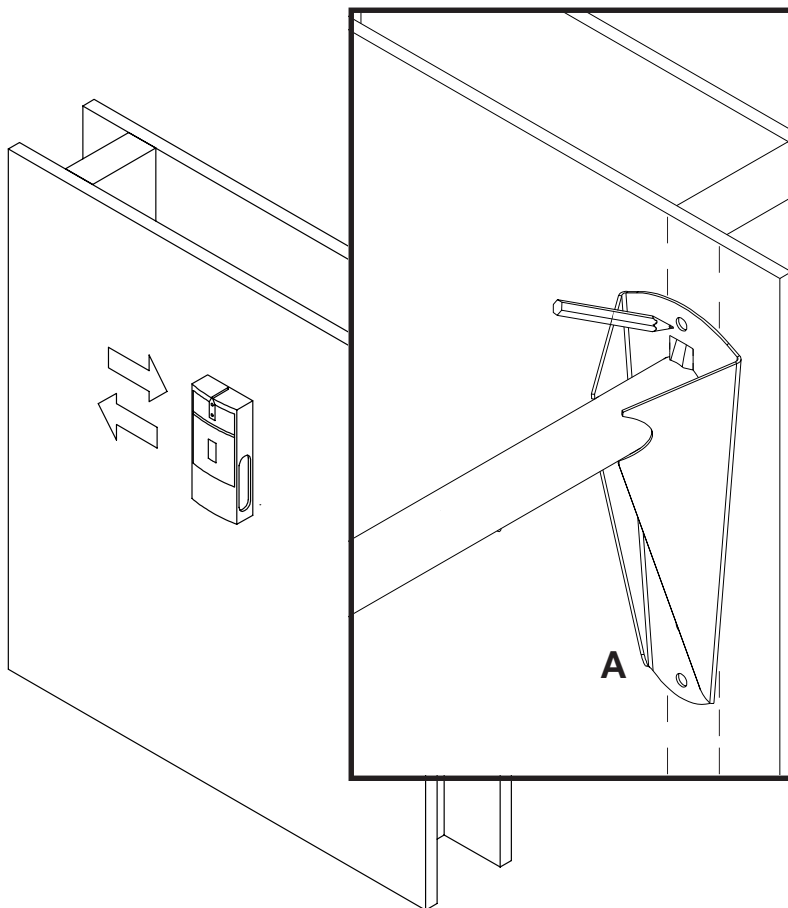
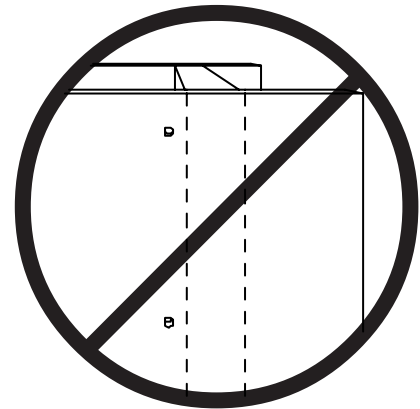
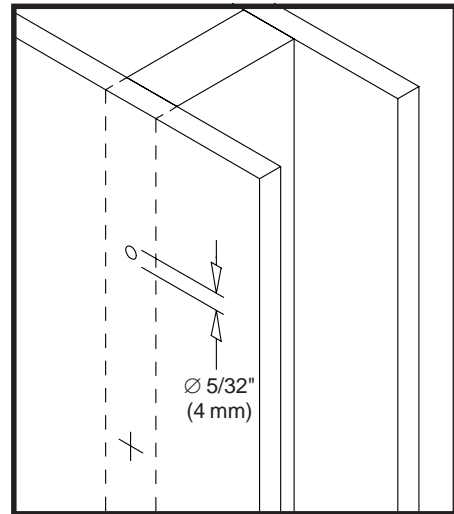


Installation to a wood stud wall

2 Drill two 5/32" (4 mm) dia. holes 2 1/2" (65 mm) deep. Attach wall arm (A) with #14 x 2.5"(6 mm x 65 mm) wood screws (F).

⚠ WARNING

- Tighten wood screws so that wall plate is firmly attached, but do not overtighten. Overtightening can damage the screws, greatly reducing their holding power.
- Never tighten in excess of 80 in • lb (9 N.M.).
- Make sure that mounting screws are anchored into the center of the studs. The use of an "edge to edge" stud finder is highly recommended.



Installation to a concrete wall

⚠ WARNING

- When installing Peerless wall mounts on cinder block, verify that you have a minimum of 1-3/8" of actual concrete surface in the hole to be used for the concrete anchors. Do not drill into mortar joints! Be sure to mount in a solid part of the block, generally 1" minimum from the side of the block. Cinder block must meet ASTM C-90 specifications. It is suggested that a standard electric drill on slow setting is used to drill the hole instead of a hammer drill to avoid breaking out the back of the hole when entering a void or cavity.
- Concrete must be 2000 psi density minimum. Lighter density concrete may not hold concrete anchor.
- Make sure that the wall will safely support four times the combined load of the equipment and all attached hardware and components.

- 3** Drill two 1/4" (6 mm) dia. holes to a minimum depth of 2.5" (64 mm). Attach support arm (A) using concrete anchors (call customer service to order accessory kit **ACC 200** or **ACC203**) and #14 x 2.5" wood screws (F) as shown in **Illustration A** and 1, 2, and 3. Tighten all fasteners.

⚠ WARNING

- Tighten wood screws firmly, but do not overtighten. Overtightening can damage the screws, greatly reducing their holding power.
- Never tighten in excess of 80 in • lb (9 N.M.).

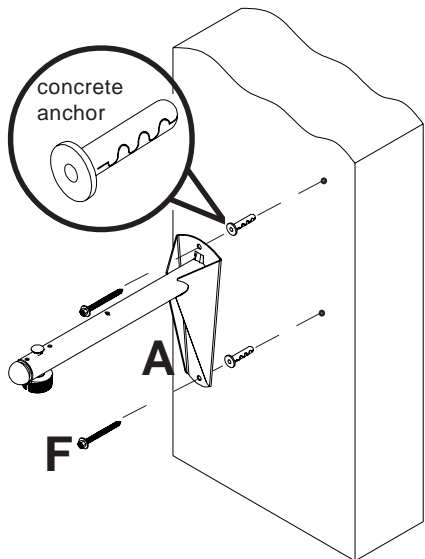
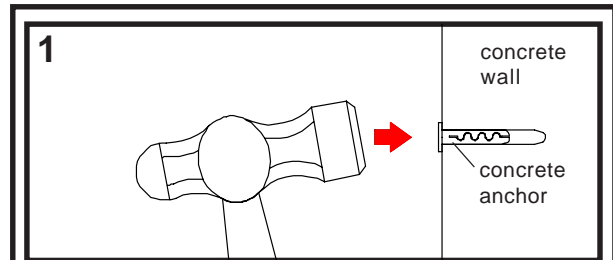


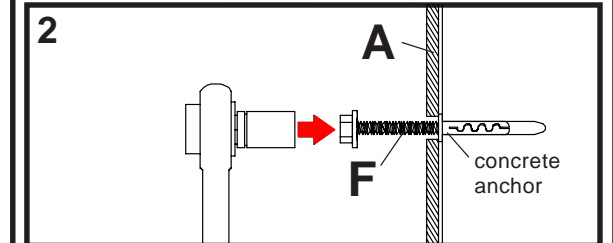
Illustration A

⚠ WARNING

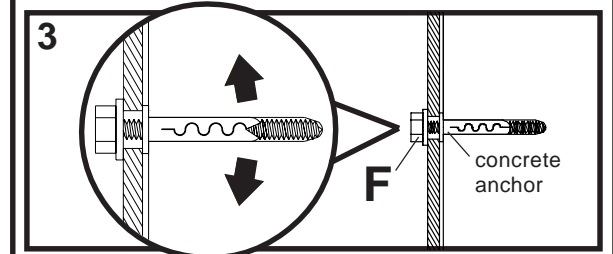
- Concrete anchors are **not** intended for attachment to concrete wall covered with a layer of plaster, drywall, or other finishing material. If mounting to concrete wall covered with plaster/drywall is unavoidable, plaster/drywall (up to 5/8" thick) must be counterbored as shown below. If plaster/drywall is thicker than 5/8", custom fasteners must be supplied by installer.



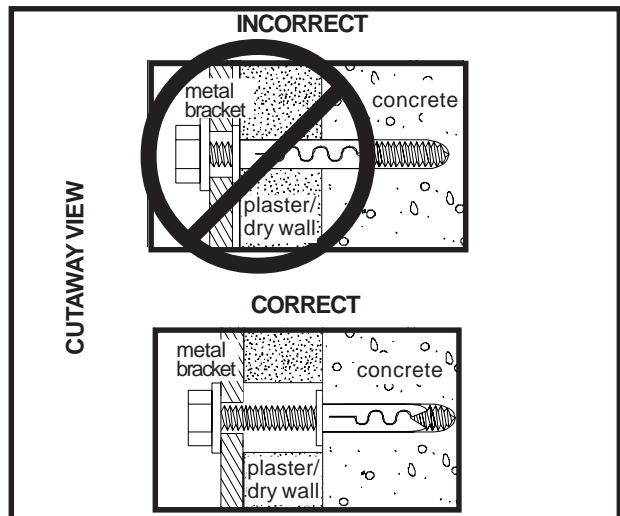
Drill hole and insert anchor



Place wall plate over anchor and secure with screw



After repeating step one tighten all fasteners



Installation to a metal stud wall

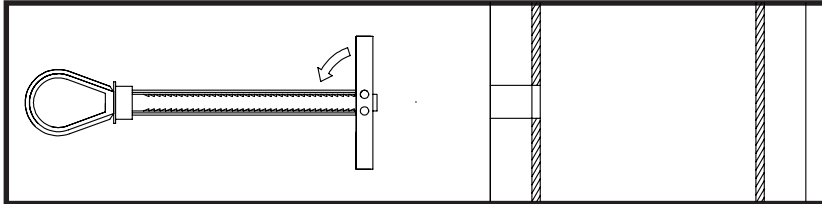
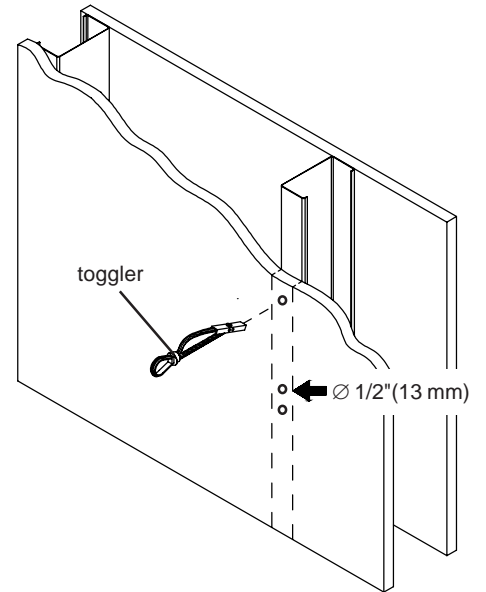
⚠ WARNING

- Product must be mounted through drywall that has a minimum thickness of 1/2" and into metal studs, 26 gauge or heavier.

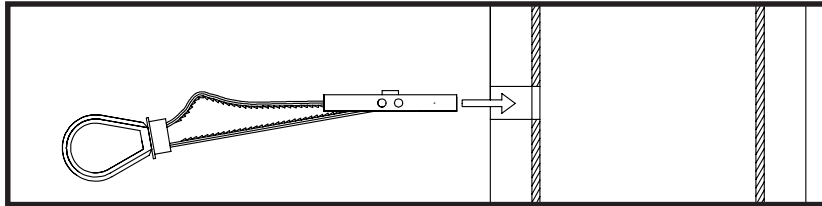
4

Drill 1/2" (13 mm) dia. holes through drywall and stud. Insert togglers (call customer service to order accessory kit **ACC 415**) as follows.

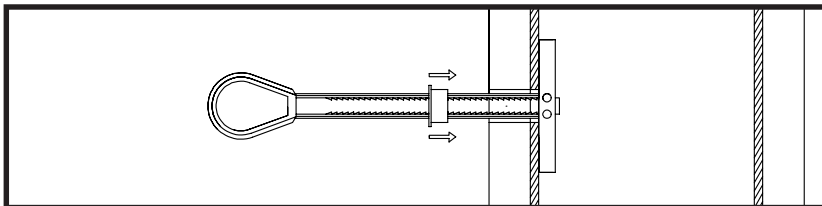
Important: Product must be mounted through drywall that has a minimum thickness of 1/2" and into metal studs, 26 gauge or heavier.



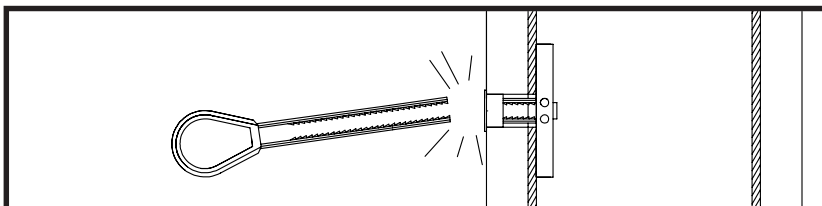
Pivot end of toggler.



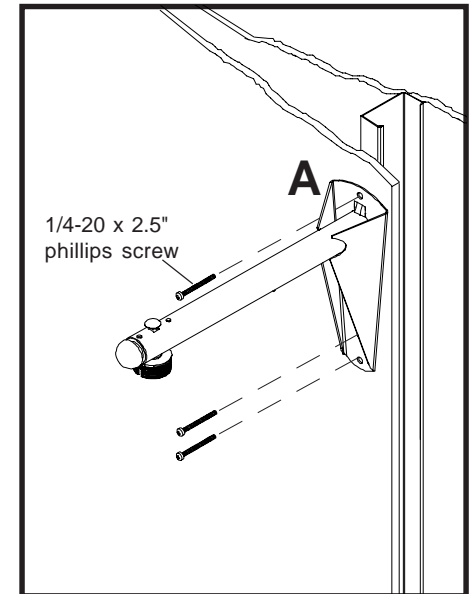
Push into hole.



Slide plastic cap forward while pulling back firmly on ring.



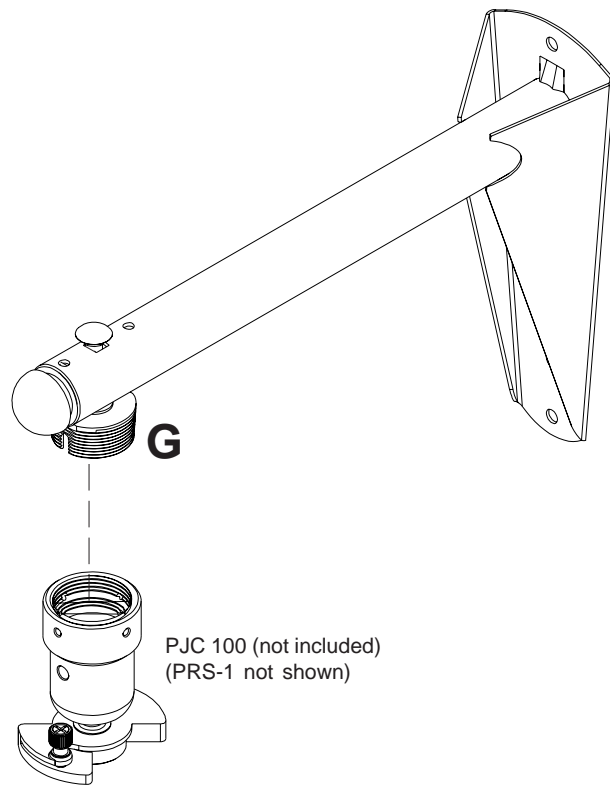
Snap off as shown.



Attach wall arm with 1/4-20 phillips screws.

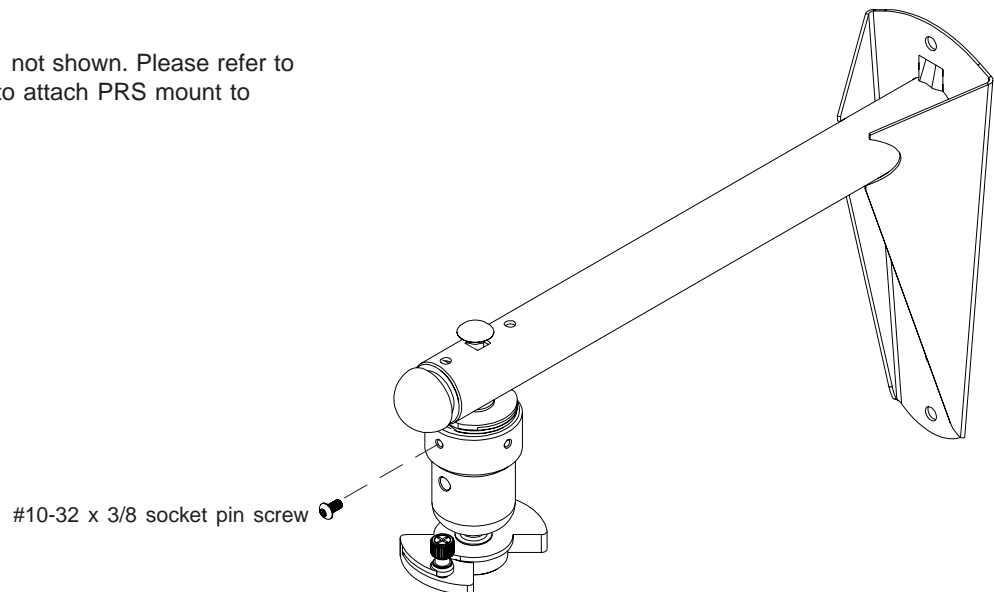
5 Thread projector mount onto threaded rod adapter (**G**) as shown. Note: Make sure the notch in threaded rod adapter (**G**) is aligned with one of the four holes at the top of the PJC 100.

Note: Installation PRS-1 not shown. Please refer to PRS model instructions to attach PRS mount to PWA-14.



6 Secure PJC 100 to threaded rod adapter (**G**) with one #10-32 x 3/8 socket pin screw provided with PJC 100.

Note: Installation PRS-1 not shown. Please refer to PRS model instructions to attach PRS mount to PWA-14.



Refer to PJC 100 or PRS model instructions for attachment of projector.