

PAG-UNV-MU
PAG-MU

Arakno Geared Micro Projector Mount

For Multimedia Projectors up to 25lb (11.3kg)

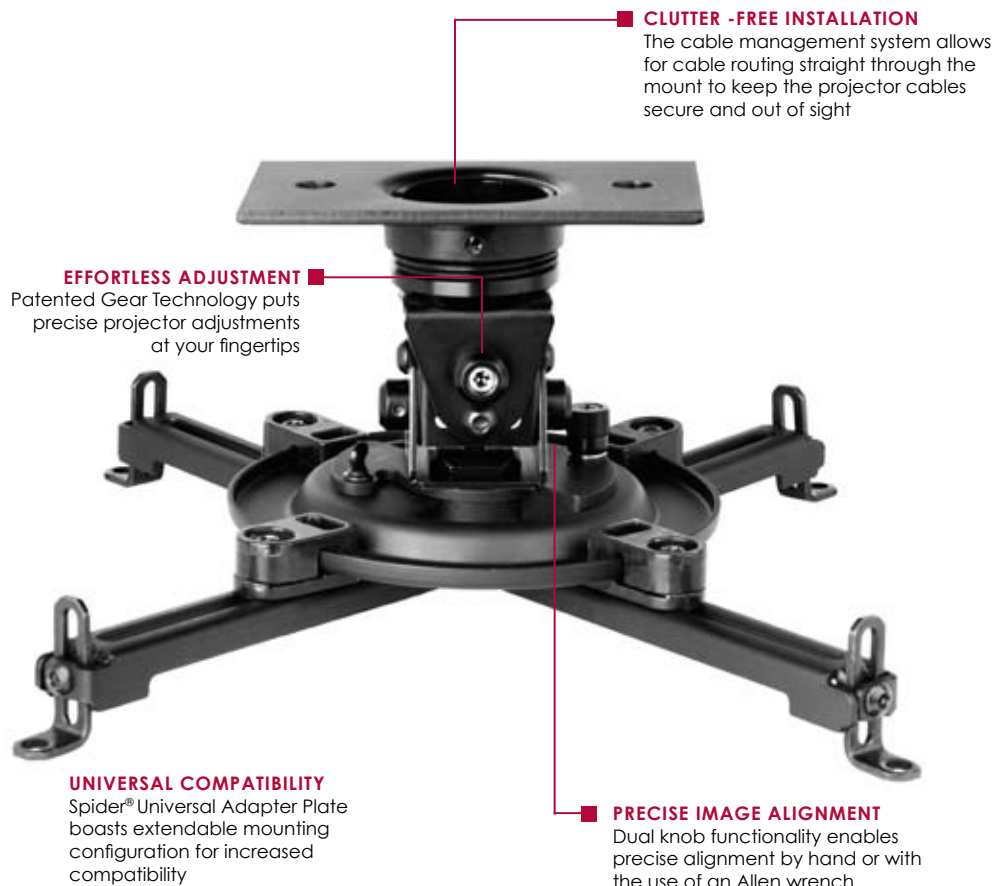
Right out of the box, no other projector mount makes ceiling applications easier than the Arakno Geared Universal Projector Mount from Peerless. Specially designed with superior grip adjustment knobs that put the control of the patented precision gear system in your hands. Just set the mount and forget it. Universal Spider® adapter arms provide maximum compatibility options. Create stunning ceiling applications without the hassle. Choose the Arakno Geared Universal Projector Mount from Peerless.



Max load: 25lb (11.3kg)

FEATURES

- Patented gear technology enables effortless adjustment to achieve precise image alignment
- Dual knobs design provides a hassle-free method for adjusting the gears
- Provides superior range functionality:
 - Tilt: $\pm 25^\circ$
 - Roll: $\pm 25^\circ$
 - Swivel: 360°
- Small and lighter mount, for lighter loads and precision positioning
- Quick-release mechanism to easily service projector



PAG-UNV-MU:	Arakno Geared Micro Projector Mount with Universal Adapter
PAG-UNV:	Arakno Geared Micro Projector Mount

Product Specifications

	DIMENSIONS (W x H x D)	PRODUCT WEIGHT	LOAD CAPACITY	FINISH	AVAILABLE COLORS
PAG-UNV-MU	8.50"-17.63" x 4.29"-5.29" x 8.50"-17.63" (216-448 x 109-134 x 216-448mm)	2.62lb (1.18kg)	25lb (11.3kg)	Scratch resistant fused epoxy	Gloss Black
PAG-MU	3.25" x 3.29" x 2.25" (82.55 x 83.5 x 57.15mm)	0.86lb (0.39kg)			

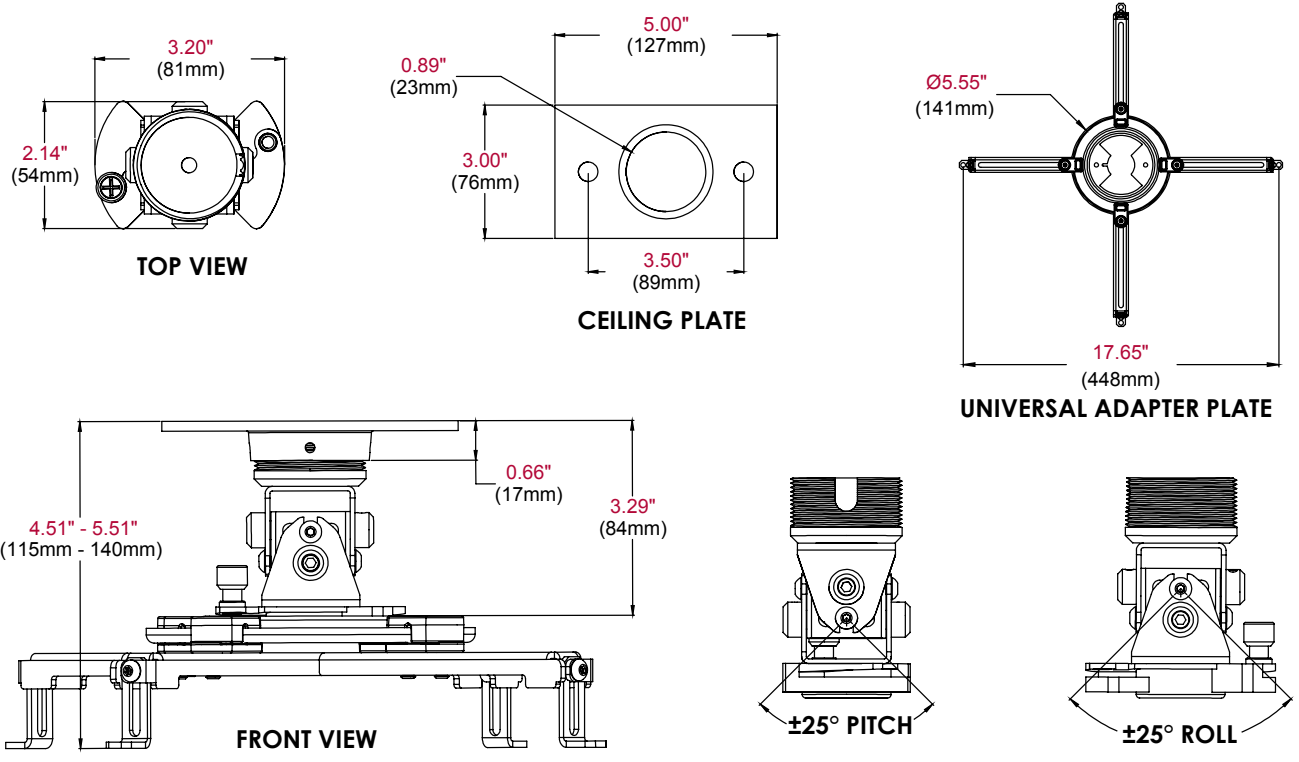
Package Specifications

	PACKAGE SIZE (W x H x D)	PACKAGE SHIP WEIGHT	PACKAGE UPC CODE	PACKAGE CONTENTS	UNITS IN PACKAGE
PAG-UNV-MU	12.50" x 10.13" x 4.25" (317.5 x 257.3 x 107.9mm)	2.62lb (1.18kg)	735029276982	Arakno Projector Mount, Ceiling Plate, Threaded Coupler, Spider® Universal Adapter Plate, Mounting and Projector Attachment Hardware, Assembly Instructions	1
PAG-MU	13.60" x 6.37" x 3.25" (345.4 x 161.7 x 82.5mm)	0.86lb (0.39kg)	735029277002	Arakno Projector Mount, Mounting and Projector Attachment Hardware, Assembly Instructions	

Accessories

CMJ Models, ACC570, ACC571, ACC912:	Ceiling Kits	ACC830:	Side-to-Side Adjuster
ACC840/845:	Anit-Vibration Mount	PWA14 & EXA/B:	Wall Mount Arm
AEC, ALU and EXT Models:	Extension Columns	ACC050:	Stability Kit

All dimensions = inch (mm)



ARCHITECTS SPECIFICATIONS

The mount shall be a Peerless-AV model PAG-UNV-MU, PAG-MU and shall be located where indicated on the plans. The finish shall be scratch resistant black aluminum. Assembly and installation shall be done according to instructions provided by the manufacturer.