

PSTA-600
PSTA-1200
PSTA-1600

Short Throw Projector Mounts

For projectors up to 25lb (11.3kg)

The PSTA series projector short throw kit is easily adjustable to accommodate ultra-short and short throw projector distance requirements and includes the Peerless-AV Universal PRS Projector Mount that makes image alignment easy with three axis of adjustment enabling precise image alignment.



Max load: 25lb (11.3kg)

FEATURES

- Aluminum alloy telescoping arm with lock down slot
- Fully integrated cable management system conceals and protects cables for a clean finish
- Kitted with Peerless-AV PRS projector mount offering:
 - +5/-20° Tilt
 - 360° Swivel
 - ±10° of Roll
- Variable extension options:
 - PSTA-600: 425-600mm
 - PSTA-1200: 755-1200mm
 - PSTA-1600: 1155-1600mm
- Fast and easy to install

UNIVERSAL COMPATABILITY

Three models and three different lengths to cover all short throw projectors



PSTA-600 shown

INTERNAL CABLE MANAGEMENT

Cable management access holes to route cables for a clean installation

ALL -IN-ONE SOLUTION

Kitted with Peerless-AV® Universal PRS



Cable Management



RoHS
2002/95/EC

Model Numbers

| | |
|------------------|--|
| PSTA-600 | Short Throw Projector Mount with arm length up to 23.62" (600mm) |
| PSTA-1200 | Short Throw Projector Mount with arm length up to 47.2" (1200mm) |
| PSTA-1600 | Short Throw Projector Mount with arm length up to 63" (1600mm) |

Product Specifications

| | DIMENSIONS (W x H x D) | PRODUCT WEIGHT | LOAD CAPACITY | FINISH | AVAILABLE COLORS |
|------------------|--|-----------------------|----------------------|-----------------------------|-------------------------|
| PSTA-600 | 25.0" x 9.6" x 10.6" (635 x 244 x 271mm) | 8.5lb (3.8kg) | 25lb (11.3kg) | Aluminum alloy, powder coat | Silver and Black |
| PSTA-1200 | 48.6" x 9.6" x 10.6" (1235 x 244 x 271mm) | 12.5lb (5.6kg) | | | |
| PSTA-1600 | 64.37" x 9.6" x 10.6" (1635 x 244 x 271mm) | 15.5lb (7.0kg) | | | |

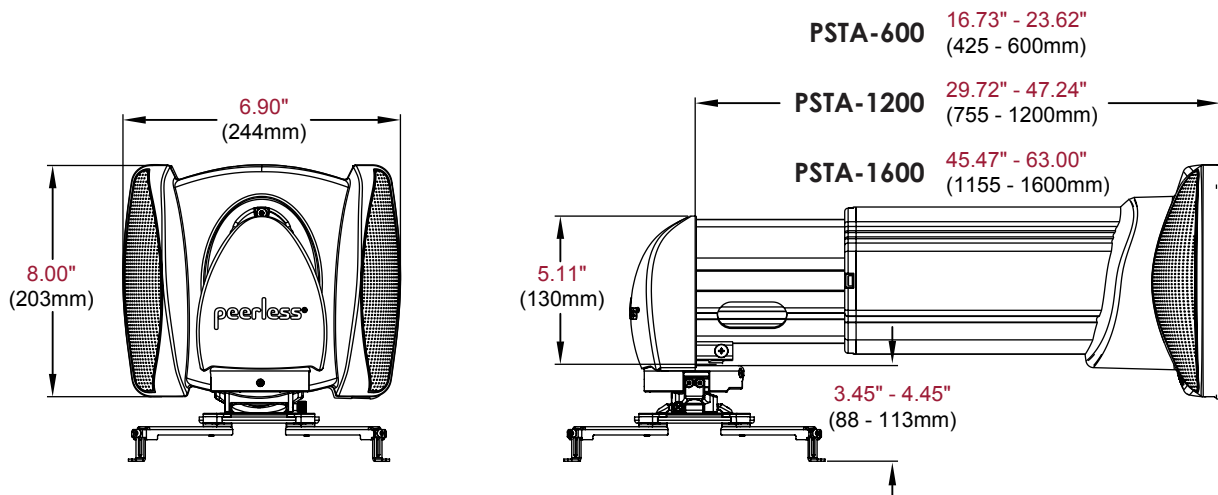
Package Specifications

| | PACKAGE SIZE (L x W x H) | PACKAGE SHIP WEIGHT | PACKAGE UPC CODE | PACKAGE CONTENTS | UNITS IN PACKAGE |
|------------------|--|----------------------------|-------------------------|---|-------------------------|
| PSTA-600 | 20.7" x 10.1" x 11.0" (526 x 254 x 279mm) | 10.5lb (4.7kg) | 735029275749 | Short throw arm, end cap, PRS-UNV, installation hardware, assembly instructions | 1 |
| PSTA-1200 | 32.5" x 10.1" x 11.0" (825 x 254 x 279mm) | 14.5lb (6.5kg) | 735029275756 | | |
| PSTA-1600 | 40.5" x 10.1" x 11.0" (1029 x 254 x 279mm) | 17.5lb (7.9kg) | 735029275763 | | |

Accessories

| | |
|----------------|--------------------------|
| ACC020: | Projector Security Cable |
|----------------|--------------------------|

All dimensions = **inch** (mm)



ARCHITECTS SPECIFICATIONS

The Short Throw Projector Mounts shall be Peerless-AV models PSTA-600, PSTA-1200 and PSTA-1600. Assembly and installation shall be done according to instructions provided by the manufacturer.