

Pedestal Mount

For 32" to 50" LCD and Plasma Screens



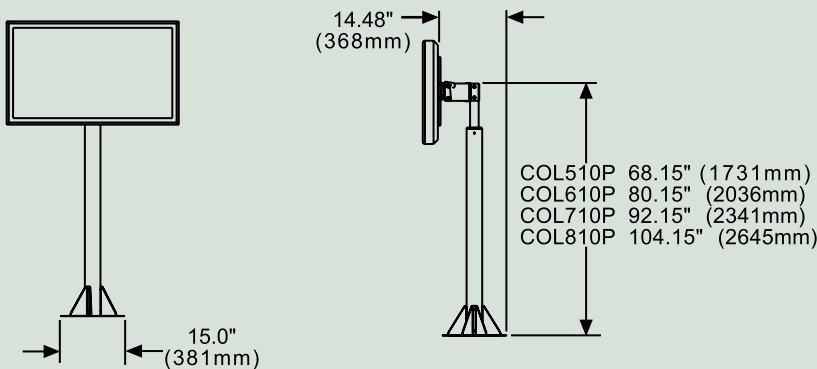
- Choice of 5', 6', 7' or 8' pedestal height
- 15° forward tilt for viewing flexibility
- 360° swivel with swivel stop
- Screen can be changed from landscape to portrait orientation without screen removal
- Internal cord management
- Concrete floor anchors included

* Includes theft resistant hardware for attaching screen to mount

** Dedicated adapter plates come in flat black and include security fasteners



Requires screen-specific adapter to be purchased separately



MODELS

DEDICATED MODELS:

Security Fasteners*

Screen Adapter Purchased Separately**

COL510P	5 feet	Black
COL610P	6 feet	Black
COL710P	7 feet	Black
COL810P	8 feet	Black



SCREEN ADAPTER

DEDICATED MODELS:

Requires screen-specific adapter to be purchased separately

SPECIFICATIONS

DIMENSIONS:	(W x H x D)
COL510P:	15" x 68.15" x 14.48" (38.1 x 173.1 x 36.8 cm)
COL610P:	15" x 80.15" x 14.48" (38.1 x 203.6 x 36.8 cm)
COL710P:	15" x 92.15" x 14.48" (38.1 x 234.1 x 36.8 cm)
COL810P:	15" x 104.15" x 14.48" (38.1 x 264.5 x 36.8 cm)

TILT: 15°

SWIVEL: 360°

MAX LOAD: 150 lb (68 kg)

SHIP WEIGHT:

COL510P:	Box 1: 16.40 lb (7.42 kg) Box 2: 25.20 lb (11.44 kg)
COL610P:	Box 1: 19.15 lb (8.65 kg) Box 2: 25.20 lb (11.44 kg)
COL710P:	Box 1: 23.25 lb (11.50 kg) Box 2: 25.20 lb (11.44 kg)
COL810P:	Box 1: 26.15 lb (11.86 kg) Box 2: 25.20 lb (11.44 kg)

MOUNTING

SURFACES: Concrete



ACCESSORIES

pg#

ACC833: Equipment Accessory Shelf 153