

SA752PU

# SmartMount® Articulating Wall Arm For 32" to 52" Flat Panel Screens

From any angle, this wall arm mount reflects remarkable form and function. Extending the flat panel screen up to 27.43" (697mm) from the wall and allowing for a full 180° of side-to-side motion for perfect view positioning of screens up to 52". Fine-tuning of the installation is simple with its side-to-side screen leveling and 1" (25mm) of vertical adjustment features that help achieve perfection. This articulating arm also provides screen centering on the wall plate and integrates a desirable cable management system, centering the flat panel on the wall when retracted and organizing and protecting the cables. Designed and built in the USA, this mount maintains the same brilliant look as the entire SmartMount® 700 Series line of Articulating and Pivot Wall Arm Mounts.



## FEATURES

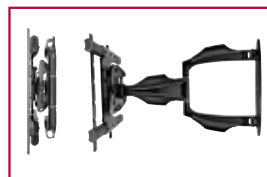
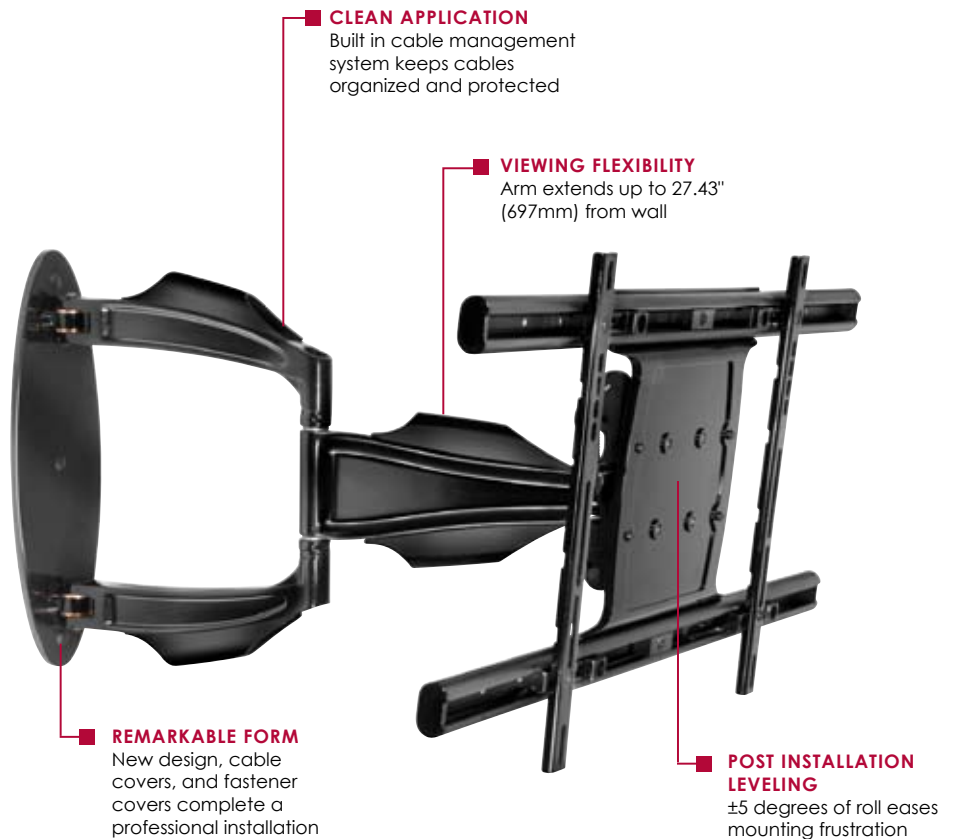
- Universal design provides compatibility for 32" to 52" (81-132cm) flat panel screens with mounting patterns up to 27" x 17.29" (686 x 439mm)
- Screen can be held as close to the wall as 4.43" (113mm) or be extended as far as 27.43" (697mm)
- Integrated cable management contains, protects and conceals cables for a clean clutter-free look
- One-touch tilt allows for +15°/-5° without the use of tools for easy viewing angle adjustment
- Multi-link construction allows for a full 180° range of motion
- Screen can be swiveled a full 90°
- ±5° of roll allows for post installation leveling
- Screen can be rotated from portrait to landscape without removing the screen for easy orientation changes
- 1" (25mm) vertical adjustment for screen position fine tuning



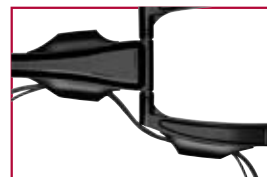
Screen size: 32"-52" (81-132cm)



Max load: 90lb (41kg)



Arm retracts to just 4.43" (113mm) and extends up to 27.43" (697mm) from wall



1" (25mm) clearance per channel for clean and simple cable management



1" (25mm) of vertical adjustment for post-installation fine tuning



RoHS

MADE IN USA

**SA752PU** Articulating Wall Arm for 32" to 52" ( 81-132cm) Flat Panel Screens

**Product Specifications**

	<b>DIMENSIONS (W x H x D)</b>	<b>PRODUCT WEIGHT</b>	<b>LOAD CAPACITY</b>	<b>FINISH</b>	<b>AVAILABLE COLORS</b>
<b>SA752PU</b>	28.68" x 18" x 4.43"-27.43" (728 x 457 x 113-697mm)	33lb (15kg)	90lb (41kg)	Scratch resistant fused epoxy	SA752PU: Gloss Black

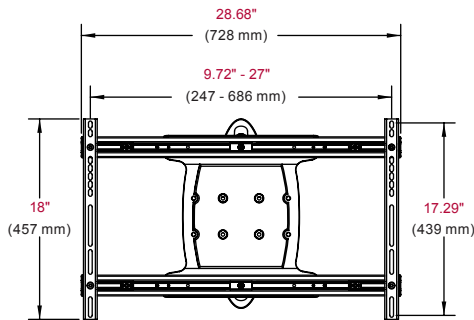
**Package Specifications**

	<b>PACKAGE SIZE (W x H x D)</b>	<b>PACKAGE SHIP WEIGHT</b>	<b>PACKAGE UPC CODE</b>	<b>PACKAGE CONTENTS</b>	<b>UNITS IN PACKAGE</b>
<b>SA752PU</b>	35.75" x 21.25" x 5.625" (908 x 540 x 143mm)	38lb (17.3kg)	SA752PU: 735029266563	Mount, wall and screenattachment hardware, installation instructions	1

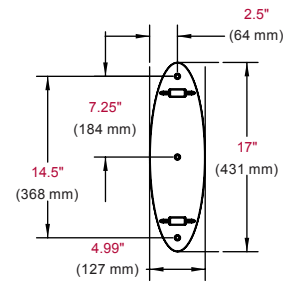
**Accessories**

<b>ACC925:</b>	Security Fastener Pack
----------------	------------------------

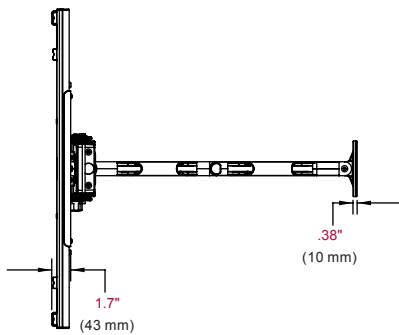
All dimensions = inch (mm)



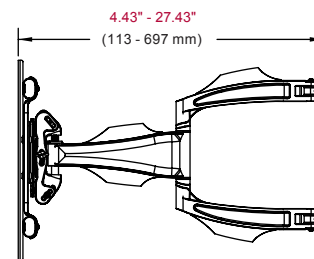
**FRONT VIEW**



**WALL PLATE DETAIL**



**TOP VIEW**



**SIDE VIEW**

**ARCHITECTS SPECIFICATIONS**

The SmartMount Articulating Wall Mount shall be a Peerless model SA752PU and shall be located where indicated on the plans. It shall feature scratch resistant black or silver fused epoxy finish. Assembly and installation shall be done according to instructions provided by the manufacturer.