

# TECHNICAL DATA SHEET - **SmartMount**® Universal Tilt Wall Mount for 23" to 46"\*

# peerless®

**MODELS:** RTFPT-220, RTFPT-220S, ST640,  
ST640-S, ST640P, ST640P-S,  
D-FPT-220, D-FPT-220S



Medium sized screens are installed faster than ever with the new ST640. Its open wall plate architecture offers screen placement flexibility and easy access to electrical and cable management. Its exclusive pre-tensioned universal tilt screen adapters deliver the ultimate ease in horizontal screen adjustment and viewing angle flexibility.

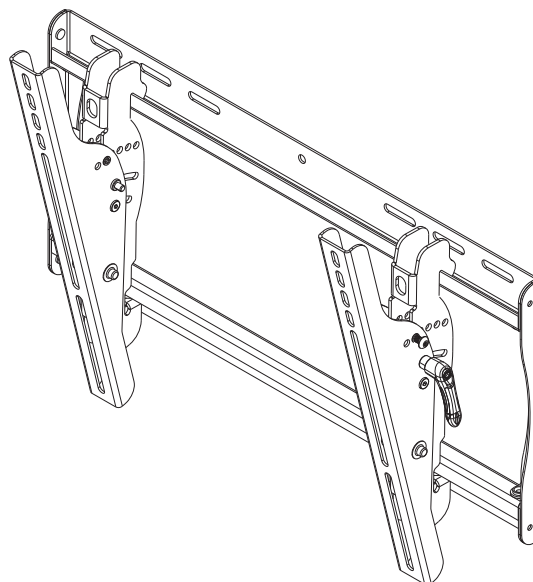
### **Features:**

- Universal mount fits screens with mounting patterns up to 18" W x 12.94" H
- Open wall plate architecture allows for total wall access, increasing electrical access and cable management options
- Adjustable up to 15° of forward tilt and -5° backward tilt for optimal viewing angle
- Pre-tensioned universal tilt screen adapters allow for tilt adjustment without the use of tools
- Easy-grip lever locks the screen position into place
- Optional IncreLock™ feature offers fixed angles of -5°, 0°, 5°, 10° or 15°
- Horizontal screen adjustment of up to 6" (depending on screen model) for perfect screen placement
- Universal screen adapters easily hook onto wall plate for fast installation
- Mounts to wood studs, concrete, cinder block or metal studs (metal stud accessory required)
- Comes with Peerless' Sorted-for-You™ fastener pack with all necessary screen attachment hardware
- Integrated security options available

### **Accessories:**

- Metal Stud Fastener Kit (ACC 415)
- Video Conferencing (ACC 309)
- Accessory Shelves (PM 600, PM610)

**\*NOTE:** Most 42" and larger plasma screens may not work with this mount. Use Mount Finder to confirm compatibility



### **Dimensions**

#### **Weight:**

**ST640, ST640-S** - 7.235 lb (3.29 kg)  
**ST640P, ST640P-S** - 7.265 lb (3.3 kg)

#### **Shipping weight:**

**ST640, ST640-S** - 8.47 lb (3.85 kg)  
**ST640P, ST640P-S** - 8.5 lb (3.9 kg)

#### **Maximum Load Capacity:**

150 lb (68 kg)

#### **Shipping Carton dimensions:**

**ST640, ST640-S**

**L=** 21.125 in (537 mm)

**W=** 10.125 in (258 mm)

**H=** 3.5 in (89 mm)

**ST640P, ST640P-S**

**L=** 20.375 in (518 mm)

**W=** 10.063 in (256 mm)

**H=** 3.5 in (89 mm)

### ARCHITECTS SPECIFICATIONS

The SmartMount® Universal Tilt Wall Mount shall be a Peerless model \_\_\_\_\_ and shall be located where indicated on the plans. It shall feature adjustable 15° of forward tilt and -5° backward tilt. It shall include hardware for installation to wood studs, concrete and cinder block. Assembly and installation shall be done according to instructions provided by the manufacturer.

**Peerless Industries, Inc.**

3215 W. North Ave. Melrose Park, IL 60160  
708-865-8870 800-865-2112 Fax 708-865-2941

[www.peerlessmounts.com](http://www.peerlessmounts.com)

**ISSUED: 04-12-05 SHEET NO: 202-9510-7 04-24-08**

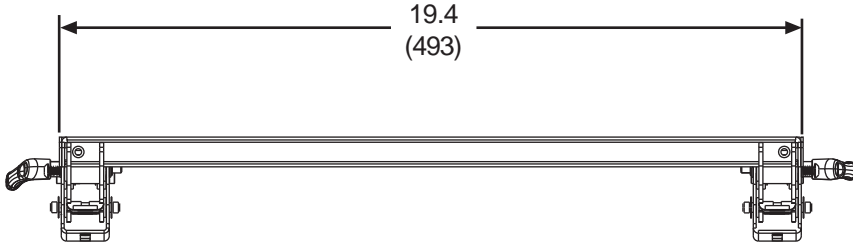
©2008, Peerless Industries, Inc. All rights reserved.

All other brand and product names are trademarks or registered trademarks of their respective owners.

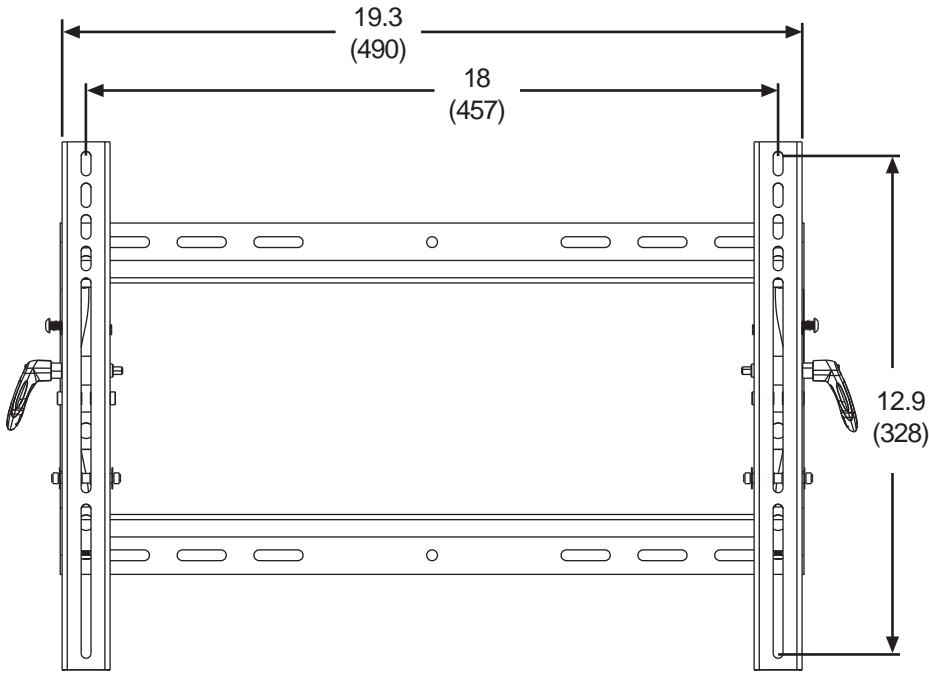
TECHNICAL DATA SHEET

**MODELS: RTFPT-220, RTFPT-220S, ST640, ST640-S, ST640P, ST640P-S, D-FPT-220, D-FPT-220S**

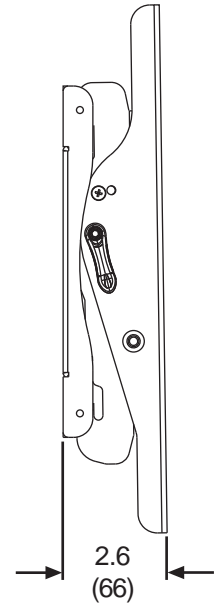
All Dimensions =  $\frac{\text{in}}{\text{(mm)}}$



**TOP VIEW**



**FRONT VIEW**

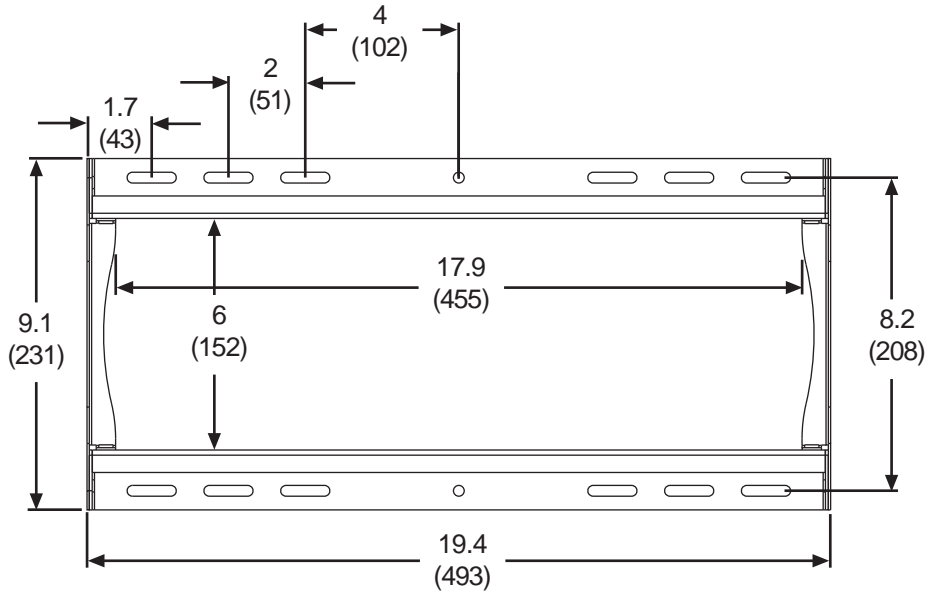


**SIDE VIEW**

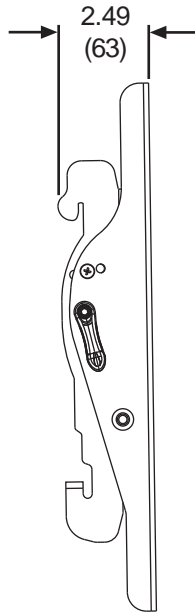
TECHNICAL DATA SHEET

**MODELS: RTFPT-220, RTFPT-220S, ST640, ST640-S, ST640P, ST640P-S, D-FPT-220, D-FPT-220S**

All Dimensions =  $\frac{\text{in}}{\text{(mm)}}$



**WALL PLATE DETAIL**



**ADAPTER BRACKET DETAIL**