

TECHNICAL DATA SHEET - **SmartMount™**

Universal Flat Wall Mount for 32"
to 60" Flat Panel Screens

peerless®
Solid Solutions - Solid Support™

**MODELS: D-FPF-320, D-FPF-320S,
SF 660P, SF 660P-S**

oshpd c 

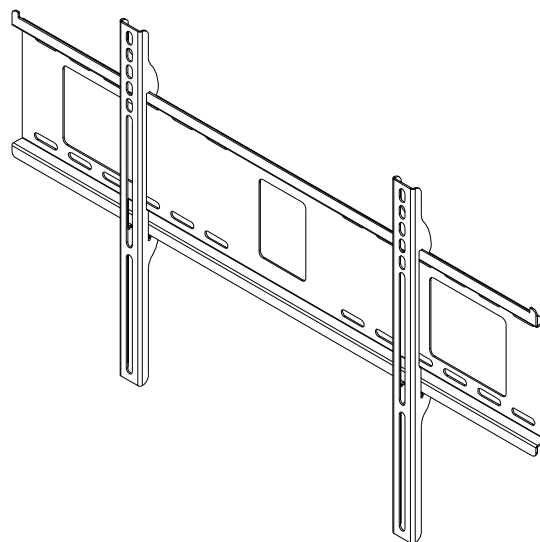
The Smartmount Universal Flat Wall Mount supports virtually any 32" to 60" LCD or plasma screen. The ultra-slim wall plate keeps the screen close to the wall for a very discreet installation that is perfect for living rooms, bedrooms, or home theaters. The mount includes simple to align universal brackets and a unique wall plate that can be mounted to two wood studs up to 24" apart, concrete, or cinder block. Includes a Sorted-For-You™ baffle pack with all screen hardware and security fasteners.

Features:

- Colors: silver or black
- Universal mount fits virtually any 32" to 60" LCD or plasma screen
- Slim design holds screen close up against the wall (1.18")
- Comes with additional brackets to accommodate screens with an offset or built-in component box on the back
- Screen simply hooks onto the wall plate for quick and easy installation
- Optional horizontal adjustment of up to 12" (depending on screen model)
- Includes hardware for installation to wood studs, concrete, and cinder block
- Screen-specific models also available

Accessories:

- Metal Stud Fastener Kit (ACC 415)
- Video Conferencing Shelf (ACC 309)
- Accessory Shelves (DS600)



Dimensions:

Weight:
9.26 lb (4.2 kg)

Shipping weight:
11.36 lb (5.2 kg)

Maximum Load Capacity:
200 lb (90.7 kg)

Shipping Carton dimensions:
L= 32.5 in (826 mm)
W= 8.5 in (216 mm)
H= 4.5 in (114 mm)

ARCHITECTS SPECIFICATIONS

The Smartmount Universal Flat Wall Mount shall be a Peerless model _____ and shall be located where indicated on the plans. It shall be constructed of heavy gauge steel. The finish shall be scratch resistant black or silver fused epoxy. Assembly and installation shall be done according to instructions provided by the manufacturer.

Peerless Industries, Inc.
3215 W. North Ave. Melrose Park, IL 60160
708-865-8870 800-865-2112 Fax 708-865-2941
www.peerlessmounts.com

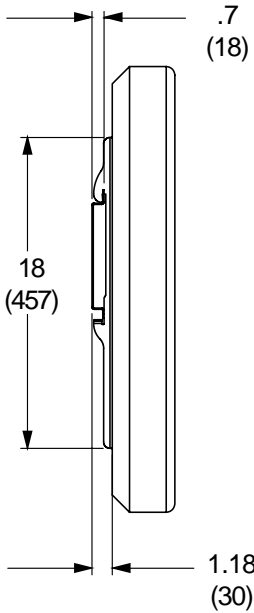
ISSUED: 04-12-05 SHEET NO: 201-9701-6 09-11-06

©2006 Peerless Industries, Inc. All rights reserved.
Peerless is a registered trademark and Smart mount and Sorted-For-You are trademarks of Peerless Industries, Inc.
All other brand and product names are trademarks or registered trademarks of their respective owners.

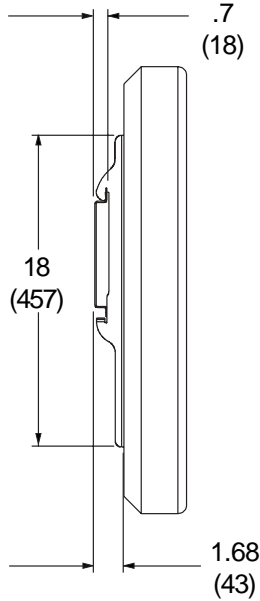
TECHNICAL DATA SHEET

MODELS: D-FPF-320, D-FPF-320S, SF 660P, SF 660P-S

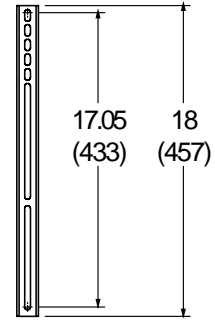
ALL DIMENSION = INCH
(MM)



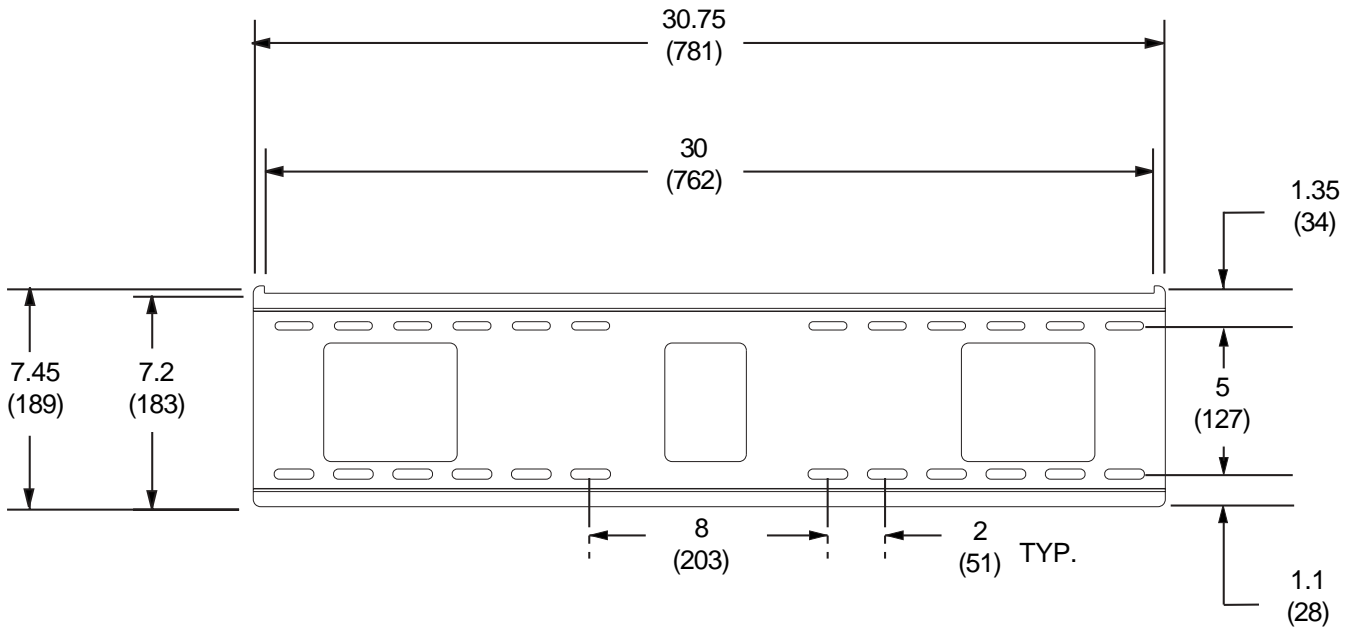
**SIDE VIEW
WITH SHALLOW
BRACKET**



**SIDE VIEW
WITH DEEP
BRACKET**



**BRACKET
DETAIL**



WALL PLATE DETAIL