

EWMU(-S)

Wind Rated Tilt Wall Mount for 32" to 65" Outdoor Flat Panel Displays

Peerless' Wind Rated Outdoor TV Mount is tough enough to handle rough weather, but it's still remarkably quick to install with its hook-and-hang design. Wind rated up to 110mph, it's constructed from heavy gage steel, and sealed with corrosion resistant E-Coat. Complete with stainless steel tamper resistant hardware that is Sorted-For-You™ for simplified installation to wood studs, concrete or cinder block. It's the mount designed to hold an outdoor TV in any environment.



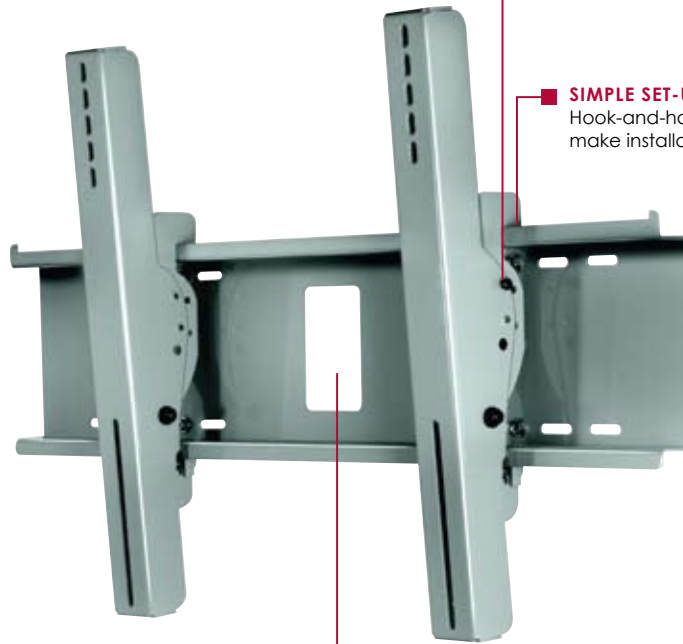
Screen size: 32"-65"



Max load: 200lb (90.7kg)

FEATURES

- Universal mounting pattern – 28.39"W x 17.67"H (721 x 449mm) VESA® up to 600 x 400mm
- Wind rated up to 110 mph, elevation 200ft (60m), Category "D"
- Fixed incremental tilt with angle settings at 0°, 2°, 5°, 10° or 15°
- Hook-and-hang design for simplified installation
- Up to 8" of horizontal positioning



■ **VIEWING ANGLE FLEXIBILITY**
Incremental tilt settings enable the best viewing angle

■ **SIMPLE SET-UP**
Hook-and-hang design helps make installation quick and easy

■ **CABLE MANAGEMENT**
Allows for power outlet installation or cable pass through from outer wall to inside power source



Adjustable tilt can easily be set up to 15° forward and 5° back



Model Numbers

EWMU(-S): Wind Rated Tilt Wall Mount for 32" to 65" Outdoor Flat Panel Displays

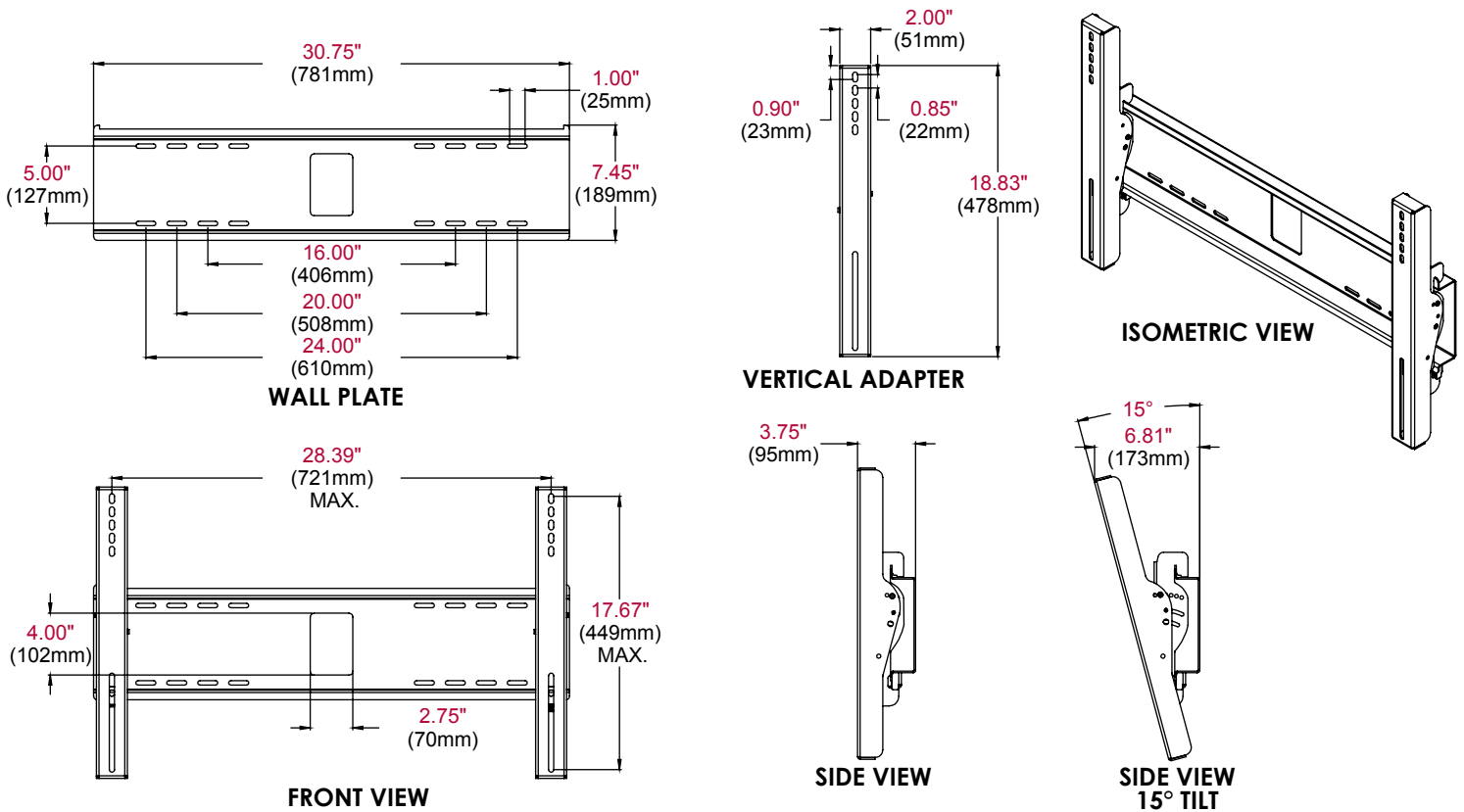
Product Specifications

	DIMENSIONS (W x H x D)	PRODUCT WEIGHT	LOAD CAPACITY	FINISH	AVAILABLE COLORS
EWMU(-S)	30.75" x 18.83" x 3.79" (781 x 478 x 96mm)	17lb (8kg)	200lb (90.7kg)	Outdoor powder paint	EWMU: Black EWMU-S: Stone Gray

Package Specifications

	PACKAGE SIZE (W x H x D)	PACKAGE SHIP WEIGHT	PACKAGE UPC CODE	PACKAGE CONTENTS	UNITS IN PACKAGE
EWMU(-S)	34.25" x 10.18" x 3.12" (870 x 258 x 79mm)	20lb (10kg)	EWMU: 735029272335 EWMU-S: 735029272342	Mount, hardware, security fasteners	1

All dimensions = inch (mm)



ARCHITECTS SPECIFICATIONS

The Peerless Wind Rated Tilt Wall Mount for Outdoor Flat Panel Displays shall be a Peerless model number EWMU, EWMU-S and located where indicated on the plans. Assembly and installation shall be done according to instructions provided by the manufacturer. Mount is made of heavy gauge cold rolled steel. Mount is finished with textured black or gloss ASA-70 gray protective paint.