

# Installation and Assembly - WIDE SCREEN WALL MOUNT FOR LGM3800S and LGM2900S

Model: DS246

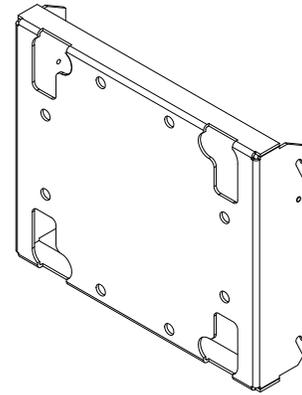
**IMPORTANT!** Read instruction sheet before you start installation and assembly.  
Before you start make sure all parts listed are included with your product.

## Parts List

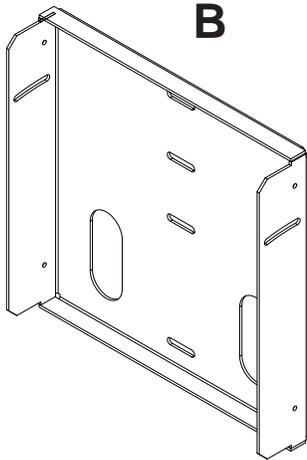
Description	Qty.	Part #
<b>A</b> tilt plate adapter bracket	1	201-1652
<b>B</b> wall plate	1	201-1653
<b>C</b> M5 x 1" penta pin driver	1	520-9249
<b>D</b> M10 x 15 mm penta pin screw	4	520-9263
<b>E</b> M5 x 12 mm socket pin serrated washer head screw	6	510-1064
<b>F</b> #14 x 2.5 phillips hex head wood screw	4	5S1-015-CO3
<b>G</b> alligator anchor	4	590-0097
<b>H</b> 4 mm Allen wrench	1	560-1131

Some parts may appear slightly different than illustrated.

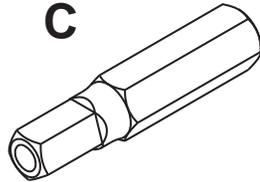
**A**



**B**



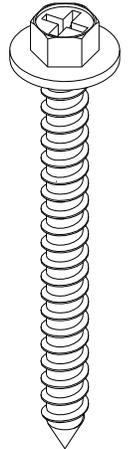
**C**



**D**



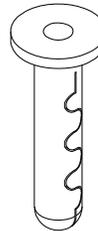
**F**



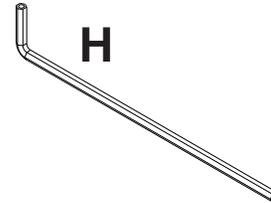
**E**



**G**



**H**



**Max Load Capacity: 50 lb (22.6 kg)**

## ⚠ WARNING

- This product was designed and intended to be mounted to the following supporting surfaces checked below with the hardware included in this product as specified in the installation sheet. To mount this product to an alternative supporting surface, contact Peerless customer care at 1-800-865-2112.
- This product was designed to be installed on the following wall construction only;

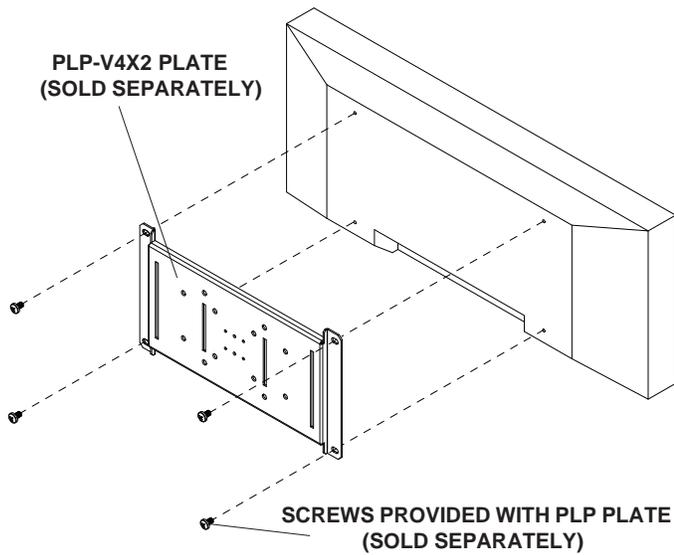
### WALL CONSTRUCTION

- Wood Stud
- Wood Beam
- Solid Concrete
- Cinder Block
- Metal Stud
- Brick
- Other or unsure?

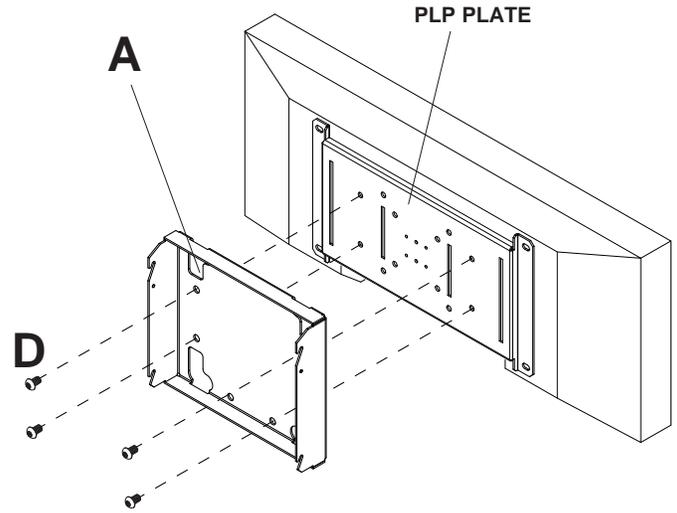
### ADDITIONAL HARDWARE REQUIRED

- None
- None
- None
- None
- Do not attach except with Peerless accessory kit ACC415 for metal studs; Contact Customer Service for Peerless accessory kit for metal studs.
- Contact Customer Service
- Contact Customer Service

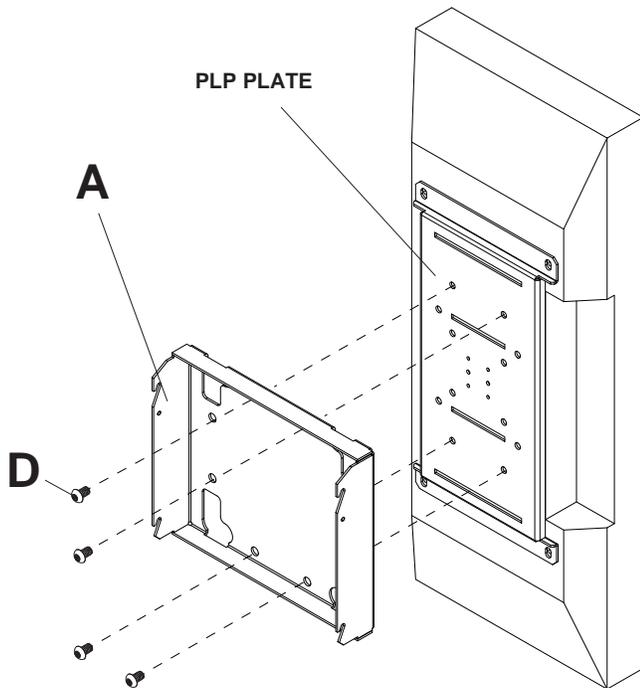
**1** Attach PLP adapter plate (sold separately) onto back of screen using four screws provided by PLP plate.



**2** For portrait installation skip to Step 3. Attach tilt plate (A) to PLP adapter plate in the landscape position using four M10 x 15 mm penta-pin screws (D) using penta-pin driver (C)



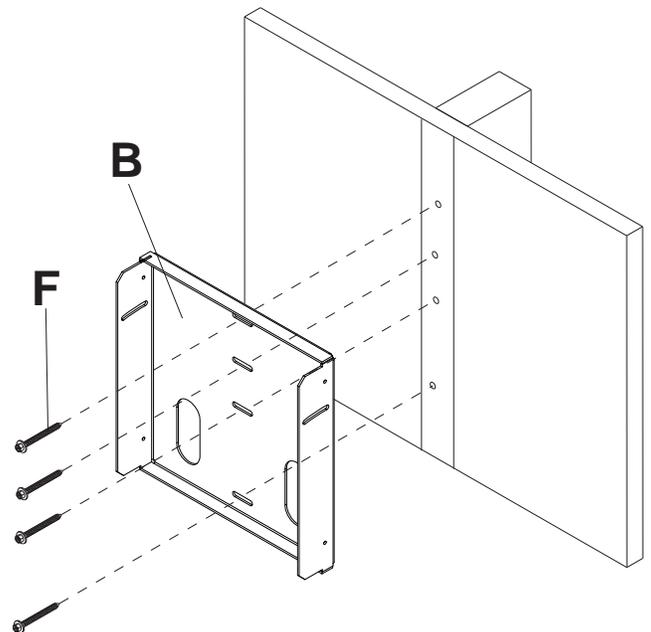
**3** Attach tilt plate (A) to adapter in the portrait position using four M10 x 15 mm penta-pin screws (D) using penta-pin driver (C).



**4** **Note:** For concrete walls skip to step 5 on the following page.

**Note:** For metal studs installation, please order metal stud fastener kit ACC415.

**For Single Stud Wood Walls** drill four 5/32" (4 mm) dia. holes to a minimum depth of 2.5" (64 mm). Attach wall bracket (B) to center of wood stud using four #14 x 2.5" wood screws (F). Use a stud finder to locate center of stud.



## ⚠ WARNING

- When installing Peerless wall mounts on cinder block, verify that you have a minimum of 1-3/8" of actual concrete surface in the hole to be used for the concrete anchors. Do not drill into mortar joints! Be sure to mount in a solid part of the block, generally 1" minimum from the side of the block. Cinder block must meet ASTM C-90 specifications. It is suggested that a standard electric drill on slow setting is used to drill the hole instead of a hammer drill to avoid breaking out the back of the hole when entering a void or cavity.
- Concrete must be 2000 psi density minimum. Lighter density concrete may not hold concrete anchor.
- Make sure that the wall will safely support four times the combined load of the equipment and all attached hardware and components.

5

**For Concrete Walls** drill one 1/4" (6 mm) dia. hole to a minimum depth of 2.5" (64 mm). Insert anchor (G) in hole flush with wall as shown (fig. 5.1). Place wall plate (B) over anchor (G) and secure with #14 x 2.5" wood screw (F) as shown in fig. 5.2 through 5.4. Make sure adapter bracket is level, mark other holes and repeat steps with other fasteners. Tighten all fasteners.

## ⚠ WARNING

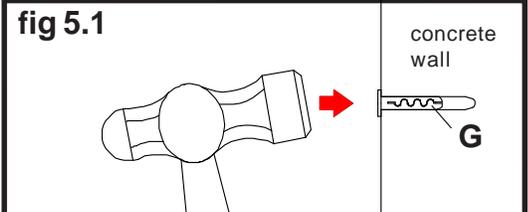
- Tighten screws so that wall plate is firmly attached, but do not overtighten. Overtightening can damage the screws, greatly reducing their holding power.
- Never tighten in excess of 80 in • lb (9 N.M.).

## ⚠ WARNING

- Concrete anchors are **not** intended for attachment to concrete wall covered with a layer of plaster, drywall, or other finishing material. If mounting to concrete wall covered with plaster/drywall is unavoidable, plaster/drywall (up to 5/8" thick) must be counterbored. If plaster/drywall is thicker than 5/8", custom fasteners must be supplied by installer.

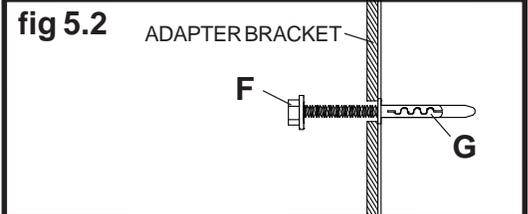
Drill holes and insert anchors.

fig 5.1



Place wall bracket over anchor and secure with screw.

fig 5.2



After repeating figure 5.1 tighten all fasteners.

fig 5.3

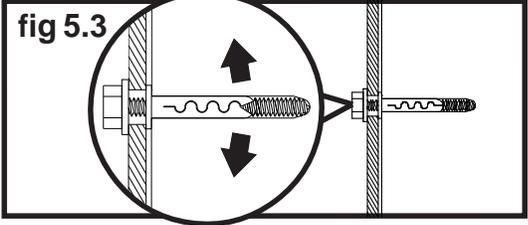
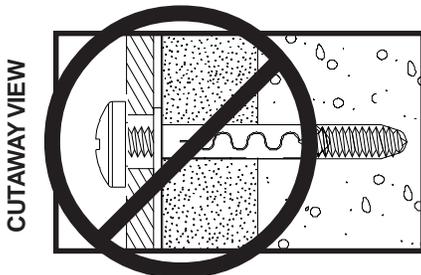
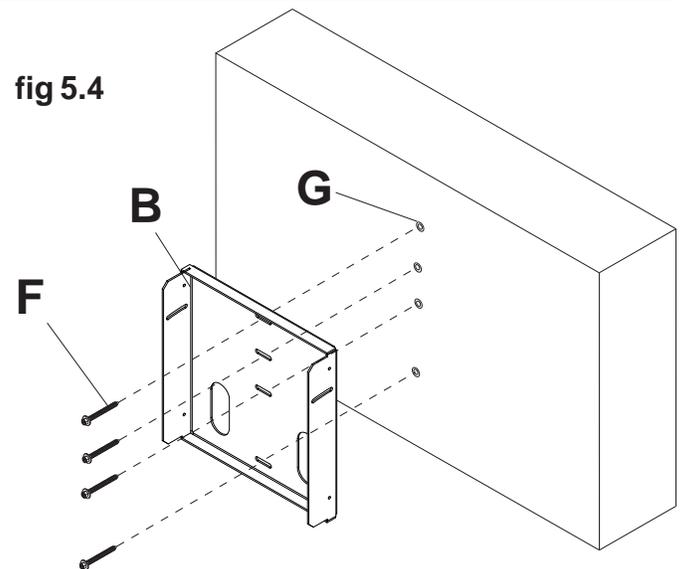


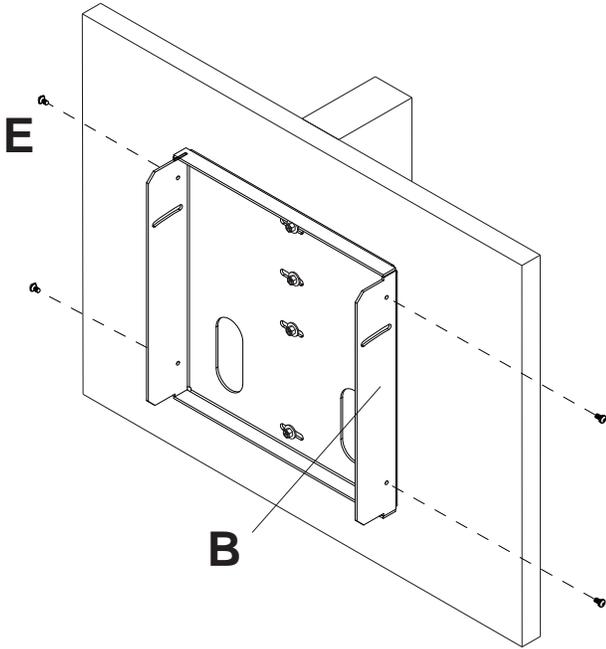
fig 5.4



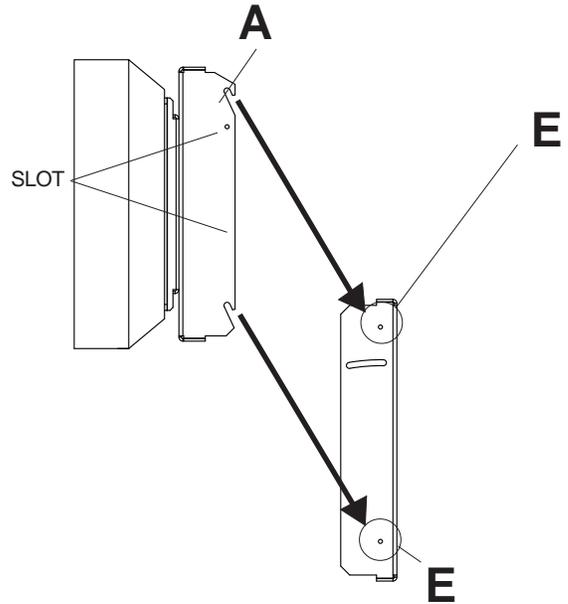
CUTAWAY VIEW

## 6 Attaching Mounting Bracket Using Hook On Option

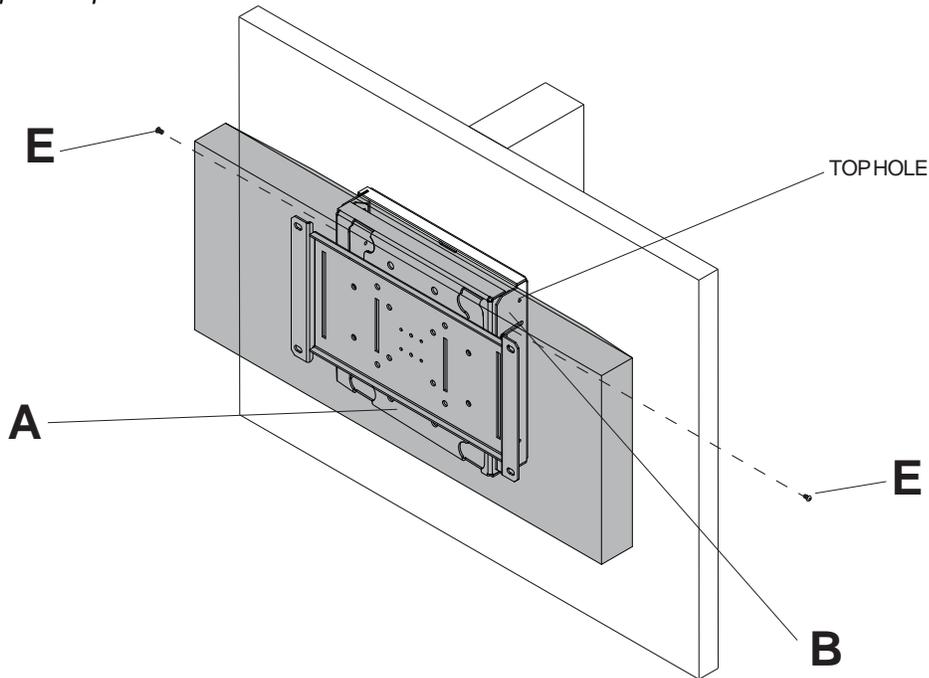
**6-1** Attach four M5 x 12 mm socket pin serrated washer head screws (**E**) to the holes on the sides of wall plate (**B**) using the 4mm security allen wrench (**H**) provided.



**6-2** Position slots of tilt plate (**A**) onto the four M5 x 12 mm socket pin serrated washer head screws (**E**) attached to wall plate (**B**).



**7** To secure tilt plate (**A**) to wall plate (**B**), attach two M5 x 12 mm socket pin serrated washer head screws (**E**) through the slots on the sides of wall plate (**B**), and into the threaded holes of tilt plate (**A**). Tighten with the 4mm security allen wrench (**H**).  
*For tilt option skip to Step 8*



## Attaching Mounting Bracket Using Tilt Option

- 8 Loosely fasten (E) in slot as shown in Detail 1. Remove top two M5 x 12 mm socket pin serrated washer head screws (E) attached to wall plate (B). Tighten two M5 x 12 mm socket pin serrated washer head screws (E) in slots at desired tilt as shown in Detail 1.

