

DS246

## 29" /38" Wall Mount with Storage

For LG M2900S-BN and M3800S-BN Stretch Screens

Designed to hold LG stretch screen, models LG M3800S-BN and LG M2900S-BN, the DS246 (with use of PLP-V4X2) provides a dedicated wall mount that performs in either portrait or landscape orientation. This solution incorporates a two-piece design for quick, simple and clean installations. It features plenty of room for screen ventilation extending the life of the monitor and storage behind for a clean, clutter-free application. This mount offers up to 12° of variable forward tilt to capture the optimal viewing angle while combining the theft deterrence feature with included security fasteners, making this mount ideal for digital signage in any application.



Screen size: 29"/38"



Max load: 50 lb (22 Kg)

### FEATURES

- Designed to fit LG M3800S-BN or LG M2900S-BN
- For use with PLP-V4X2
- Works in either portrait or landscape
- Allows for forward tilt up to 12 degrees
- Cable management stores cables for clean, uncluttered look
- Single stud installation
- Holds 50 lb (22 kg)
- Convenient storage capacity of 11.3" x 9.5" x 2.5" (287 x 241 x 63 mm) allows for cord, wire, and peripheral storage



- **ADJUSTABLE TILT**  
Tilt capability from 0 to 12 degrees

- **FOR VERSATILE APPLICATIONS**  
PLP compatible in portrait or landscape



Portrait Flush



Portrait 12°



**DS246:** 29"/38" Wall Mount with Storage for LG M2900S-BN and M3800S-BN Stretch Screens

**Product Specifications**

	DIMENSIONS (W x H x D)	PRODUCT WEIGHT	LOAD CAPACITY	FINISH	AVAILABLE COLORS
<b>DS246</b>	11.83" x 10.08" x .271" (300 x 256 x 69 mm)	11.2 lb (5.09 Kg)	50 lb (22 Kg)	Scratch resistant fused epoxy	Black

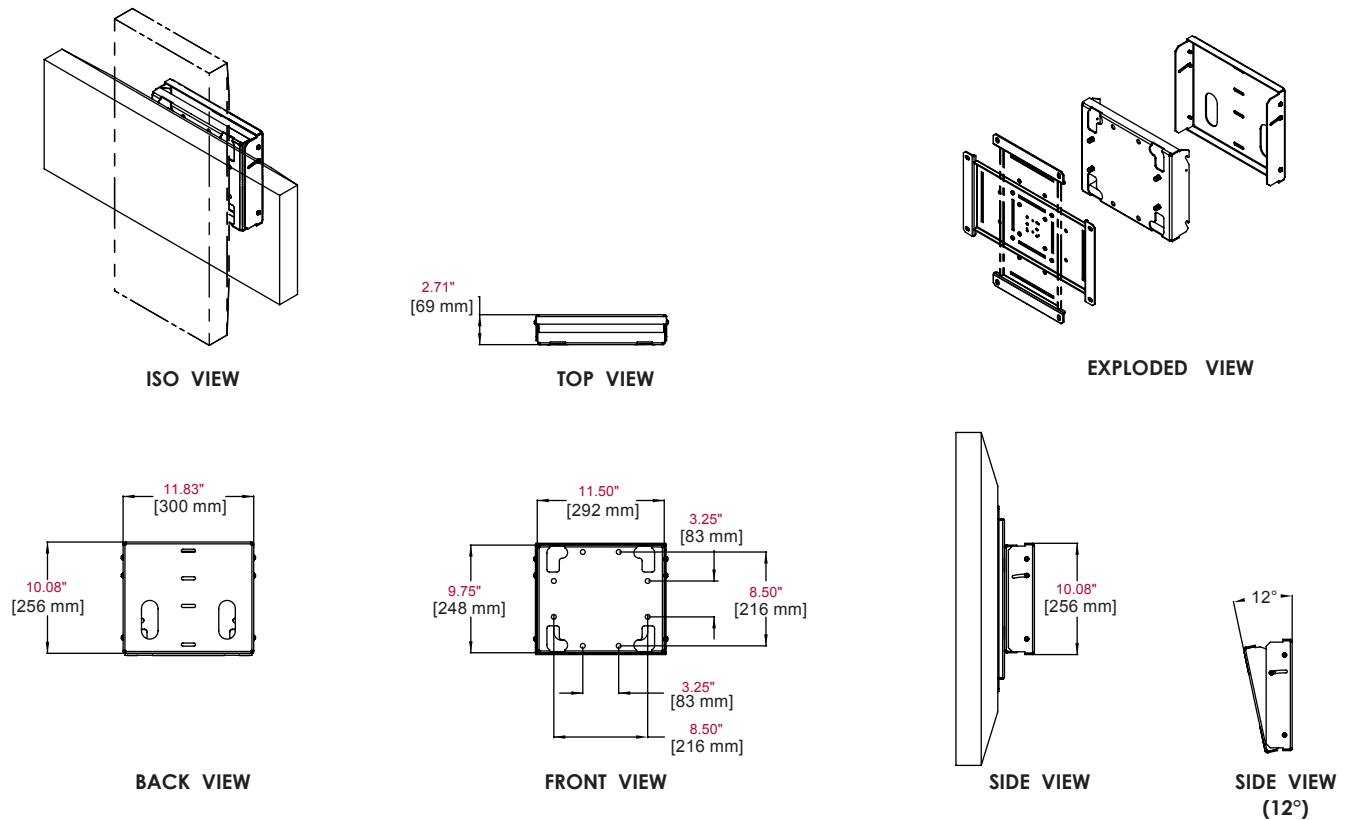
**Package Specifications**

	PACKAGE SIZE (W x H x D)	PACKAGE SHIP WEIGHT	PACKAGE UPC CODE	PACKAGE CONTENTS	UNITS IN PACKAGE
<b>DS246</b>	15.125" x 15.125" x .7.5" (384.175 x 384.175 x 190.5 mm)	13.97 lb (6.35 Kg)	735029262008	Wall mount and mounting hardware	1

**Accessories**

**PLP-V4X2:** PLP plate for LG M3800S-BN and LG M2900S-BN required

All dimensions = inch (mm)



**ARCHITECTS SPECIFICATIONS**

The Wide Scree Wall Mount shall be a Peerless model DS246 and shall be located where indicated on the plans. It shall feature adjustable tilt of +12°. It shall be constructed of heavy gauge cold rolled steel and finished with scratch resistant black fused epoxy. Assembly and installation shall be done according to instructions provided by the manufacturer.