

DS415

## Wall Mount with Storage For 32"-52" Flat Panel Screens



This low-profile, versatile and easy to install solution is designed for wide latitude of digital signage applications including educational and entertainment facilities. It is quick and simple to install. The VESA and PLP adapter plate hole pattern fits a large range of make and model screens from 32" to 52". The storage area provides easy access via its two side panels to electronic components for maintenance and hassle free content updates. In addition, the mount offers incremental tilt in 0, 5, and 10 degrees ideal for mounting the screen at eye level or above.



Screen size: 32"-52"



Max load: 150lb (68kg)

### FEATURES

- Mounts to studs on 16" (406mm) centers
- Access panels on both sides of the mount provide ready access to electronic components
- Stores electronic components 3.6" x 10.8" x 14.1" (91 x 275 x 358mm) maximum
- Designed for use with PLP adapter plates
- VESA® 100 x 100, 200 x 100, and 200 x 200mm compliant
- Supports up to 150lb (68kg)

■ VESA® compliance and PLP compatible mounting pattern

■ Incremental tilt at 0°, 5°, and 10°



■ Side panels covers conceal access cable holes for a clean appearance



**DS415:** Wall Mount with Storage for 32"-52" Flat Panel Screens

**Product Specifications**

	DIMENSIONS (W x H x D)	PRODUCT WEIGHT	LOAD CAPACITY	FINISH	AVAILABLE COLORS
<b>DS415</b>	17.97" x 12.21" x 4.18" (457 x 311 x 107mm)	15.14lb (6.89kg)	150lb (68kg)	Scratch resistant fused epoxy	Black

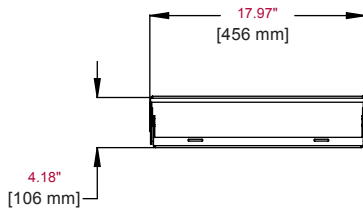
**Package Specifications**

	PACKAGE SIZE (W x H x D)	PACKAGE SHIP WEIGHT	PACKAGE UPC CODE	PACKAGE CONTENTS	UNITS IN PACKAGE
<b>DS415</b>	24.5" x 14.13" x 5.5" (622 x 359 x 139mm)	19lb (8.67kg)	735029250395	Wall mount with hardware	1

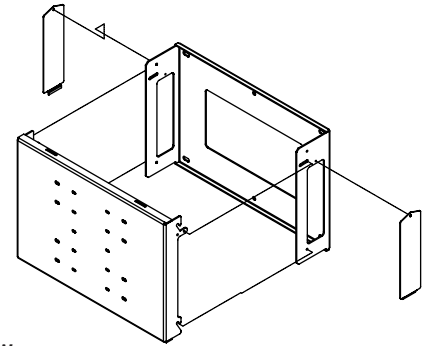
**Accessories**

- PLP models:** PLP plate as required by screen
- ACC322:** Belt Kit

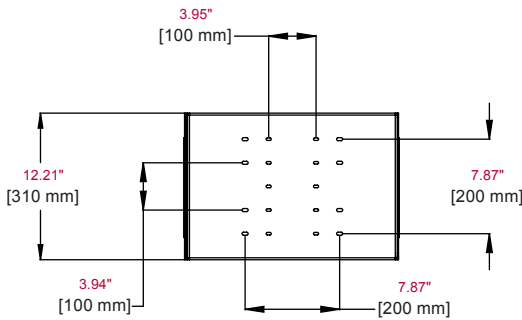
All dimensions = inch (mm)



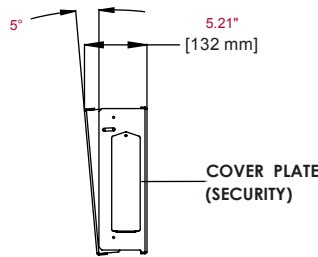
TOP VIEW



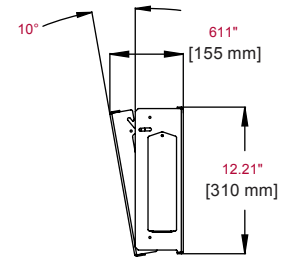
EXPLODED VIEW



FRONT VIEW



SIDE VIEW 5°



SIDE VIEW 10°

**ARCHITECTS SPECIFICATIONS**

The Custom Wall Mount shall be a Peerless model DS415 and shall be attached where indicated on the plans. Assembly and installation shall be done according to the instructions provided by the manufacturer.