

EPT650

# Outdoor Universal Tilt Wall Mount for 32" to 55" Flat Panel Displays



Peerless' Outdoor Universal Wall Mount provides a sure way to mount flat panels outdoors with its corrosion resistant E-Coat and stainless steel hardware that is resistant to corrosion when exposed to the elements. In addition to simple installation with its hook-and-hang design, this mount offers tilt functionality while keeping the flat panel screen a mere 2.58" from the wall. Tamper-resistant hardware deters theft, offering a peace-of-mind with every installation. For additional security, lock down channels in the brackets are included for optional padlock attachment to wall plate.



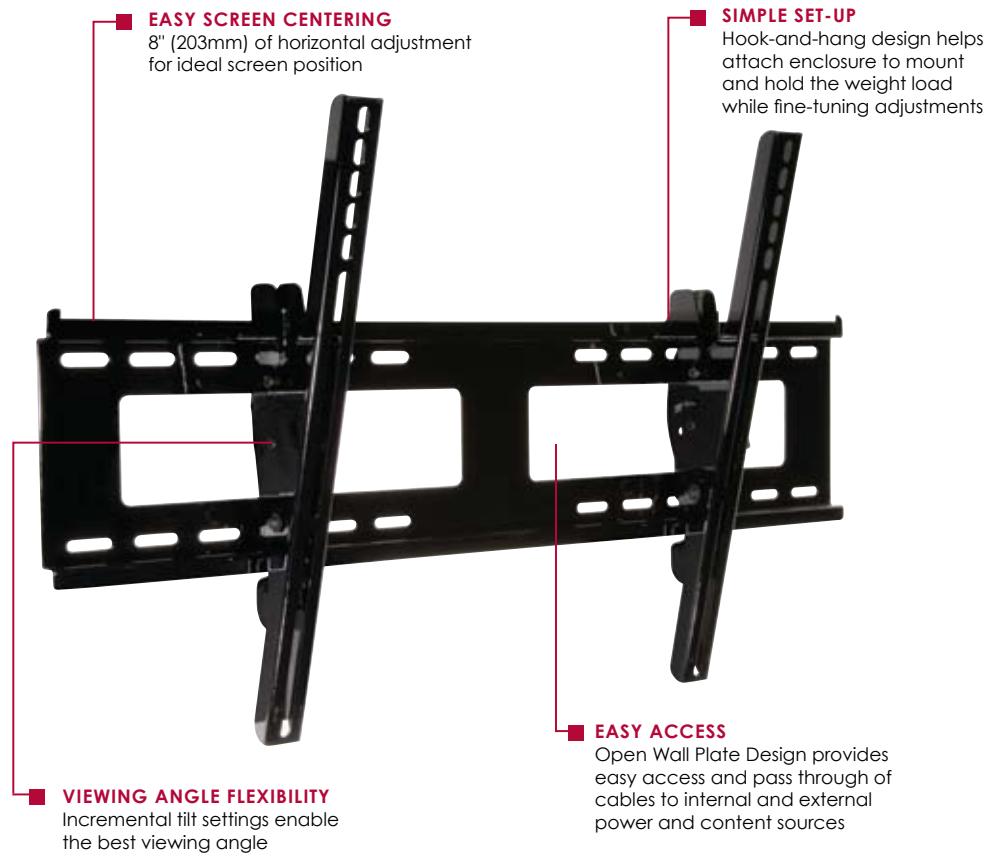
Screen size: 32"-55"



Max load: 175lb (79kg)

## FEATURES

- For Indoor/Outdoor use where corrosion protection is needed
- Supports displays with 29.04" W x 17.67" H (738mm W x 449mm H) Mounting Pattern and up to 600 x 400mm VESA® compliant
- +15°/-5° tilt with 5° lock increments
- 8" (203mm) of horizontal screen adjustment
- 2.58" (66mm) from the wall
- Double stud mounting with 16", 20" & 24" stud placements
- Security hardware and optional lock down channels to add a pad lock additional security
- Wood, concrete or cinder block mounting hardware included



One-touch tilt adjustment of +15/-5°



**EPT650(-S)** Outdoor Universal Tilt Wall Mount for 32" to 55" Flat Panel Displays

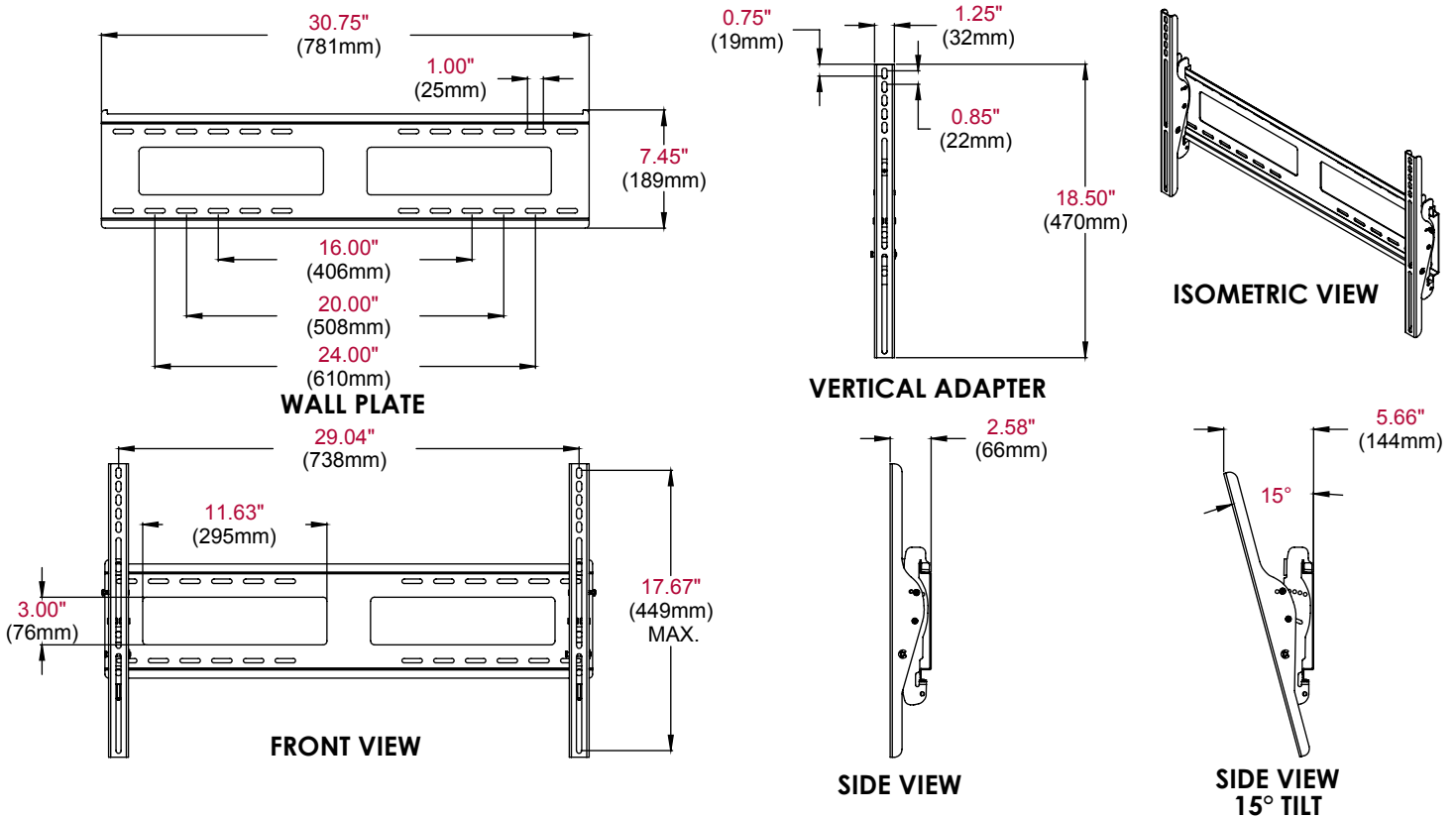
**Product Specifications**

	<b>DIMENSIONS (W x H x D)</b>	<b>PRODUCT WEIGHT</b>	<b>LOAD CAPACITY</b>	<b>FINISH</b>	<b>AVAILABLE COLORS</b>
<b>EPT650(-S)</b>	30.75" x 18.50" x 2.58" (781 x 470 x 66mm)	8.5lb (4kg)	175lb (79kg)	Outdoor powder paint	Black & Stone Gray

**Package Specifications**

	<b>PACKAGE SIZE (W x H x D)</b>	<b>PACKAGE SHIP WEIGHT</b>	<b>PACKAGE UPC CODE</b>	<b>PACKAGE CONTENTS</b>	<b>UNITS IN PACKAGE</b>
<b>EPT650(-S)</b>	31.62" x 8.5" x 3.88" (803 x 216 x 99mm)	10.5lb (5kg)	EPT650: 735029275640 EPT650-S: 735029275657	Mount and mounting hardware	1

All dimensions = inch (mm)



**ARCHITECTS SPECIFICATIONS**

The Peerless Outdoor Universal Tilt Wall Mount shall be a Peerless model number EPT650 and located where indicated on the plans. Assembly and installation shall be done according to instructions provided by the manufacturer. Mount is made of heavy gauge cold rolled steel. Mount is finished with a textured black or gloss ASA-70 gray outdoor protective paint.