

ESA746PU ESA746PU-S

Corrosion Resistant Articulating Mount For 26"-46" Indoor or Outdoor Flat Panel Displays



The Corrosion Resistant Articulating Mount for 26"-46" Indoor or Outdoor Flat Panel Displays from Peerless is ready to let entertainment prosper in any indoor or outdoor environment. The ESA746PU is specially coated with a protective anti-corrosive e-coating that repels damaging temperature-related and outdoor corrosive elements. Delivering all weather indoor and outdoor display placement value for uses on a terrace, pool deck or in grill areas. This all-environment mount is also ideal for installations in humid indoor areas like locker rooms, bathrooms and indoor pools. Indoors or out the ESA746PU provides durable all-environment mounting solution that is ready for any setting.



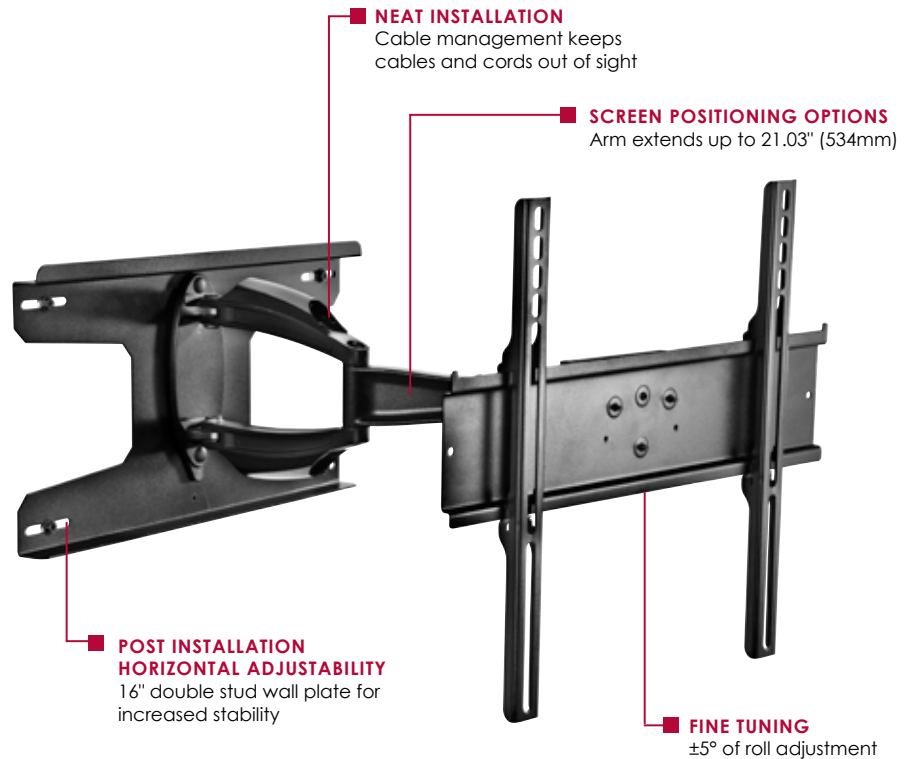
Display size: 26"-46"



Max load: 80lb (36kg)

FEATURES

- Made of corrosion resistant materials for weather resistance
- 21.03" (534mm) arm extension when collapsed 4.28" (109mm) from the wall
- Three adjustable pivot points for versatile display positioning
- +15°/-5° tilt, 90° swivel
- ±5° roll aids in post installation display viewing
- Double stud mounting option with 2" (0.05mm) of horizontal adjustment
- Integrated cable management keeps cables out of the way



Arm retracts to just 4.28" (109mm) and extends up to 21.03" (534mm) from wall



Post installation leveling



Cable management from screen to wall plate protects and organizes cables



ESA746PU(-S) Corrosion Resistant Articulating Mount for 26"-46" Indoor or Outdoor Flat Panel Displays

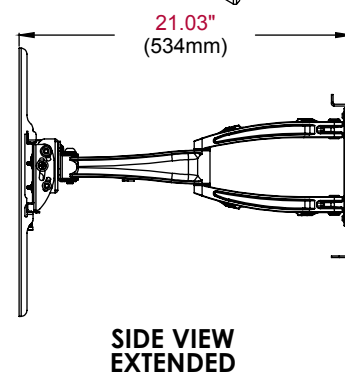
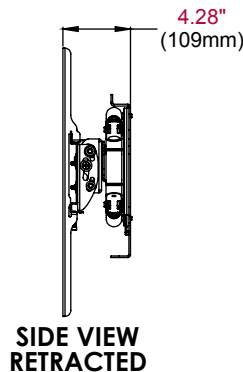
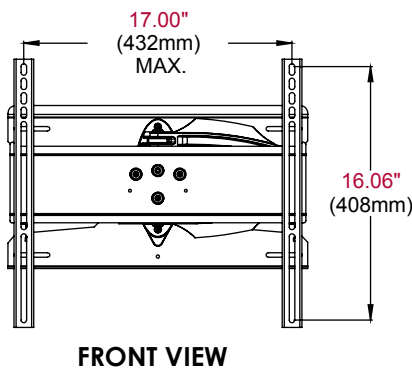
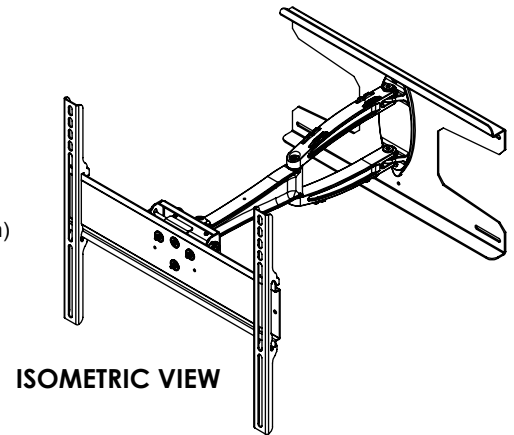
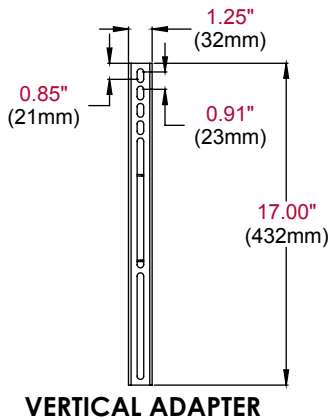
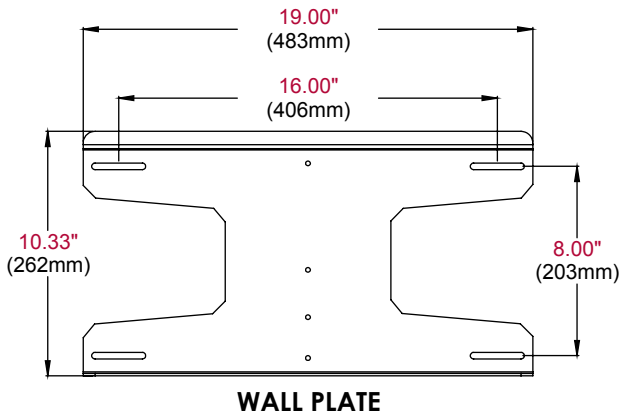
Product Specifications

	DIMENSIONS (W x H x D)	PRODUCT WEIGHT	LOAD CAPACITY	FINISH	AVAILABLE COLORS
ESA746PU(-S)	18.75" x 17.00" x 4.28"-21.03" (476 x 432 x 109-534mm)	10lb (4.5kg)	80lb (36kg)	Power coat	ESA746PU: Black ESA746PU-S: Stone Gray

Package Specifications

	PACKAGE SIZE (W x H x D)	PACKAGE SHIP WEIGHT	PACKAGE UPC CODE	PACKAGE CONTENTS	UNITS IN PACKAGE
ESA746PU(-S)	21" x 11.5" x 5" (533 x 292 x 127mm)	11lb (5kg)	ESA746PU: 735029276067 ESA746PU-S: 735029276074	Mount, Double Stud Wall Plate and Mounting Hardware	1

All dimensions = inch (mm)



ARCHITECTS SPECIFICATIONS

The Corrosion Resistant Articulating Mount shall be a Peerless-AV model ESA746PU and shall be located where indicated on the plans. Assembly and installation shall be done according to instructions provided by the manufacturer. Mount is finished with a textured black or ASA-70 gray powder outdoor protective paint