

# Installation and Assembly - Extension Column Stabilizer

Model: ACC 050

**IMPORTANT!** Read entire instruction sheet before beginning installation and assembly.

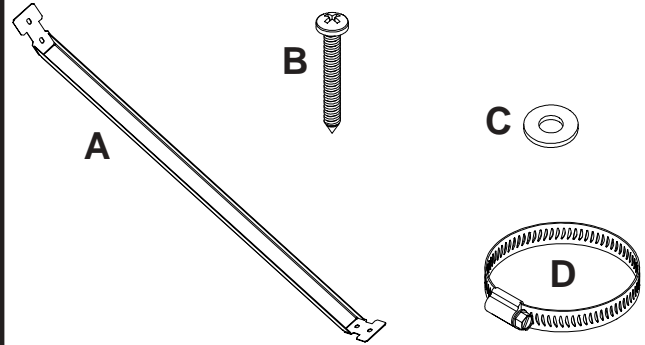
**WARNING!** Installer must verify that the ceiling will safely support the combined weight of all attached equipment and hardware.

## PARTS LIST

PART #	QTY.	DESCRIPTION
A 128-1029	2	extension column stabilizer bracket
B 510-9163	4	#10 x 1 1/2 wood screw
C 540-9440	4	1/4 SAE flat washer
D 560-0008	1	hose clamp

Note: Actual parts may appear slightly different than illustrated.

**IMPORTANT:** If using different bolts, the bolts **must** be A325 grade.

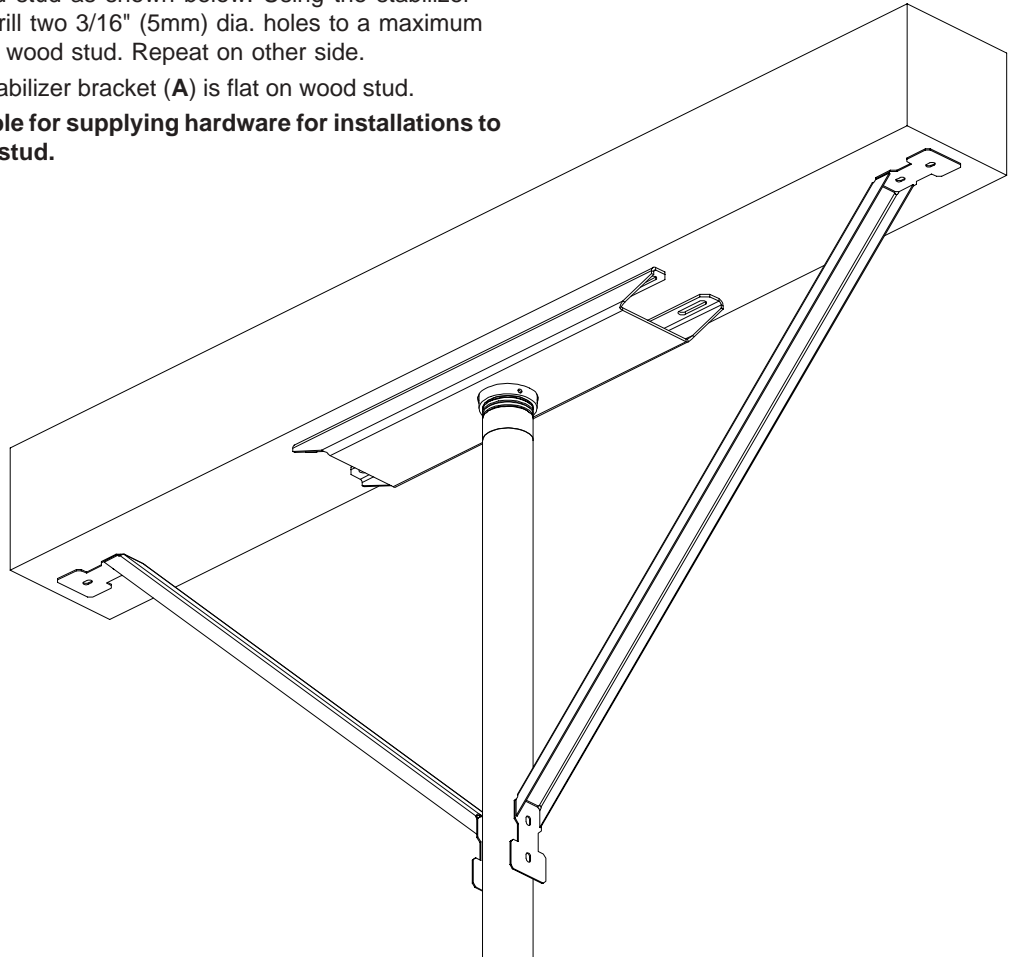


**1** Before starting make sure that ceiling mount and extension column are firmly in place.

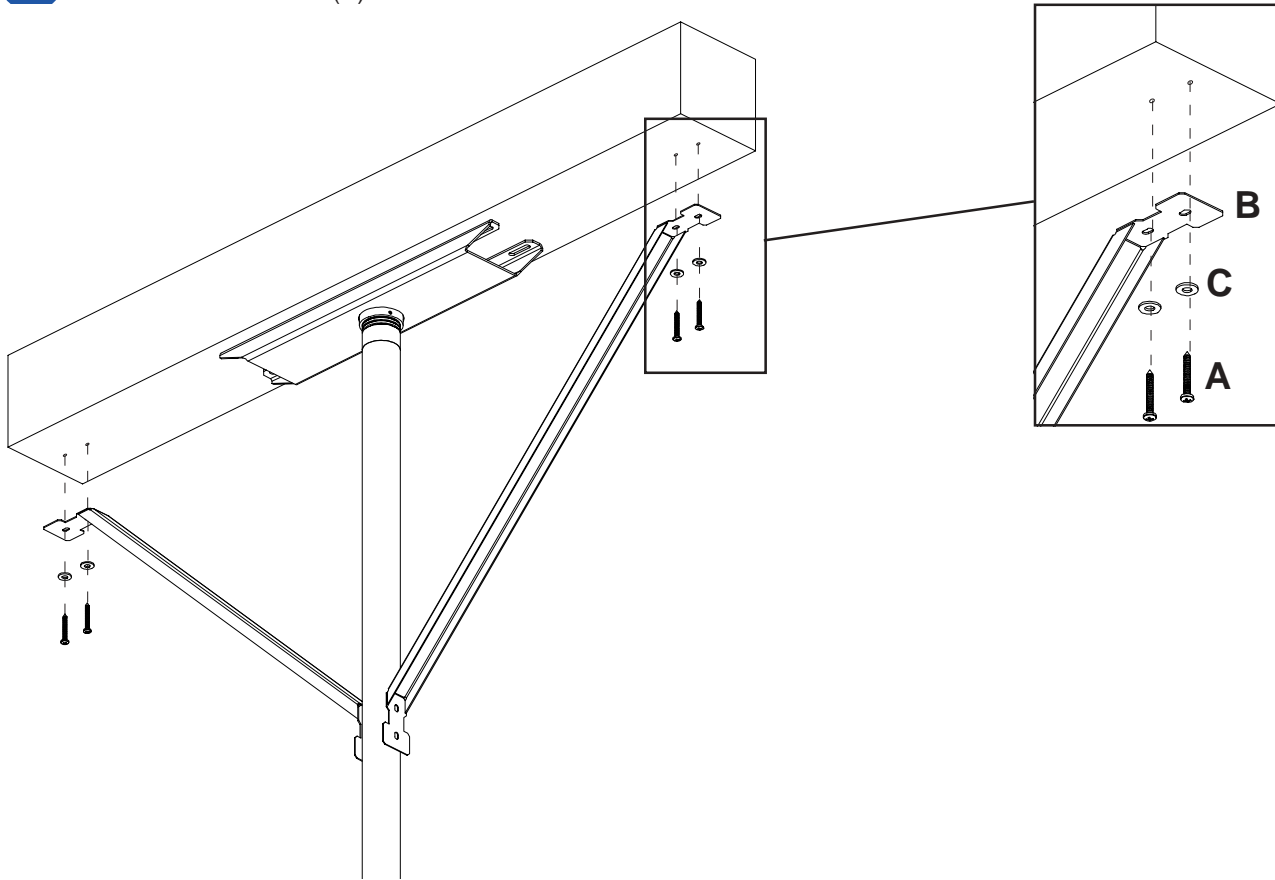
**For Wood Stud Only:** Align the stabilizer bracket (A) with the side of the extension column and wood stud as shown below. Using the stabilizer bracket (A) as a template drill two 3/16" (5mm) dia. holes to a maximum depth of 2" (51mm) into the wood stud. Repeat on other side.

**IMPORTANT:** Make sure stabilizer bracket (A) is flat on wood stud.

**Note:** Installer is responsible for supplying hardware for installations to surfaces other than wood stud.



- 2** Fasten extension stabilizer (A) to wood studs using two 1/4 flat washers (C) and #10 wood screws (B).



- 3** Fasten extension stabilizer (A) to extension column use hose clamp (D). Tighten hose clamp (D) until extension stabilizers (A) are completely secured and column is stabilized.

