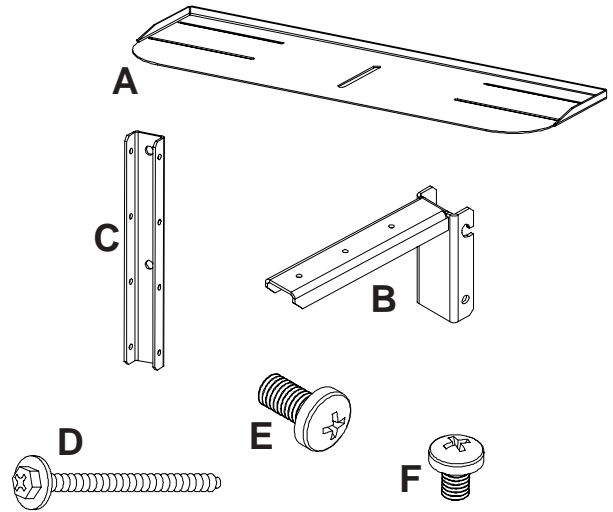


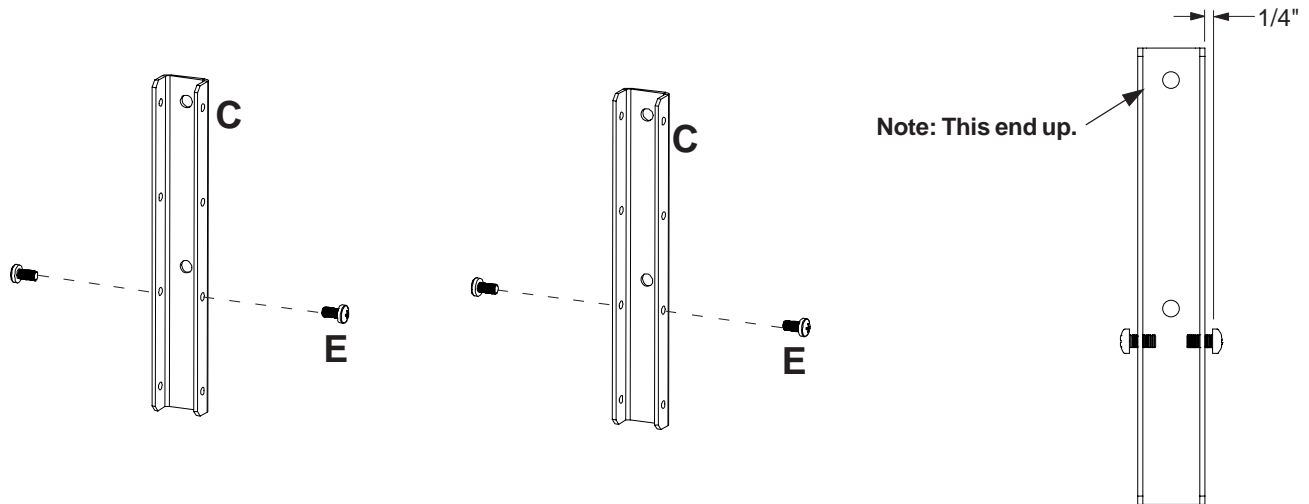
Parts List

PART #	QTY.	DESCRIPTION
A 200-1305	1	shelf
B 200-1306	2	shelf bracket
C 200-1307	2	wall bracket
D 200-1005	4	#14 x 2 1/4" wood screw
E 520-9250	6	M5 x .8 x 10mm phillips screw
F 520-1006	4	M4 x .7 x 6mm phillips screw



Some parts may appear slightly different than illustrated.

- 1** Fasten two M5 screws (E) into second hole of wall bracket (C) leaving about 1/4" gap as shown below.
Note: To increase the height of shelf just place screws (E) into upper holes of wall bracket (C).



2

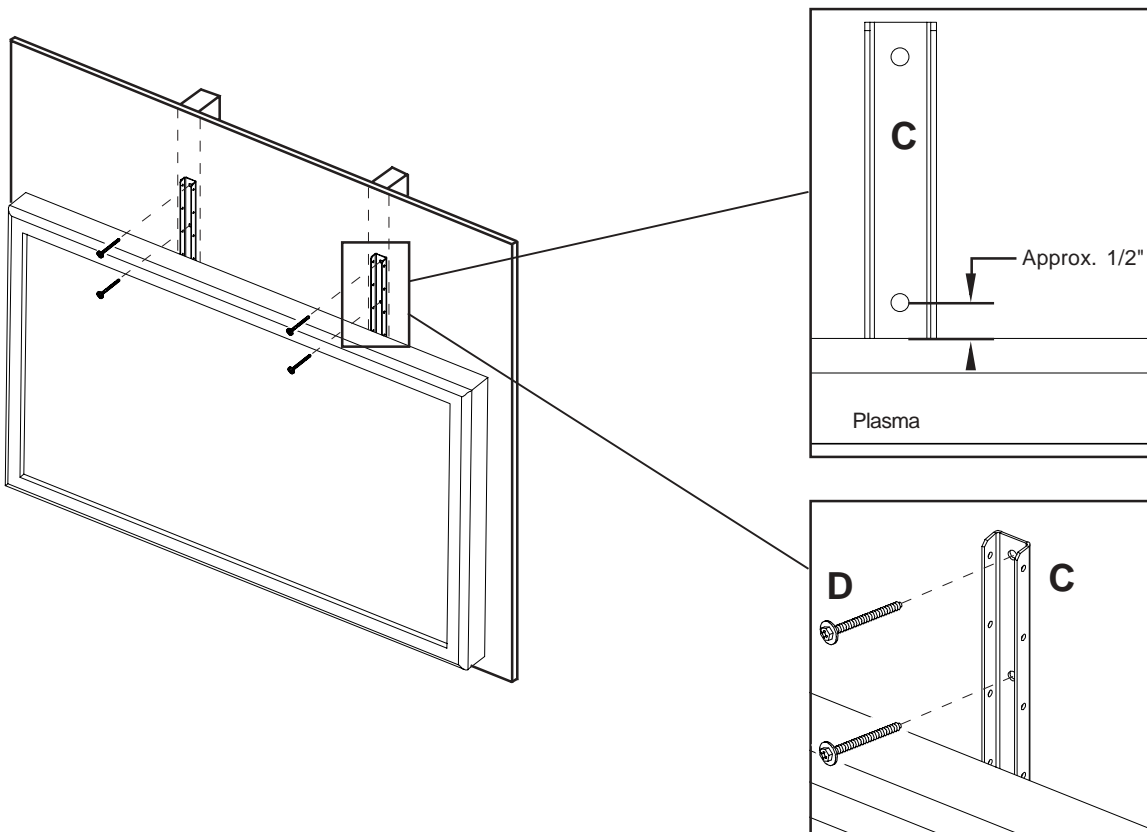
Use a stud finder and follow the directions that come with it to locate the center point of the stud. Never mount into drywall alone!

Slide wall bracket (C) along stud behind plasma mount leaving about half an inch between center of bottom hole of wall bracket (C) and top of plasma. Using the wall bracket (C) as a guide, mark and drill the four 5/32" (4 mm) dia. mounting holes in the center of the stud, 2 1/2" deep. At this point, it is essential to use a level to level your wall bracket (C). If it is only a few degrees off level, your shelf (A) will not sit straight.

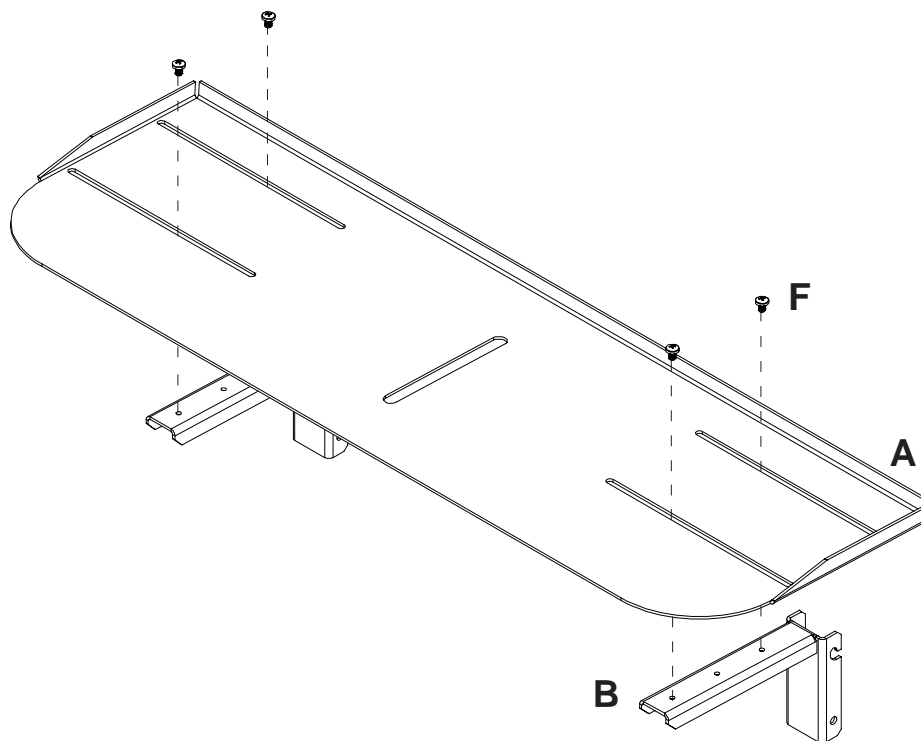
Insert the four wood screws (D).

⚠ WARNING

- Tighten wood screws (D) so that wall bracket (C) is firmly attached, but do not overtighten. Overtightening can damage screws, greatly reducing their holding power.
- Never tighten in excess of 80 in • lb (9 N.M.).
- Make sure that mounting screws are anchored into the center of the studs. The use of an "edge to edge" stud finder is highly recommended.



- 3** Attach shelf (A) to shelf brackets (B) using four M4 screws (F). Note: Do not fully tighten screw (F) to allow for adjustment.



- 4** Hook shelf bracket (B) to wall bracket (C) as shown below. Note At this point shelf brackets (B) may need to be adjusted to hook onto wall bracket (C). After shelf bracket (B) is in place lock into place using two M5 screw (E). Note: Use one per bracket (C) on the outside of bracket (C).

