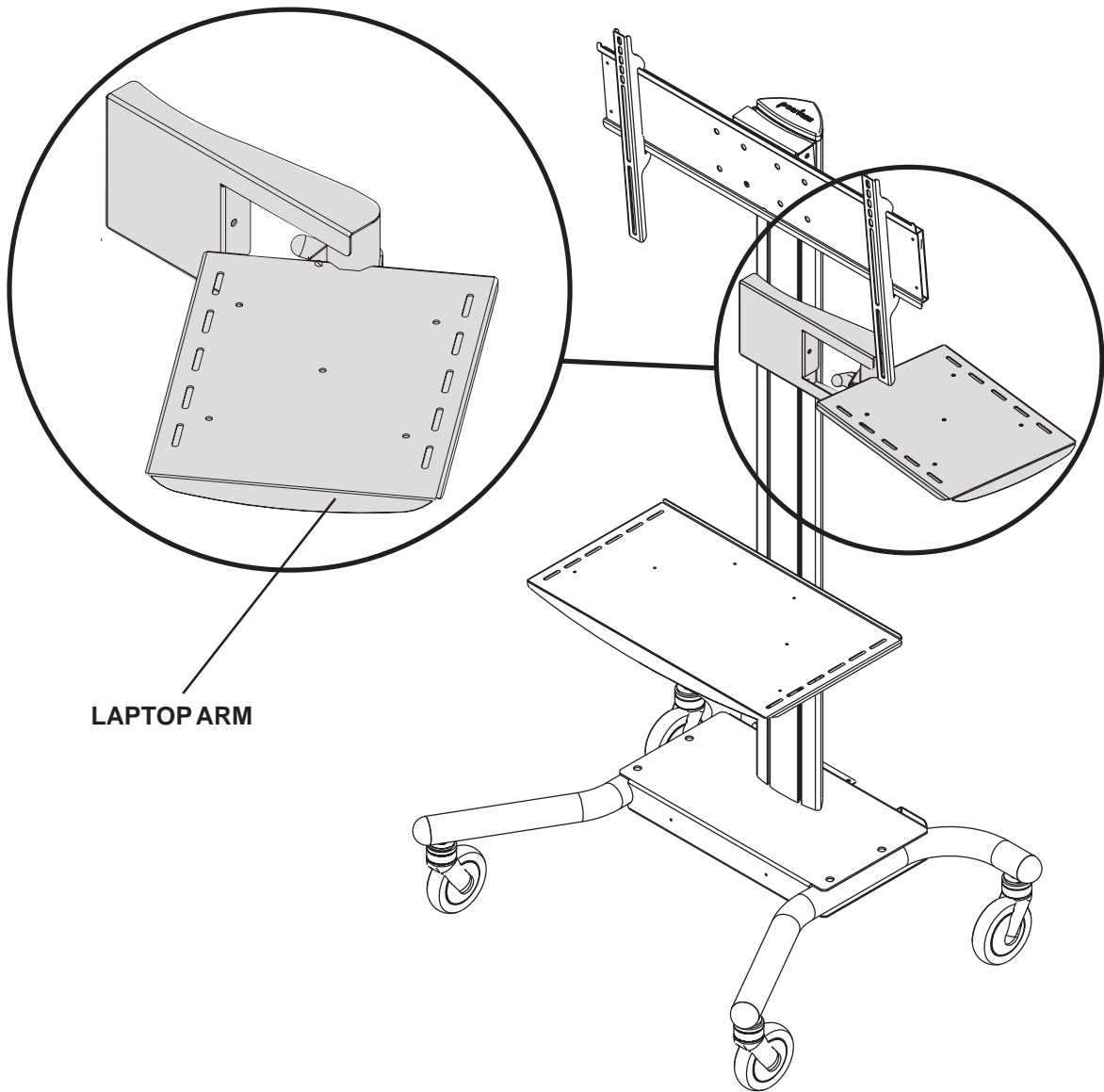


IMPORTANT! *Read entire instruction sheet before you start assembly and installation.*

Some parts may appear slightly different than illustrated.



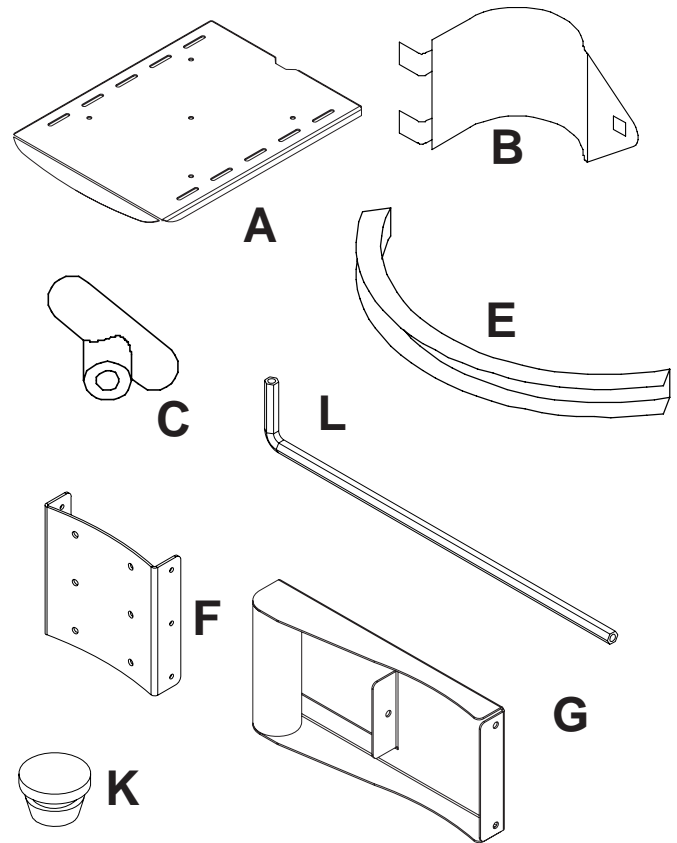
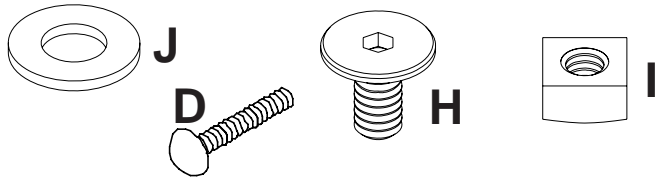
LAPTOP ARM

Parts List

Before you start make sure all parts listed are included with your product.

PART #	QTY.	DESCRIPTION
A 009-1227	1	laptop tray
B 009-1020	1	laptop tray clamp
C 590-1057	1	T-knob
D 520-1017	1	1/4" - 20 x 1 3/4" carriage bolt
E 590-1074	2	plastic grommet
F 201-1156	1	screen mount bracket
G 009-1230	1	shelf support
H 520-2325	7	1/4 x 12 mm decorative screw
I 530-1022	4	1/4 - 20 mm square nut
J 540-9406	4	washer
K 590-1209	5	button bumper
L 560-9646	1	allen wrench

Some parts may appear slightly different than illustrated.



NOTE: If you are adding new shelf to an already assembled product, reverse steps up to the shelf installation step (removing screen and adapter plate from cart) following the main instruction sheet.

1 Loosely attach four 1/4-20 x 12 mm screws (H), washers (J), and 1/4-20 nuts (I) to screen mount bracket (F).

2 Slide screen mount bracket (F) onto upright so that 1/4-20 nuts (I) slide into slots of upright as shown in figure 2 and detail 1. Slide screen mount bracket to desired position, level, then tighten 1/4-20 x 12 mm screws (H) using 4 mm allen wrench (L).

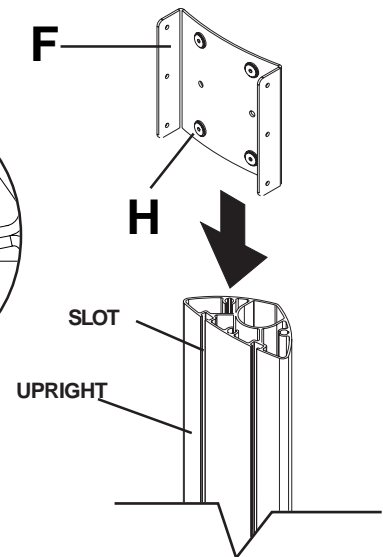
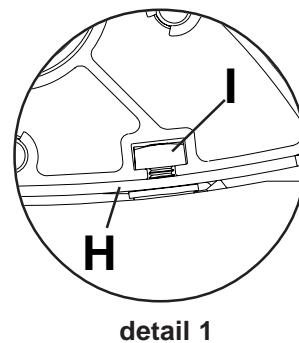
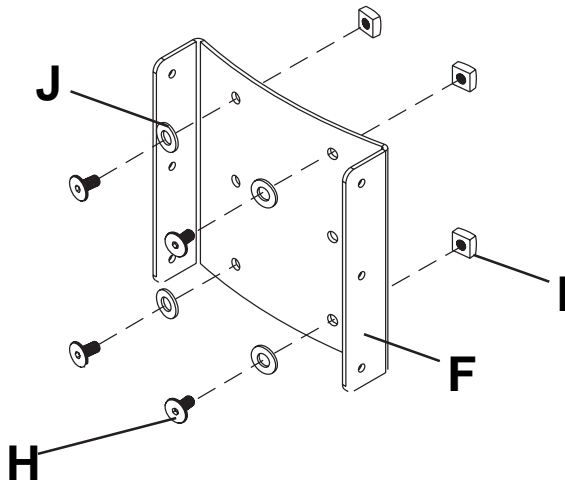


fig 2

3

Attach self support (G) to screen bracket (F) as shown in fig. 3.1. Insert three 1/4-20 x 12 mm screws (H) into screen mount bracket (F), leaving 1/8" of exposed thread as shown in fig. 3.2 and detail 2.

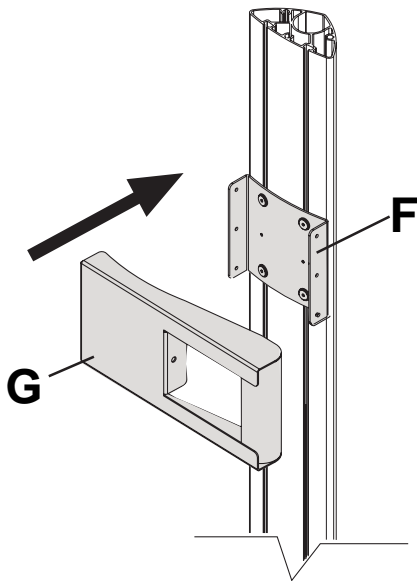


fig 3.1

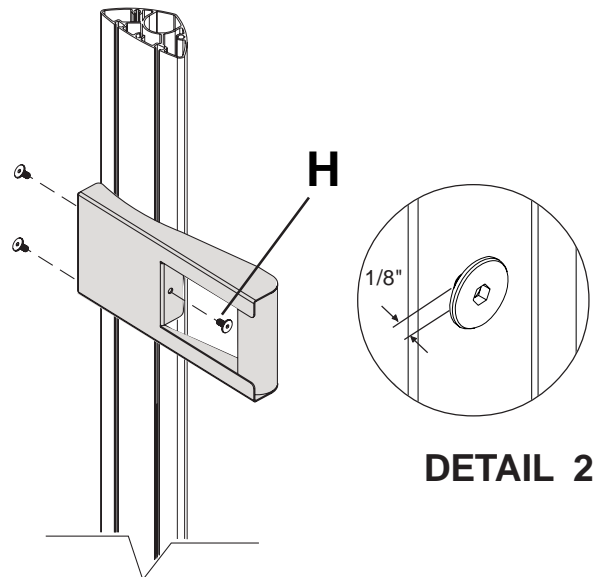
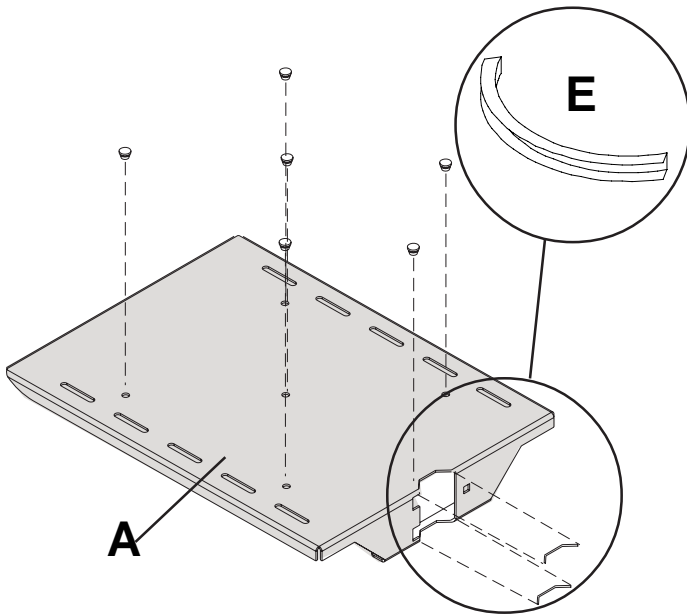


fig 3.2

4

Attach two grommets (E) to back of laptop tray (A), and attach five button bumper (K) to the top of laptop tray (A) as shown below.



5

Attach laptop tray (A) to shelf support (G) using clamp (B), carriage bolt (D) and T-knob (C). Hook tabs of clamp (A) into slots of laptop tray (A) as shown in fig. 5.1, then secure clamp and tray around shelf using carriage bolt (D) and T-knob (C) as shown fig.5.2.

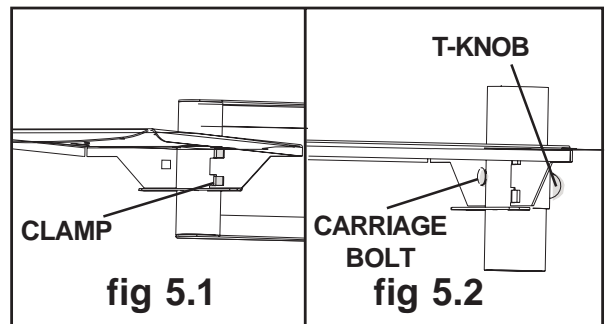
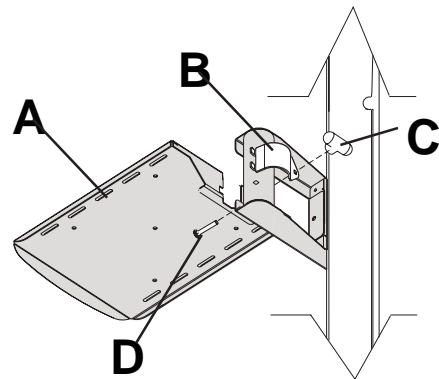


fig 5.1

fig 5.2