

TECHNICAL DATA SHEET - Laptop Arm

peerless[®]
Solid Solutions - Solid Support™

MODEL: ACC314

The Laptop Arm is designed to attach to the Flat Panel TV Cart. Laptop Arm can be used for a variety of A/V equipment and accessories.

Features:

- 10 lb capacity
- 180° swivel to swing arm out of the way
- Heavy gauge cold rolled steel construction
- Scratch resistant black fused epoxy
- Vertical height adjustability

Dimensions:

Shipping weight:

10.3 lb (4.7 kg)

Max Load Capacity:

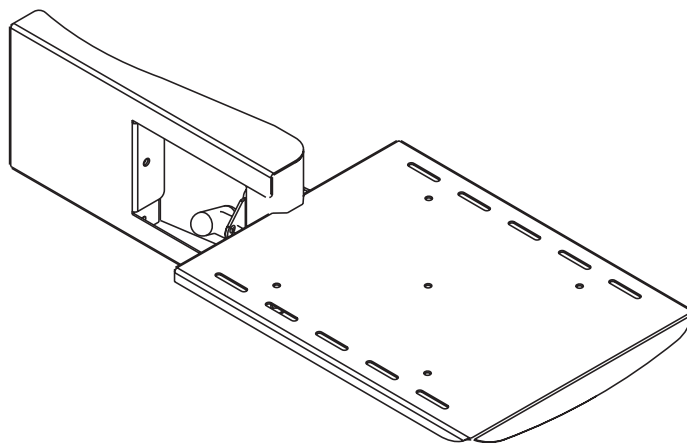
10 lb (4.6 kg)

Shipping Carton dimensions:

L= 20.5 in. (521 mm)

W= 12.25 in. (533 mm)

H= 4.5 in. (38 mm)



ARCHITECTS SPECIFICATIONS

Laptop Arm shall be a Peerless model **ACC314** and shall be installed where indicated on the plans. It shall be constructed of heavy gauge cold rolled steel and finished with scratch resistant Black Fused Epoxy. Assembly and installation shall be done according to instructions provided by the manufacturer.

Peerless Industries, Inc.

3215 W. North Ave. Melrose Park, IL 60160
708-865-8870 800-865-2112 Fax 708-865-2941

www.peerlessmounts.com

ISSUED: 02-06-07 SHEET NO: 009-9531-1

©2007 Peerless Industries, Inc. All rights reserved.
Peerless is a registered trademark of Peerless Industries, Inc.

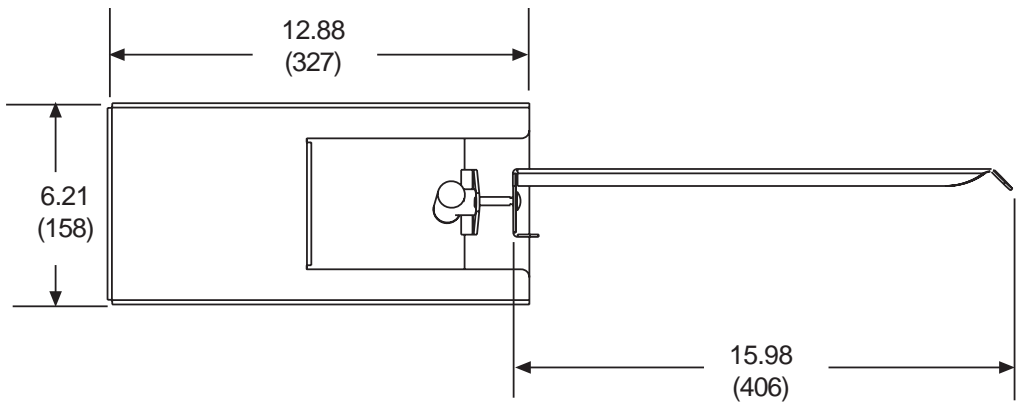
All other brand and product names are trademarks or registered trademarks of their respective owners.

TECHNICAL DATA SHEET

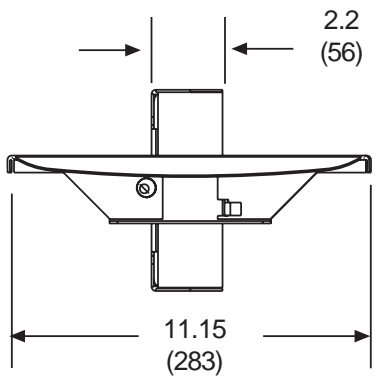
MODEL: ACC314

ALL DIMENSION = INCH
(MM)

Side View



Front View



Iso View

