

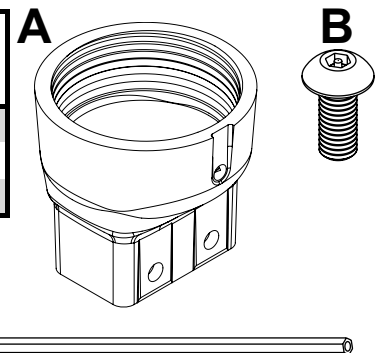
Installation and Assembly: Threaded Connector

Models: ACC575, ACC575-S, ACC575-W

Before you begin, make sure all parts shown are included with your product.
Parts may appear slightly different than illustrated.

Parts List

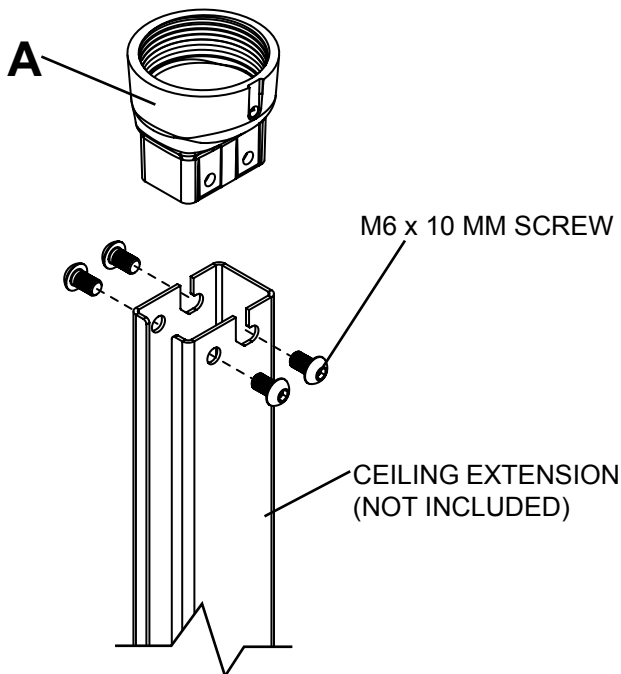
| Description | Qty. | ACC575 | ACC575-W | ACC575-S |
|--------------------------------------|------|----------|----------|----------|
| A female ceiling adapter | 1 | 580-1218 | 580-2218 | 580-4218 |
| B M5 x 12 mm socket pin screw | 1 | 520-1064 | 520-2064 | 520-2064 |
| C 4 mm security allen wrench | 1 | 560-9646 | 560-9646 | 560-9646 |



NOTE: This product is intended for use with mounting to vertical ceiling application only.

- 1** Remove M6 x 10 mm screws from ceiling extension and detach from ceiling mount.

Attach ceiling adapter (A) to top of ceiling extension and fasten replacing M6 x 10 mm screws as shown below.



- 2** From the bottom, thread ceiling adapter (A) onto thread of extension column or ceiling plate accessory (not included), rotating clockwise.

Align notch in extension column or ceiling plate accessory (not included) with hole in collar of ceiling adapter. Fasten using M5 x 12 mm socket pin screw (B) using allen wrench (C) as shown below.

