

Installation and Assembly - Extension Column Connector with Cord Management to be used with PJF, PJC, 8008506, and 8006999 Series

Models: ACC 850, ACC 850S

IMPORTANT! Read entire instruction sheet before you start installation and assembly.



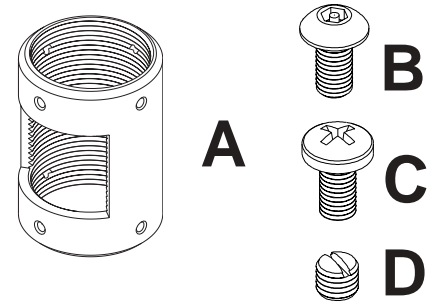
This product is intended for use with UL Listed products and must be installed by a qualified professional installer.

Before you start make sure all parts listed are included with your product.

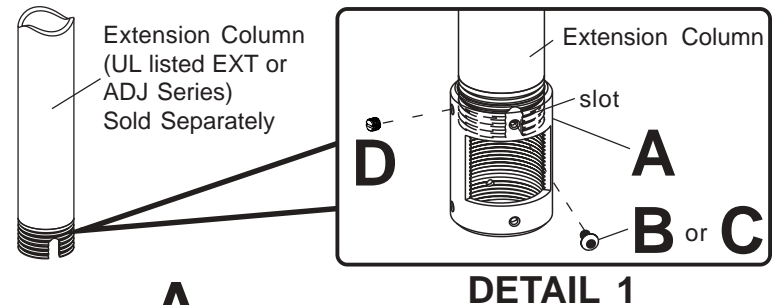
Parts List

DESCRIPTION	QTY.	Model ACC 850 PART #	Model ACC 850S PART #
A extension column connector w/ cord management	1	580-1025	580-4025
B 10-32 x 3/8" socket pin screw	2	520-1084	520-2084
C 10-32 x 3/8" phillips head screw	2	520-1130	520-2130
D 10-32 x 3/16" slotted set screw	2	520-1187	520-2187

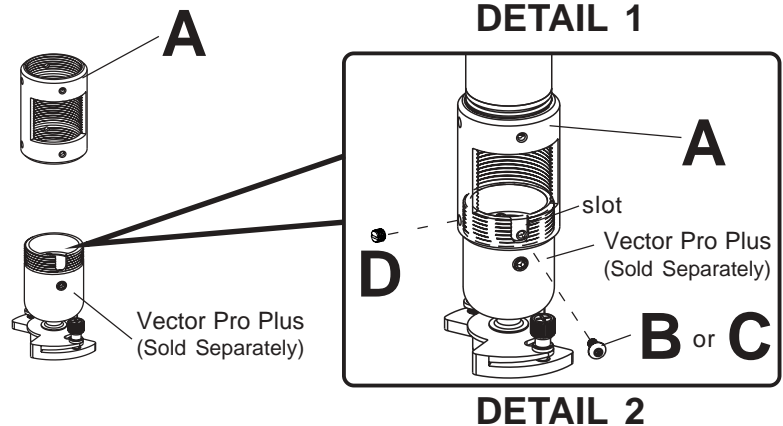
Some parts may appear slightly different than illustrated.



1 Screw extension column connector (**A**) to extension column (sold separately). Align slot in extension column with one of the top holes in extension column connector (**A**). Insert and tighten one 10-32 x 3/8" phillips screw* (**C**) through extension column connector (**A**) into slot on extension column using security allen wrench (provided with PJF 1 or PJF 1-S). **See detail 1.**



Screw Vector Pro™ Plus PJF 1 or PJF 1-S (sold separately) to extension column connector (**A**). Align slot in Vector Pro Plus to one of the bottom holes in extension column connector (**A**). Insert and tighten one 10-32 x 3/8" phillips screw* (**C**) through extension column connector (**A**) into slot in Vector Pro Plus using security allen wrench (provided with Vector Pro Plus). **See detail 2.**



*Use 10-32 x 3/8" phillips head screws (**C**) for standard installations, or 10-32 x 3/8" socket pin screws (**B**) for installations where additional security is desired.

Note: Slotted set screws (**D**) are used to jam against the threads of each connecting joint to prevent any excess movement. Do not overtighten screws; overtightening screws will damage threads making it difficult to separate the products.

2 Thread cords through top of extension column and pull cords through hole in cord management adapter (**A**) as shown below. **Note: Make sure cords are long enough to reach back of projector and not binding.**

