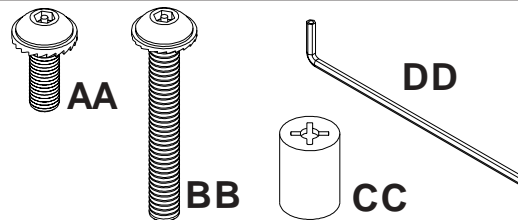


IMPORTANT! Read entire instruction sheet before you start installation and assembly.

## Parts List

Description	Qty.	Part #
AA M4 x 12 mm serrated washer head socket pin screw	4	510-1079
BB M4 x 20 mm serrated washer head socket pin screw	4	510-1061
CC .198" x .313" x .437" H retaining spacer	4	590-5005
DD 4 mm security allen wrench	1	560-9646



## ⚠ WARNING

- If screws don't get three complete turns in the screen inserts or if screws bottom out and bracket is still not tightly secured, damage may occur to screen or product may fail.

**1** Insert two M4 x 12 mm screws (**AA**) into top two holes of screen, leaving approximately 1/4" of exposed thread. Hook screws onto keyslots of adapter plate as indicated in figures 1.1 and 1.2.

**\*Note:** If hole pattern is in a pocket, insert two M4 x 20 mm screws (**BB**) with two retaining spacers (**CC**) into top two holes of screen as indicated right.

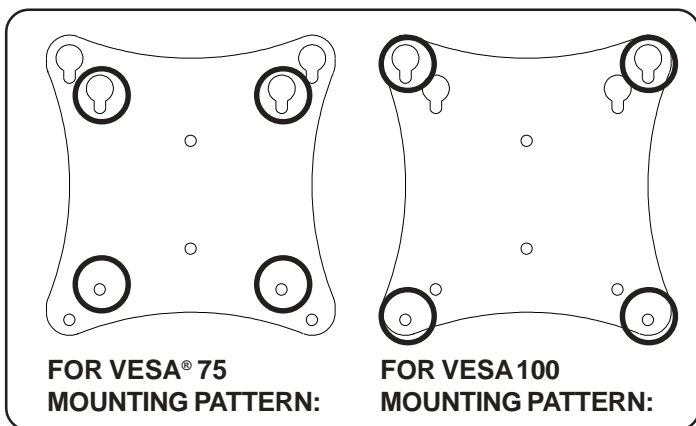


fig. 1.1

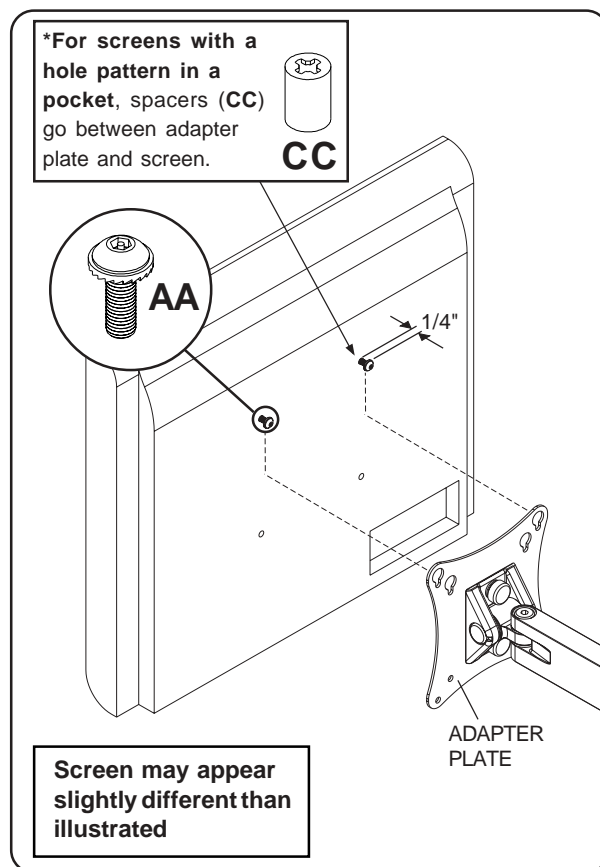


fig. 1.2

- 2 Insert one M4 screw (**AA**) through bottom hole of adapter plate as shown in figure 2.1.

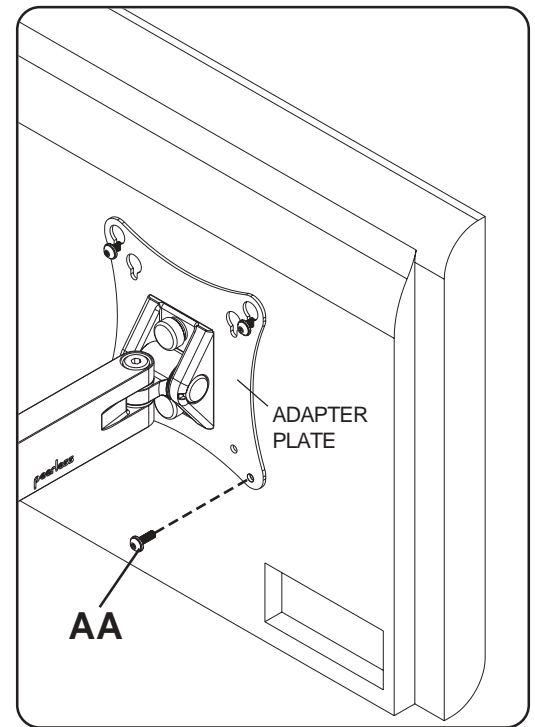


fig. 2.1

- 3 Route cords through center of cord management clip. Next, attach cord management clip to adapter plate using M4 screw (**AA**) as shown in detail 1. Tighten all four screws (**AA**) using security allen wrench (**DD**).

**Note:** A cord management clip was added for additional cords. If you want to use this added clip, remove the opposite bottom screw and repeat this step on opposite side of adapter plate.

