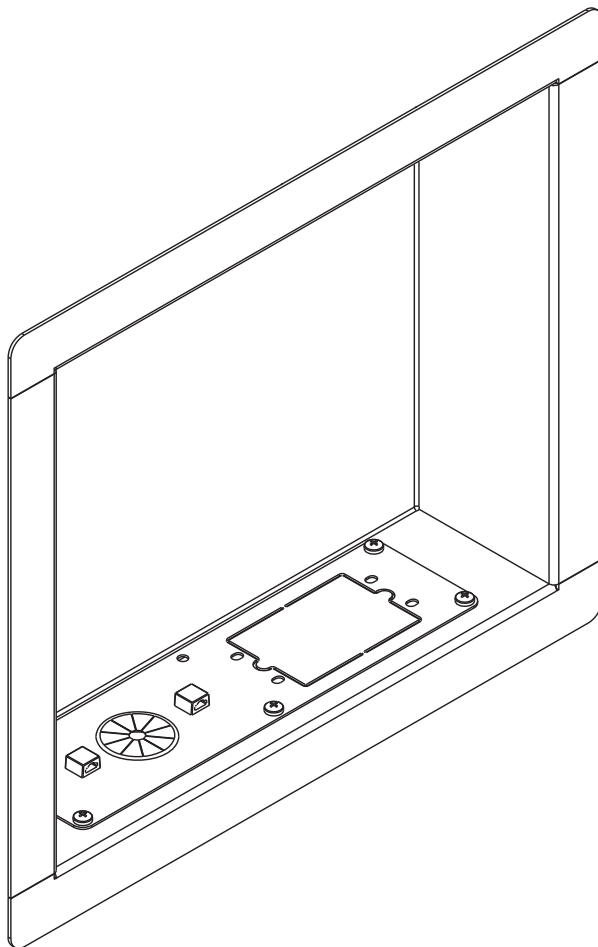




Installation and Assembly: In-wall Accessory Box

Models: IBA1



Note: Read entire instruction sheet before you start installation and assembly.

⚠ WARNING

- Do not begin to install your Peerless product until you have read and understood the instructions and warnings contained in this Installation Sheet. If you have any questions regarding any of the instructions or warnings, please call Peerless customer care at 1-800-865-2112.
- This product should only be installed by someone of good mechanical aptitude, has experience with basic building construction, and fully understands these instructions.
- Make sure that the supporting surface will safely support the combined load of the equipment and all attached hardware and components.
- Never exceed the Maximum Load Capacity.
- If mounting to wood wall studs, make sure that mounting screws are anchored into the center of the studs. Use of an "edge to edge" stud finder is highly recommended.
- Always use an assistant or mechanical lifting equipment to safely lift and position equipment.
- Tighten screws firmly, but do not overtighten. Overtightening can damage the items, greatly reducing their holding power.
- This product was designed and intended to be mounted to the following supporting surfaces checked below with the hardware included in this product as specified in the installation sheet. To mount this product to an alternative supporting surface, contact Peerless customer care at 1 800 865-2112.
- This product was designed to be installed on the following wall construction only;

WALL CONSTRUCTION

- Wood Stud
- Wood Beam
- Solid Concrete
- Cinder Block
- Metal Stud

- Brick
- Drywall

- Other or unsure?

ADDITIONAL HARDWARE REQUIRED

- None
- Contact Customer Service
- Contact Customer Service
- Contact Customer Service
- Do not attach except with Peerless accessory kit ACC415;
Contact Customer Service for Peerless accessory kit ACC415.
- Contact Customer Service
- Do not attach except with Peerless accessory kit ACC415;
Contact Customer Service for Peerless accessory kit ACC415.
- Contact Customer Service

Tools Needed for Assembly

- stud finder ("edge to edge" stud finder is recommended)
- phillips screwdriver
- drill
- 3/16" bit for wood stud wall
- level

Accessories

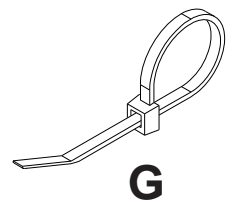
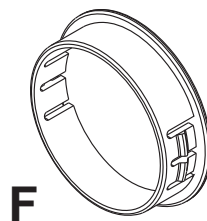
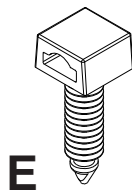
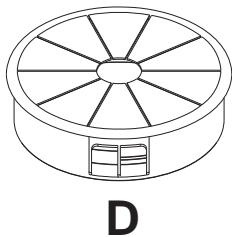
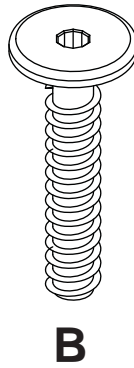
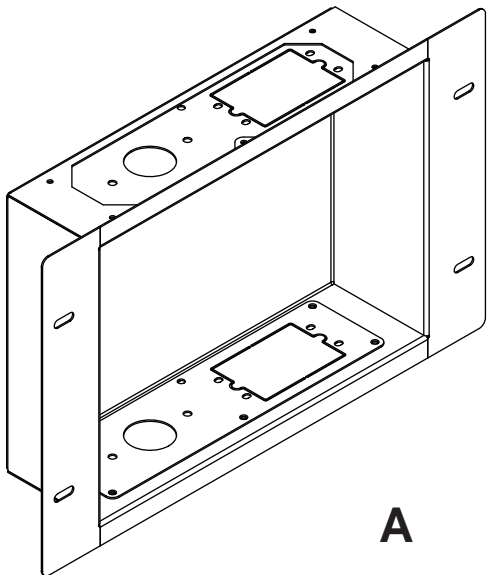
- ACC415 - Metal Stud Fastener Kit (Metal Stud not evaluated by UL)

Table of Contents

Parts List	3
Installation to Wood Stud Wall	4
Cable Management	5

Before you begin, make sure all parts shown are included with your product.
Parts may appear slightly different than illustrated.

Parts List			
	Description	Qty.	Part #
A	in-wall box	1	120-P1172
B	4 mm wood screw	4	500-1090
C	4 mm security driver	1	560-1133
D	cable bushing	2	590-1295
E	cable management clips	4	590-1166
F	plastic finishing cap	2	590-1123
G	cable tie	4	590-1168



Installation to Wood Stud Wall

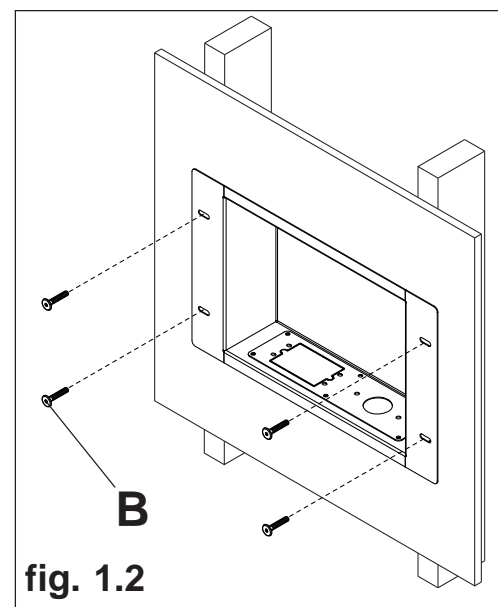
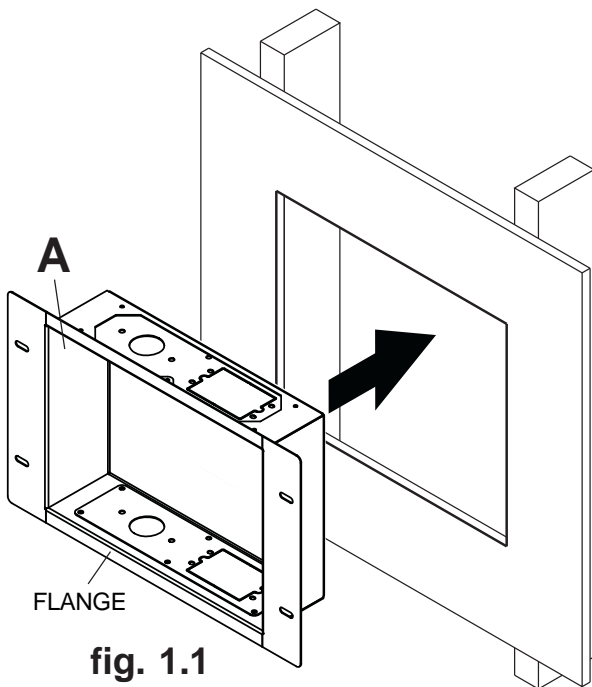
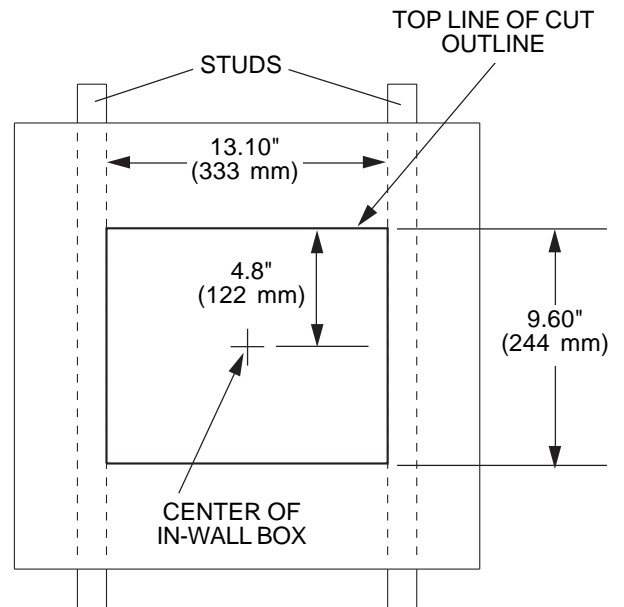
⚠ WARNING

- Installer must verify that the supporting surface will safely support the combined load of the equipment and all attached hardware and components.
- Tighten wood screws so that in-wall box is firmly attached, but do not overtighten. Overtightening can damage the screws, greatly reducing their holding power.
- Never tighten in excess of 80 in. • lb (9 N.M.).
- Make sure that mounting screws are anchored into the center of the stud. The use of an "edge to edge" stud finder is highly recommended.
- Hardware provided is for attachment of mount through standard thickness drywall or plaster into wood studs. Installers are responsible to provide hardware for other types of mounting situations.

1 In-wall box (A) can be installed between two studs 16" off center. Use a stud finder to locate the edges of the stud. Use of an edge-to-edge stud finder is highly recommended. Based on its edges, draw two vertical lines down the inside edges of stud's. Mark desired center of in-wall box. Draw a horizontal line 4.8" (122 mm) above desired center of in-wall box. Draw a second horizontal line 9.60" (244 mm) below this line to outline wall opening between inside edges of studs. Remove drywall inside cut outline.

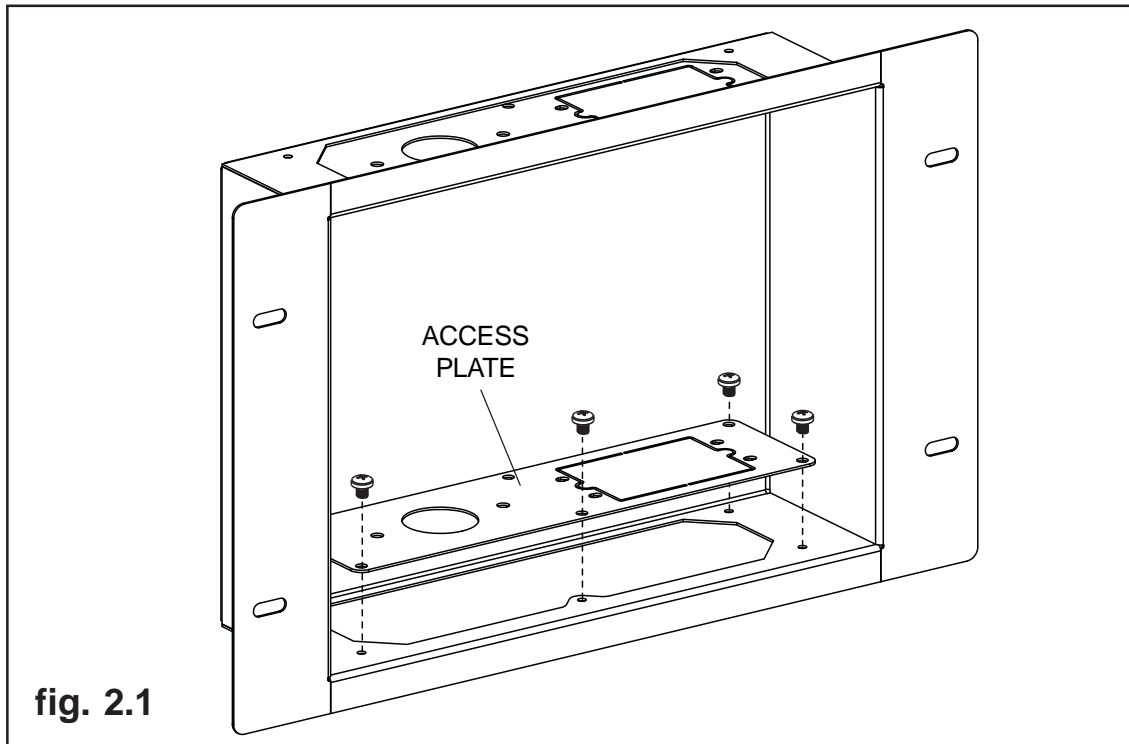
Insert in-wall box (A) into cut-out until in-wall box flange is flush with drywall as shown in fig. 1.1.

Level in-wall box, and drill two mounting holes 1/8" (3 mm) dia. holes 1-1/2" (38 mm) deep using mounting holes on tabs of in-wall box. Make sure in-wall box is level, secure it using four wood screws (B) as shown in figure 1.2.



Cable Management

- 2** For optional installation of electrical gang box, access plates located on the bottom or top of in-wall box can be temporarily removed to install electrical gang box as shown in figure 2.1.



- 2-1** Insert up to four cable management clips (**E**) into the desired positions in the in-wall box as shown in figure 2.2 for routing cables.

Insert cable bushing (**D**) into top or bottom hole of in-wall box for routing cables through in-wall box. Plastic finishing cap (**F**) may also be used if cable management is unnecessary.

Use cable ties (**G**) to secure cables to cable management clips as shown in figure 2.3.

