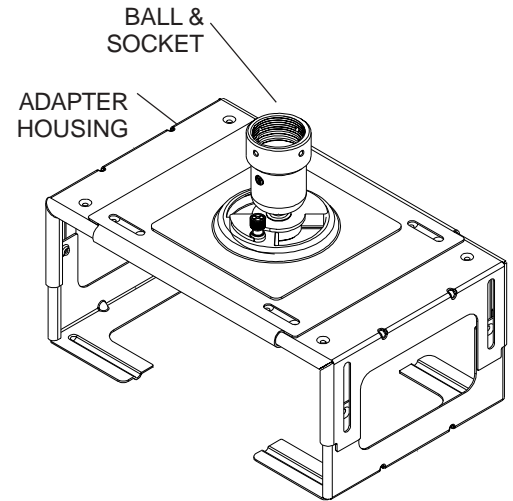


**Models: PAP 35, 40, 45 (Adapter Plate only), PJC 35, 40, 45 (Adapter Plate plus Ball & Socket)**  
 Protected by U.S. Patent No. D480,100.

**The Universal Vector Pro™ Projector Mounts** feature a ball & socket design for multi-directional positioning (roll, pitch and yaw), complete security, and self locating attachment points for a simple installation. The universal surround accommodates a wide range of projectors\*\*\*.

**ORDERING OPTIONS**

**Ball & Socket *only* model \*PJC 100**  
**Adapter Housing *only* model PAP 35, PAP 40 or PAP 45**  
**Adapter Housing *plus* Ball & Socket model PJC 35, PJC 40 or PJC 45**



**IMPORTANT:** For a complete installation, your order should include one Ball&Socket, one Universal Adapter Plate, one extension column (unless using \*\*threaded rod), and one ceiling fixture (several models available) Accessories such as the cord management adapter are optional.

**Features:**

- Armor Lock™ security fasteners secure mount to projector
- Large side openings provide access to projector ports\*\*\*

**Accessories:**

- Fixed and Adjustable length 1 1/2" NPT Extension Columns ("EXT" or "ADJ" models) or 1/2" Threaded Rod (model ACC 820)
  - Ceiling Attachment Plates
  - Cord Management Adapter (ACC 800)
  - Threaded Rod Adapter (ACC 810)
  - Concrete Anchors (accessory kit ACC 205)
  - Cord wrap (ACC 852[W] & ACC 856[W])
  - Armor Lock Plus™ security cable with Kensington® Lock (ACC 020)
  - Armor Lock Plus™ security cable (ACC 021)
  - Side To Side Adjuster (ACC 830)
  - Vibration Absorber (ACC 840 & ACC 845)
- \* **IMPORTANT:** For extension column applications an additional ceiling plate must be purchased

| MODEL # | WEIGHT.      | SHIP WEIGHT. | SHIPPING CARTON DIMENSIONS            |
|---------|--------------|--------------|---------------------------------------|
| PAP 35  | 4.3<br>(1.2) | 4.5<br>(2.1) | 12.25 x 9.75 x 4<br>(311 x 248 x 102) |
| PJC 35  | 5<br>(2.3)   | 5.4<br>(2.4) | 12.75 x 9.75 x 4<br>(324 x 248 x 102) |
| PAP 40  | 5.9<br>(2.7) | 7<br>(3.2)   | 12.25 x 9.75 x 4<br>(311 x 248 x 102) |
| PJC 40  | 6.6<br>(3)   | 6.8<br>(3.1) | 12.25 x 9.75 x 4<br>(311 x 248 x 102) |
| PAP 45  | 7.3<br>(3.3) | 8.5<br>(3.9) | 12.25 x 9.75 x 4<br>(311 x 248 x 102) |
| PJC 45  | 8<br>(3.6)   | 8.1<br>(3.7) | 12.25 x 9.75 x 4<br>(311 x 248 x 102) |

NOTES: All dimensions shown as inch / (mm)

All weights shown as pounds / (kg)

\* See separate Technical Data Sheet for additional PJC 100 dimensions and info.

\*\* Threaded Rod model ACC 802 and Threaded Rod Adapter ACC 810 are available separately.

\*\*\* In order to ensure a proper fit with your projector, verify that your projector fits into the dimensions of the surround and verify that the ports will not be obstructed.

**ARCHITECTS SPECIFICATIONS**

The Universal Vector Pro™ Projector Mounts shall be a Peerless model \_\_\_\_\_ Vector Pro™ and shall be mounted where indicated on the plans. It shall feature 30°(±15°) pitch, 30°(±15°) roll and 360° yaw. It shall be constructed of steel, aluminum and nylon and finished in Black. Installation and assembly shall be done in accordance with the instructions provided by the manufacturer.



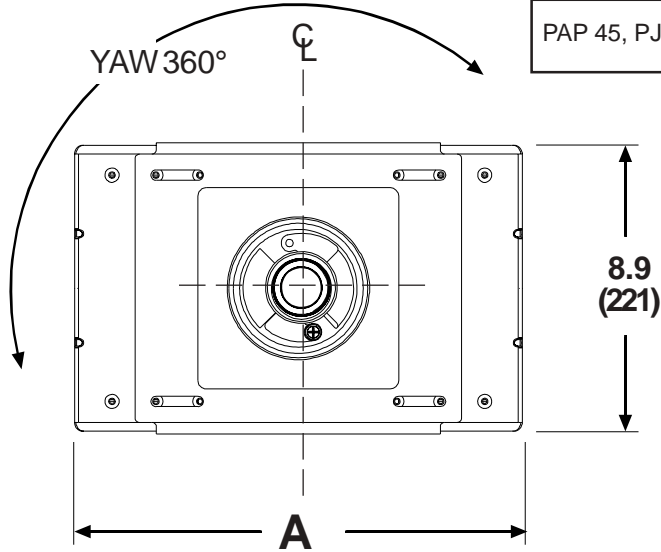
Peerless Industries, Inc. 3215 W. North Ave. Melrose Park, IL 60160  
 708-865-8870 800-865-2112 Fax 708-865-2941 www.peerlessindustries.com

**TECHNICAL DATA SHEET**

**Universal Vector Pro™  
 Projector Mount**

ISSUED: 8-28-01 SHEET # 055-9544-5 11-11-03

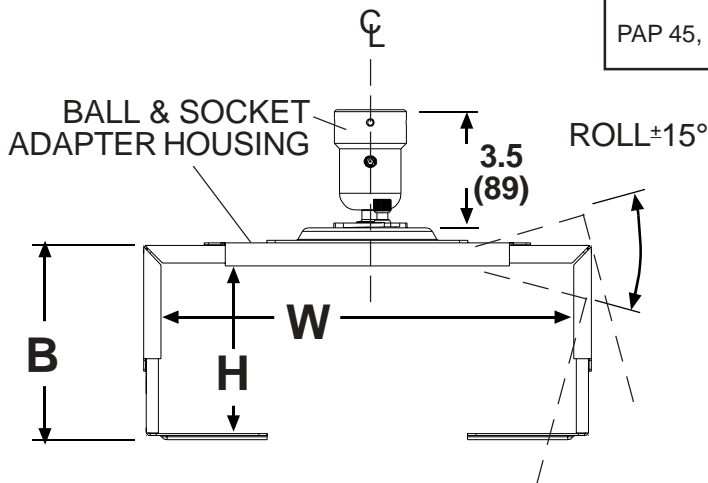
| OUTSIDE DIMENSIONS |                |                |                 |                 |
|--------------------|----------------|----------------|-----------------|-----------------|
| MODEL NUMBER       | MIN. WIDTH (A) | MAX. WIDTH (A) | MIN. HEIGHT (B) | MAX. HEIGHT (B) |
| PAP 35, PJC 35     | 8.5<br>(216)   | 12.75<br>(324) | 2.5<br>(64)     | 4.75<br>(121)   |
| PAP 40, PJC 40     | 9.5<br>(249)   | 16<br>(406)    | 3.75<br>(95)    | 6.5<br>(165)    |
| PAP 45, PJC 45     | 11.75<br>(299) | 20<br>(508)    | 5.25<br>(133)   | 11<br>(279)     |



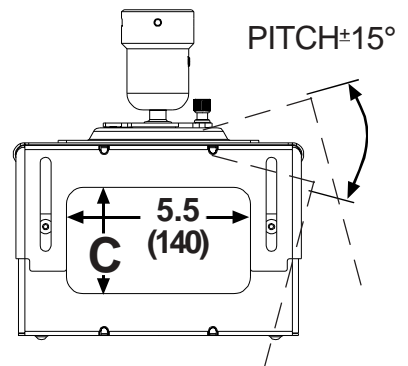
| MODEL#            | MIN/MAX C               |
|-------------------|-------------------------|
| PAP 35,<br>PJC 35 | 1.4 / 3.3<br>(36) (84)  |
| PAP 40,<br>PJC 40 | 1.3 / 3.8<br>(33) (95)  |
| PAP 45,<br>PJC 45 | 3.5 / 8.2<br>(90) (208) |

**TOP VIEW**

| INSIDE DIMENSIONS |                |                |                 |                 |
|-------------------|----------------|----------------|-----------------|-----------------|
| MODEL NUMBER      | MIN. WIDTH (W) | MAX. WIDTH (W) | MIN. HEIGHT (H) | MAX. HEIGHT (H) |
| PAP 35, PJC 35    | 7.5<br>(191)   | 11.5<br>(292)  | 2<br>(51)       | 3.75<br>(95)    |
| PAP 40, PJC 40    | 8.5<br>(216)   | 14.75<br>(375) | 3.25<br>(83)    | 5.5<br>(140)    |
| PAP 45, PJC 45    | 10.75<br>(273) | 18.75<br>(476) | 5.5<br>(140)    | 10<br>(254)     |



**FRONT VIEW**



**SIDE VIEW**

**peerless®**  
Solid Solutions - Solid Support™

Peerless Industries, Inc. 3215 W. North Ave. Melrose Park, IL 60160  
708-865-8870 800-865-2112 Fax 708-865-2941 www.peerlessindustries.com

TECHNICAL DATA SHEET

**Universal Vector Pro™  
Projector Mount**

ISSUED: 8-28-01 SHEET # 055-9544-5 11-07-03

page 2 of 2

©2003 Peerless Industries, Inc. All rights reserved.  
Peerless is a registered trademark of Peerless Industries, Inc.  
Vector Pro is a trademark of Peerless Industries, Inc.  
All other brand and product names are trademarks or registered trademarks of their respective owners.