

TECHNICAL DATA SHEET - DVD/VCR Mount Bracket For Flat Panels

peerless®

MODELS: ACC932, ACC932-S

DVD Bracket for Flat Panels

Accessories:

- ACC919
- VESA 75x75, 100x100, 100x200, 200x100, 200x200

Dimensions:

Weight:

4.2 lbs (1.9 kg)

Shipping weight:

6.0 lbs (2.7 kg)

Maximum Load Capacity:

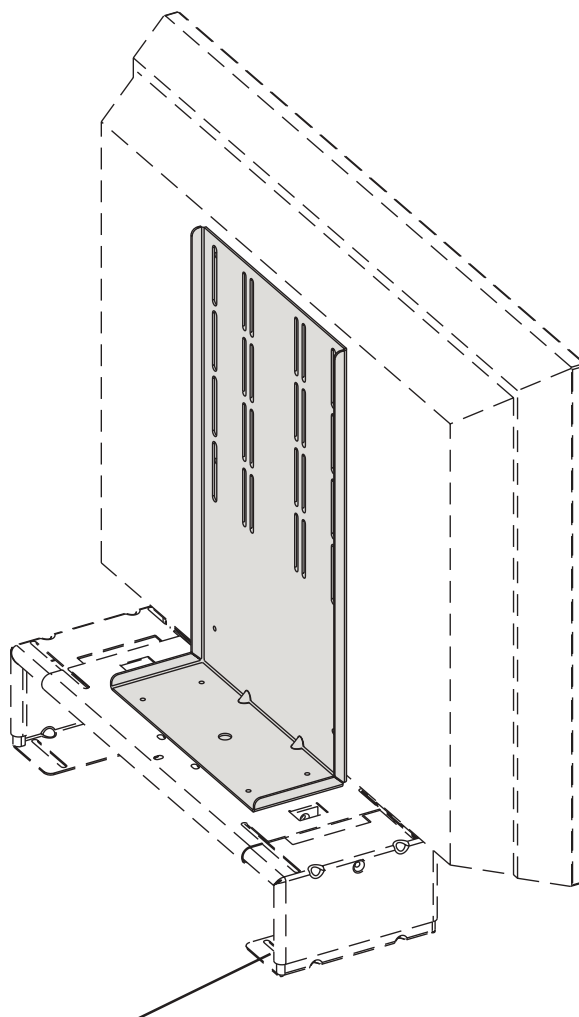
30.00 lb (13.6 kg)

Shipping Carton dimensions:

L = 20.25 in (514 mm)

W = 12.25 in (311 mm)

H = 4.13 in (105 mm)



Shown with Peerless DVD/VCR mount-sold separately

ARCHITECTS SPECIFICATIONS

The DVD/VCR Mount Bracket for Flat Panels shall be a Peerless model **ACC932, ACC932-S** and shall be mounted where indicated on the plans. It shall be constructed of heavy gauge cold rolled steel, and finished with scratch resistant Black Fused Epoxy. Assembly and installation shall be done according to instructions provided by the manufacturer.

Peerless Industries, Inc.

3215 W. North Ave. Melrose Park, IL 60160
708-865-8870 800-865-2112 Fax 708-865-2941

www.peerlessmounts.com

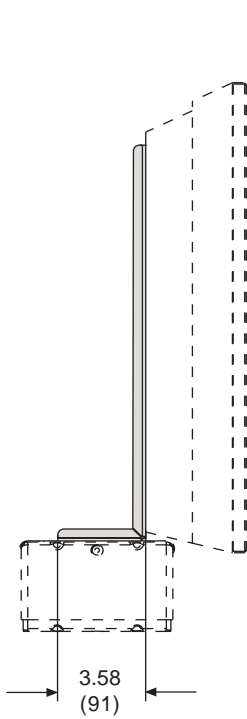
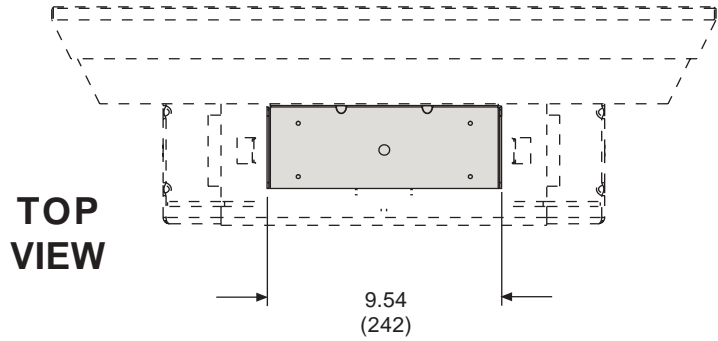
ISSUED: 04-05-07 SHEET NO: 120-9519-2 REVISION: 05-22-07

©2007 Peerless Industries, Inc. All rights reserved.
Peerless is a registered trademark of Peerless Industries, Inc.
All other brand and product names are trademarks or registered trademarks of their respective owners.

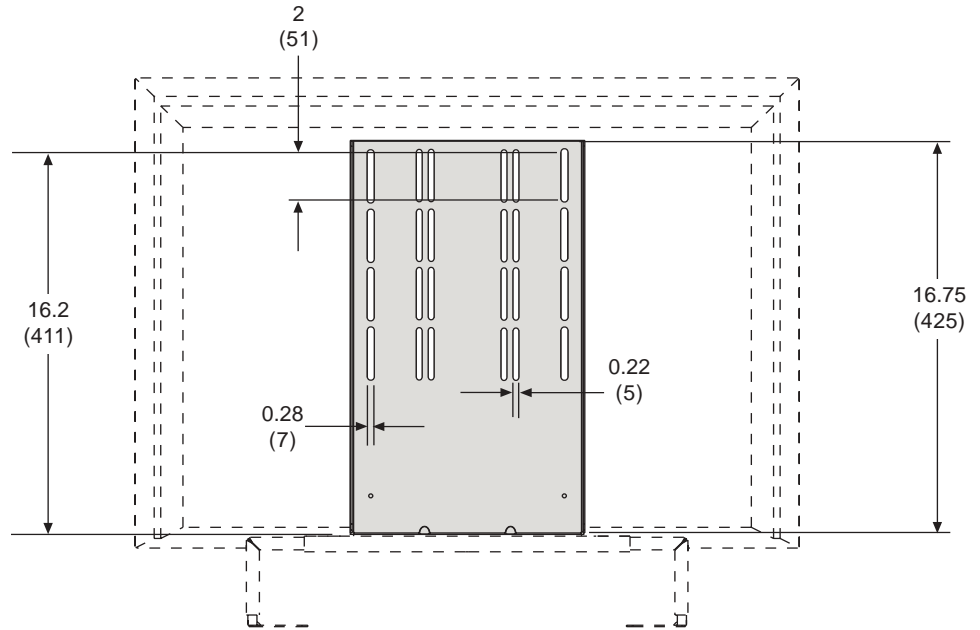
TECHNICAL DATA SHEET

MODELS: ACC932, ACC932-S

ALL DIMENSION = INCH
(MM)



SIDE VIEW

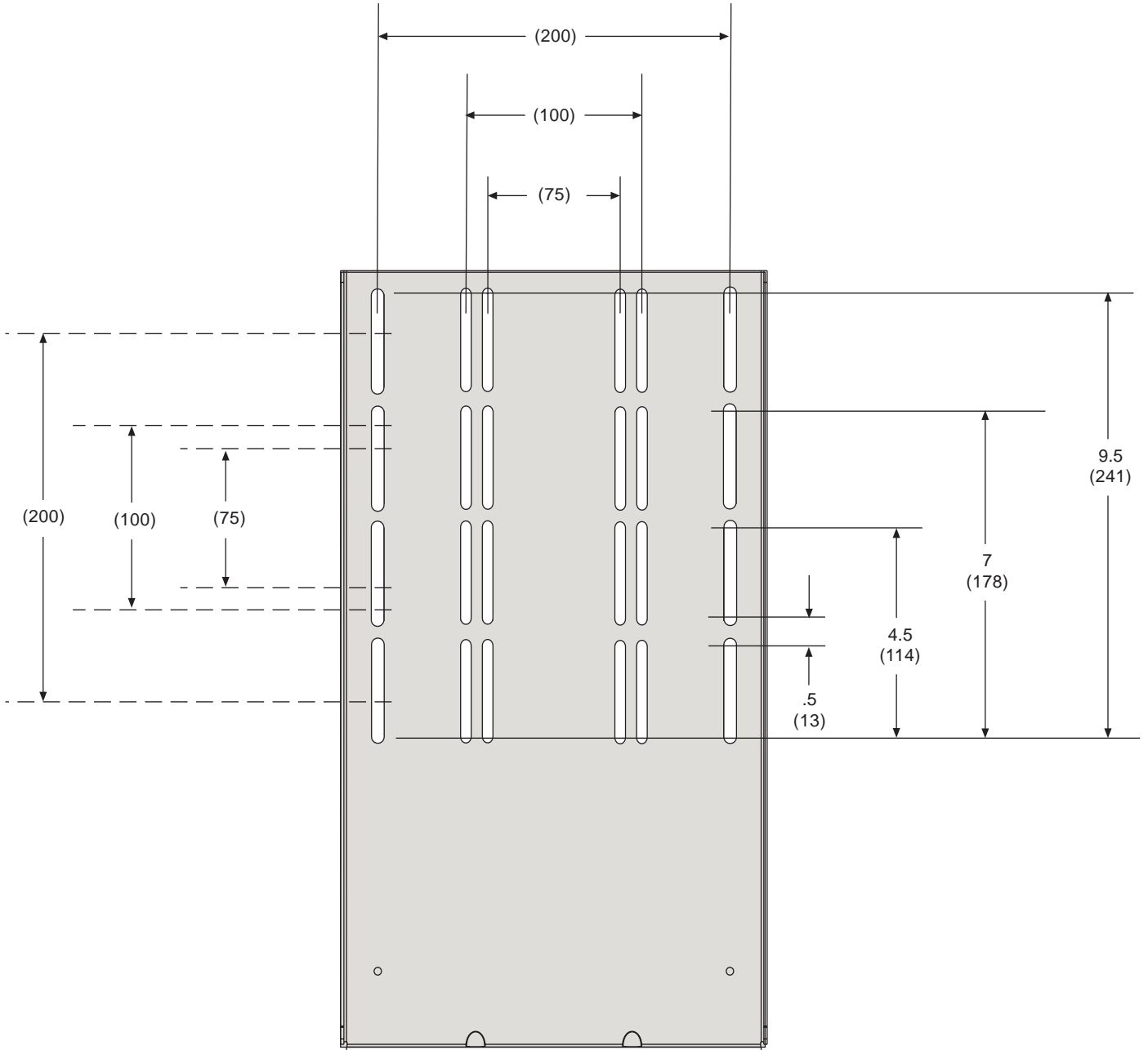


BACK VIEW

TECHNICAL DATA SHEET

MODELS: ACC932, ACC932-S

ALL DIMENSION = INCH
(MM)



ADAPTER PLATE