

ACC951

## A/V Component Shelf Accessory Bracket For Peerless Large SA Mounts

It's easy to get components close to the screen. Just add a shelf to Peerless SA series mount with the A/V Component Shelf Accessory Bracket. This simple-to-install component support maximizes available space and eliminates the need for furniture near a screen. Simply use A/V Component Shelf Accessory Bracket to attach a component shelf to any large SA series Peerless mount. The accessory bracket enables 2.5" of height adjustability and cable management, providing a brilliant solution for creating streamlined installations.

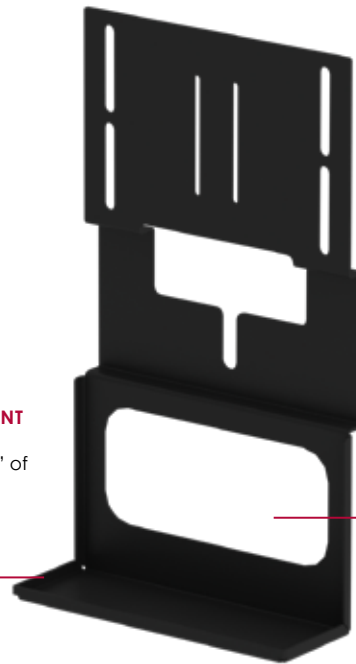


Max load: up to 30lb (13.6kg)

### FEATURES

- Designed specially for Peerless SA752P(U), SA761P(U), SA763PU, SA771P(U) model articulating mounts
- Connects to DS and VPM AV Component Shelves
- Supplies 2.5" of shelf height adjustability
- Holds up to 30lb (13.6kg)

■ **SHELF ADJUSTMENT**  
Components fit perfectly with 2.5" of shelf adjustability



■ **CABLE ACCESS**  
Generous cable access allows cables and cords to be fastened to mount arms, keeping installations neat and clean



Connects to Peerless SA752P(U), SA761P(U), SA763PU, SA771P(U) model articulating mounts, sold separately



DS and VPM AV Component shelves, sold separately



**ACC951:** A/V Component Shelf Accessory Bracket for Peerless Large SA Mounts

**Product Specifications**

	DIMENSIONS (W x H x D)	PRODUCT WEIGHT	LOAD CAPACITY	FINISH	AVAILABLE COLORS
ACC951	18.46" x 10.5" x 4.62" (469 x 267 x 117mm)	5.1lb (2.3kg)	30lb (13.6kg)	Scratch resistant fused epoxy	Gloss black

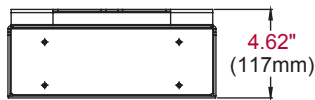
**Package Specifications**

	PACKAGE SIZE (W x H x D)	PACKAGE SHIP WEIGHT	PACKAGE UPC CODE	PACKAGE CONTENTS	UNITS IN PACKAGE
ACC951	19.8" x 11.5" x 3.9" (503 x 292 x 99mm)	7.1lb (3.2kg)	735029274780	Adapter bracket	1

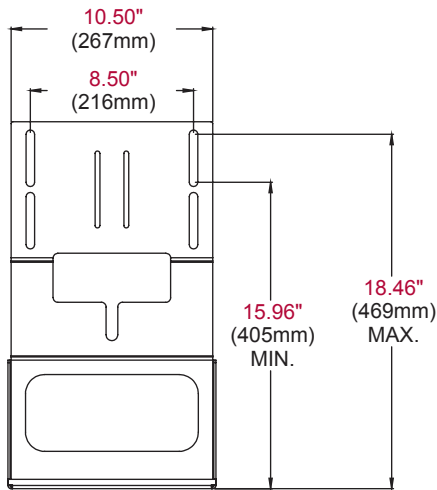
**Accessories**

Component Shelves:	MODEL	Color	Width Range	Height Range
	VPM25-J	Black	13.25"-17.25" (337-438mm)	1.5"-2.75" (38-70mm)
	VPM35-J	Black	10.25"-14.25" (260-362mm)	2.69"-4.5" (68-114mm)
	VPM40-J	Black	13.25"-17.25" (337-438mm)	2.69"-4.5" (68-114mm)
	VPM40-JS	Silver	13.25"-17.25" (337-438mm)	2.69"-4.5" (68-114mm)
	VPM45-J	Black	13.25"-17.25" (337-438mm)	4.25"-5.75" (108-146mm)
	VPM25-W	Black	13.25"-17.25" (337-438mm)	1.5"-2.75" (38-70mm)
	VPM40-W	Black	13.25"-17.25" (337-438mm)	2.69"-4.5" (68-114mm)
	VPM35-S	Black	10.25"-14.25" (260-362mm)	2.69"-4.5" (68-114mm)
	VPM40-S	Black	13.25"-17.25" (337-438mm)	2.69"-4.5" (68-114mm)
	VPM45-S	Black	13.25"-17.25" (337-438mm)	4.25"-5.75" (108-146mm)
	DS25	Black	13.25"-17.25" (337-438mm)	1.5"-2.75" (38-70mm)
	DS35	Black	10.25"-14.25" (260-362mm)	2.69"-4.5" (68-114mm)
	DS40	Black	13.25"-17.25" (337-438mm)	2.69"-4.5" (68-114mm)
	DS45	Black	13.25"-17.25" (337-438mm)	4.25"-5.75" (108-146mm)

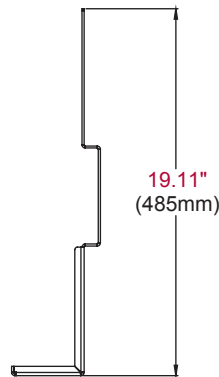
All dimensions = inch (mm)



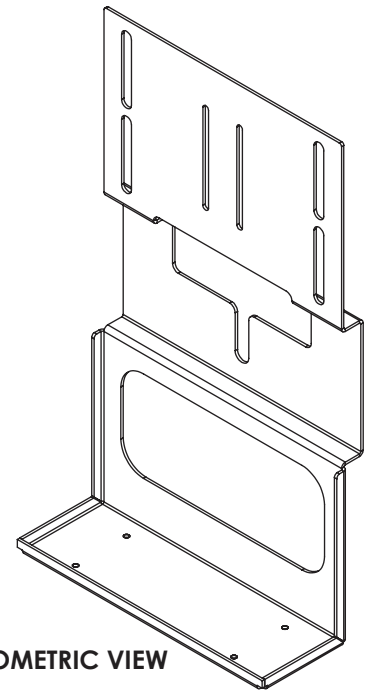
TOP VIEW



FRONT VIEW



SIDE VIEW



ISOMETRIC VIEW

**ARCHITECTS SPECIFICATIONS**

The A/V Component Shelf Accessory Bracket shall be a Peerless model ACC951 and shall be mounted where indicated on the plans. It shall be constructed of heavy gauge cold rolled steel, and finished with scratch resistant Black Fused Epoxy. Assembly and installation shall be done according to instructions provided by the manufacturer.