



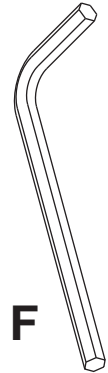
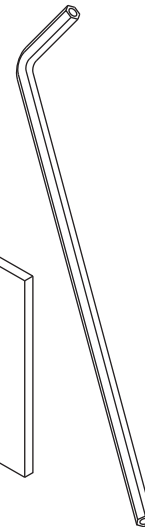
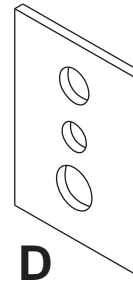
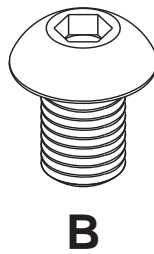
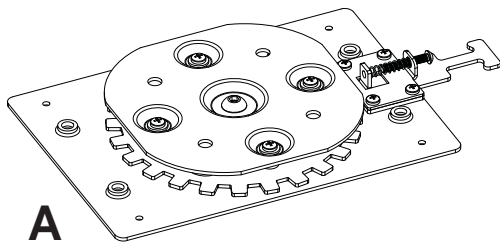
Installation and Assembly: Rotational Mount Interface

Models: RMI1

*Before you begin, make sure all parts shown are included with your product.
Parts may appear slightly different than illustrated.*

Parts List

Description	Qty.	Part #
A universal rotational mount	1	120-1183
B M10 x 15 mm round socket head screw	8	520-9262
C M6 x 10 mm socket pin head screw	4	520-1066
D multi-washer	4	580-1036
E 4 mm security allen wrench	1	560-1727
F 6 mm allen wrench	1	560-9716



Accessories

- ACC170 - Rotational Mount Adapter Plate for Carts and Stands

Attaching Rotational Mount to PLP Model Adapter Plate

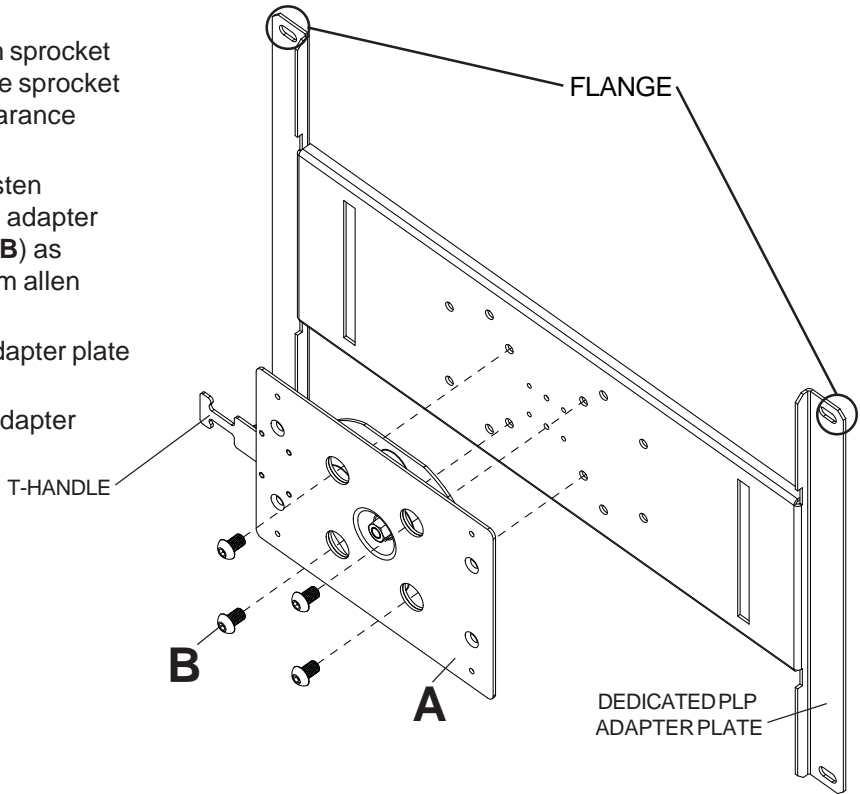
NOTE: Dedicated PLP model adapter plate not included. For screen compatibility please call customer care to purchase a dedicated PLP adapter plate.

- 1 If necessary, disengage T-handle from sprocket plate of rotational mount (A) and rotate sprocket so largest hole pattern aligns with clearance holes of sprocket.

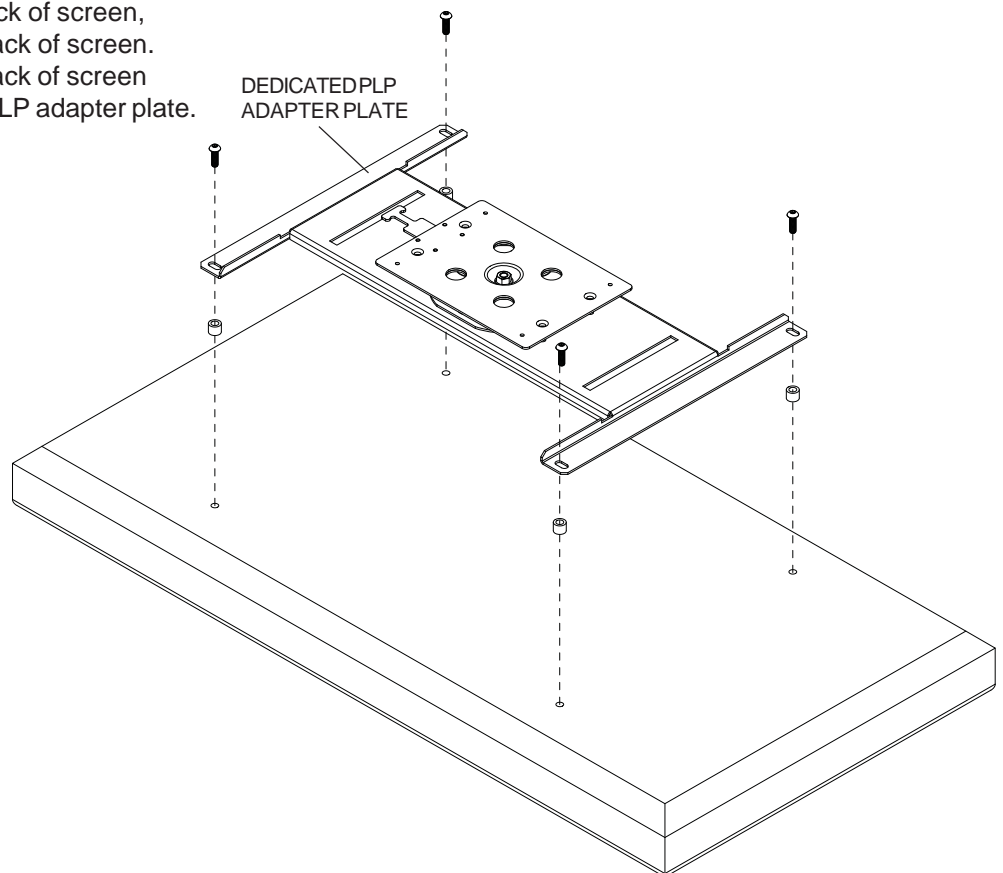
Align inner most M10 hole set and fasten rotational mount assembly (A) to PLP adapter plate with four M10 x 15 mm screws (B) as shown. Tighten all fasteners with 6 mm allen wrench (F).

NOTE: Be sure outer flange of PLP adapter plate face away from rotational mount.

NOTE: Skip step 2 if dedicated PLP adapter plate is already attached to screen.

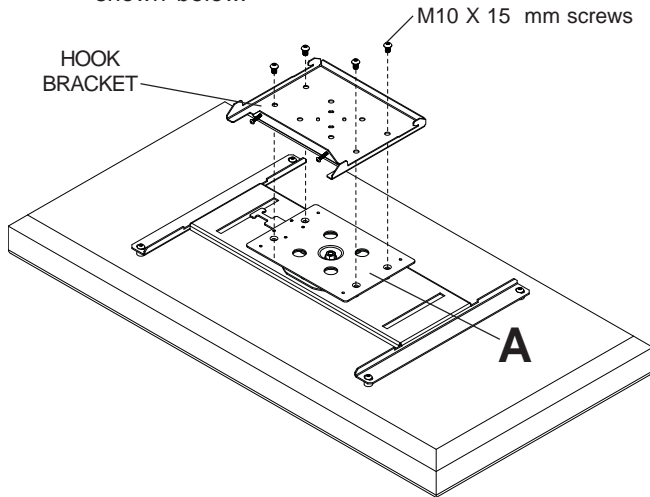


- 2 Place PLP adapter plate on back of screen, align to holes, and center on back of screen. Secure PLP adapter plate to back of screen using fasteners provided with PLP adapter plate.



Installing Wall Mount Hook Bracket

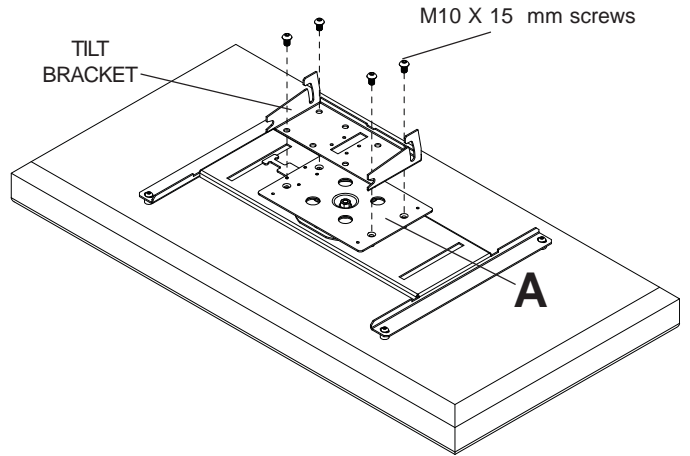
- 3-1** Attach hook bracket to rotational mount (A) using the M10 x 15 mm screws provided with hook bracket as shown below.



NOTE: Reinstall hook bracket to wall mount according to wall mount instructions.

Installing Ceiling Mount Tilt Bracket

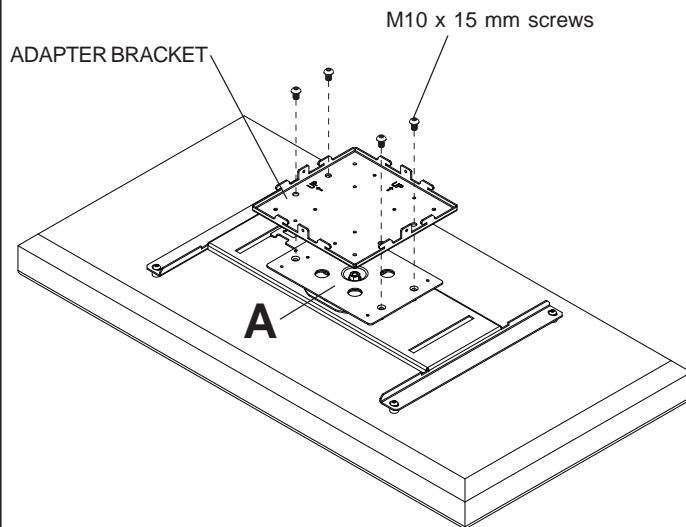
- 3-2** Attach tilt bracket to rotational mount (A) using the M10 x 15 mm screws provided with tilt bracket as shown below.



NOTE: Reinstall tilt bracket to ceiling mount according to ceiling mount instructions.

Installing Stand Adapter Bracket

- 3-3** Attach adapter bracket to rotational mount (A) using the M10 x 15 mm screws provided with adapter bracket as shown below.

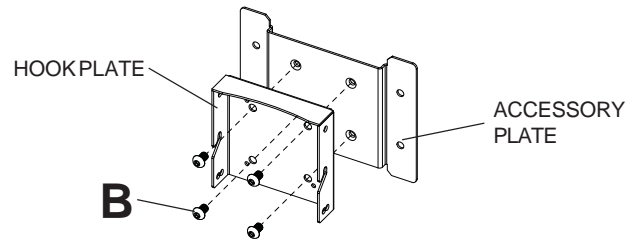


NOTE: Reinstall adapter bracket to LCD stand according to stand instructions.

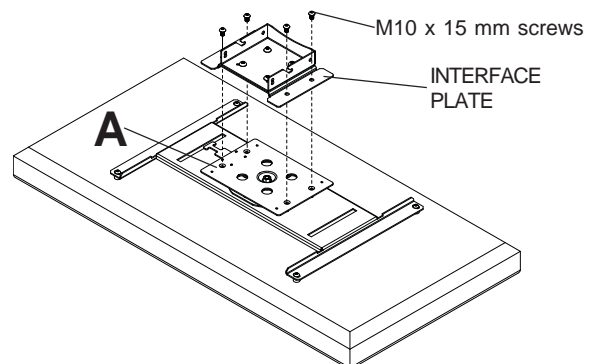
Installing SR Cart and SS Stand Hook Plate

- 3-4** **NOTE:** The ACC170 (sold separately) accessory is required.

Align inner holes of accessory plate to inner holes of hook plate. Attach accessory plate to hook plate using four M10 x 15 mm screws (B) with 6 mm allen wrench (F) as shown below.



Attach interface plate to rotational mount (A) using the M10 x 15 mm screws provided with hook plate as shown below.



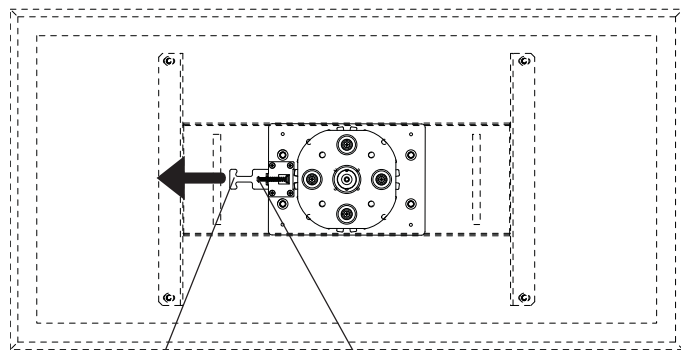
NOTE: Reinstall hook plate to cart or stand according to instructions included with cart or stand

Adjustment of Orientation

⚠ WARNING

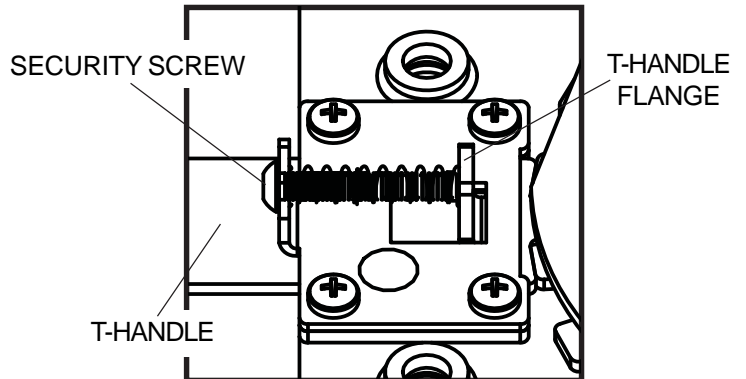
- It may be necessary to disconnect cables before rotating into extreme angles. Failure to do so may result in property damage or serious injury.
- Always use an assistant or mechanical lifting equipment to safely lift, position, and align equipment.

4 Pull T-handle to release sprocket as shown in figure 4.1, allowing rotation of screen to desired viewing angle as shown in figure 4.2. Release T-handle and engage with sprocket to restrict rotation of screen.



T-HANDLE SECURITY SCREW **fig. 4.1**

5 **OPTIONAL:** To prevent screen rotation, fully tighten security screw against T-handle flange as shown in detail 1.



DETAIL 1

To rotate screen, disengage security screw from T-handle flange using 4 mm security allen wrench (E) until screw tip is flush with access window as shown in detail 2 and follow step 4.

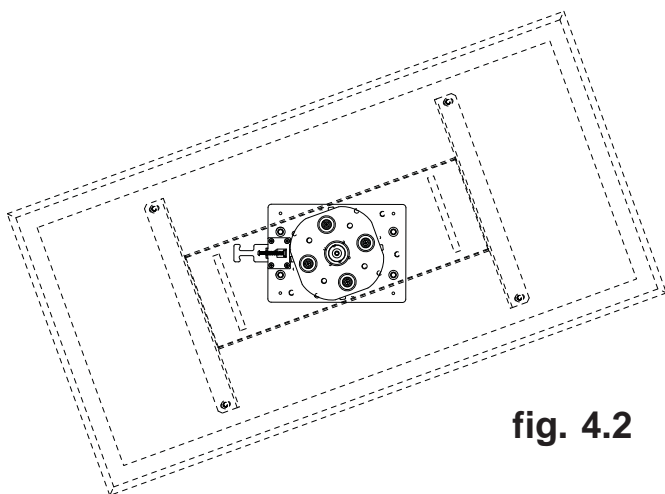
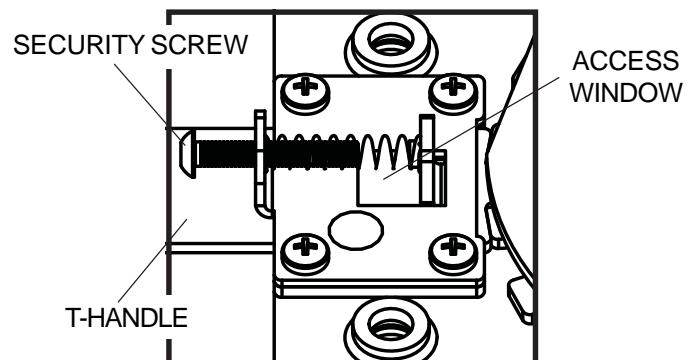


fig. 4.2



DETAIL 2