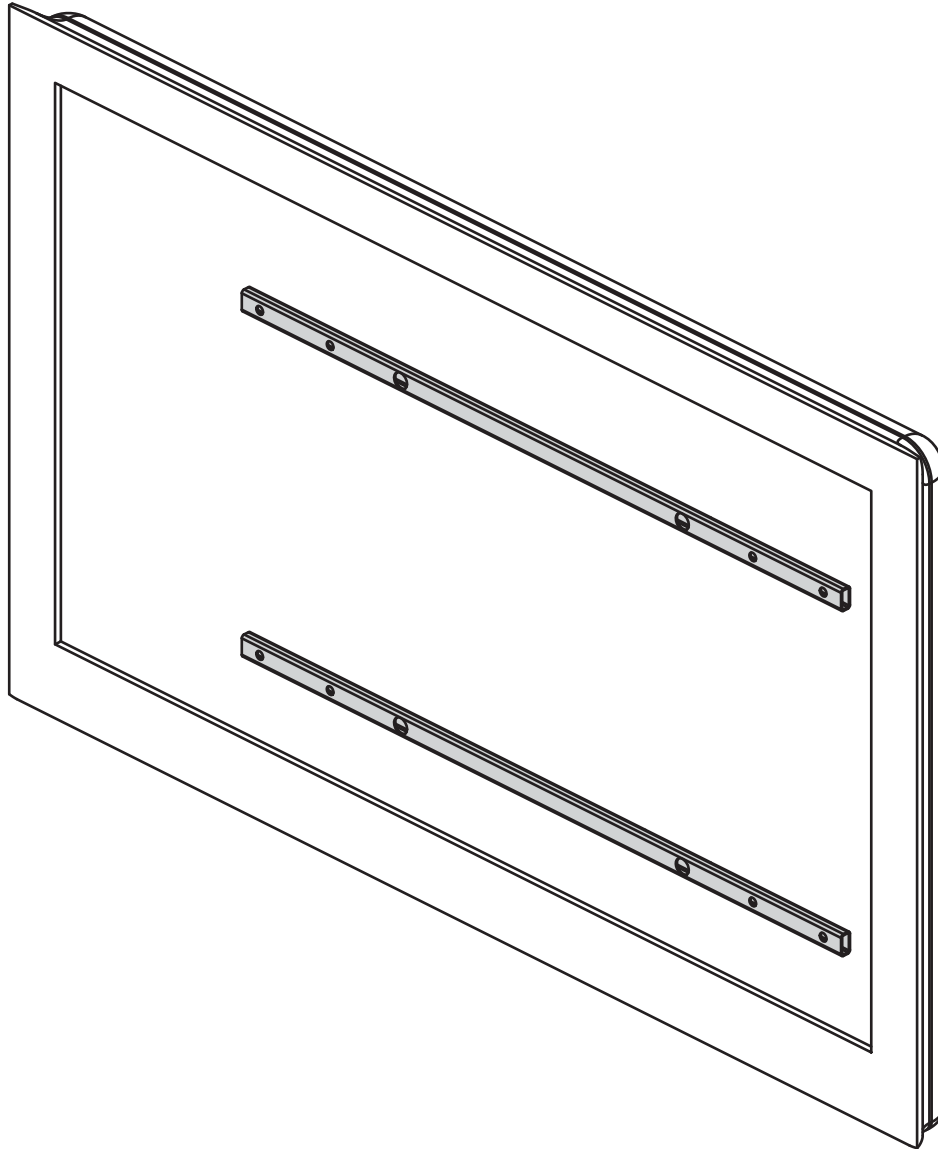




Installation and Assembly: **Accessory Adapter Brackets**

Model: ACC-V800X

Maximum Load Capacity:
See max load capacity listed
on your models accompanying
instruction manual



IMPORTANT! Read instruction sheet before you start installation and assembly.

⚠ WARNING

- Do not begin to install your Peerless product until you have read and understood the instructions and warnings contained in this Installation Sheet. If you have any questions regarding any of the instructions or warnings, for US customers please call Peerless customer care at 1-800-865-2112, for all international customers, please contact your local distributor.
- This product should only be installed by someone of good mechanical aptitude, has experience with basic building construction, and fully understands these instructions.
- Make sure that the supporting surface will safely support the combined load of the equipment and all attached hardware and components.
- Never exceed the Maximum Load Capacity. See page one.
- Always use an assistant or mechanical lifting equipment to safely lift and position equipment.
- Tighten screws firmly, but do not overtighten. Overtightening can damage the items, greatly reducing their holding power.
- This product is intended for indoor use only. Use of this product outdoors could lead to product failure and personal injury.

Tools Needed for Assembly

- phillips screwdriver
- level

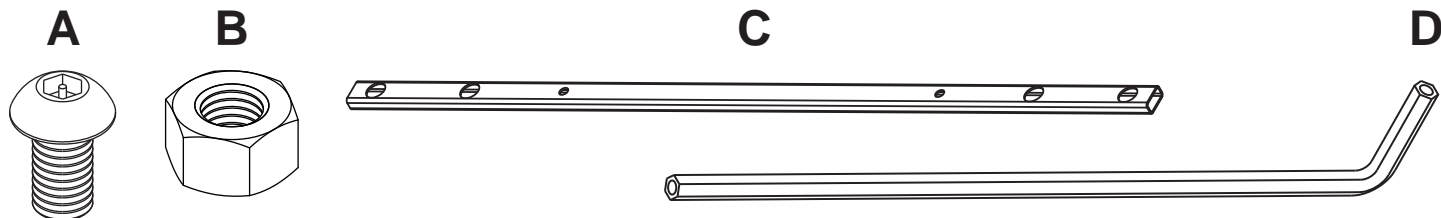
Table of Contents

Parts List.....	2
Attaching Adapter Plate to Screen.....	3

Before you begin, make sure all parts shown are included with your product.

Parts may appear slightly different than illustrated.

Parts List		
Description	Qty.	Part #
A M8 x 15 socket pin screw	4	520-1068
B M8 nylock nut	4	530-9408
C adapter rail	2	145-1267
D allen wrench	1	560-9646

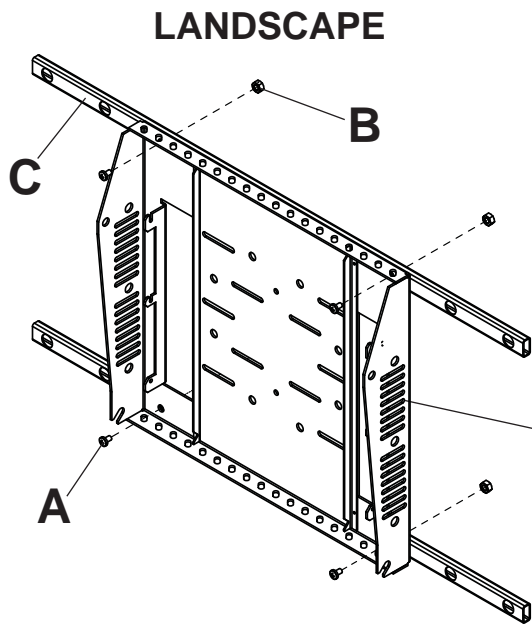


Attaching Adapter Brackets

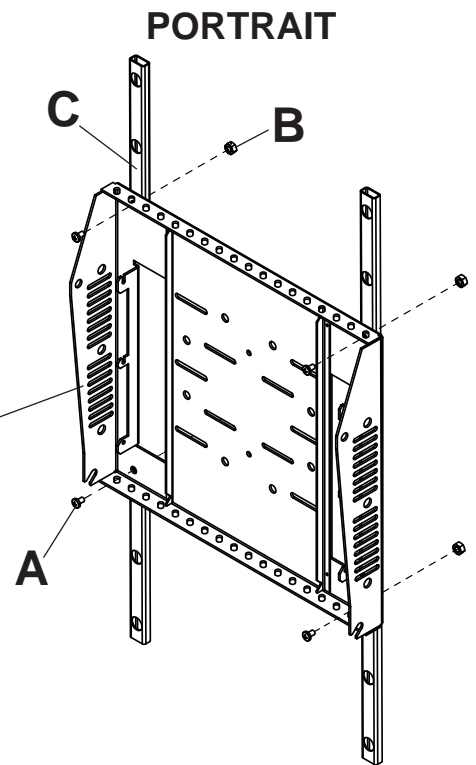
- 2 Attach adapter brackets (C) to adapter plate (sold separately) using four M8 x 15 mm socket pin screws (A), and M8 nylock nuts (B) in landscape or portrait orientation as shown below. Tighten using allen wrench (D). **NOTE:** Adapter plate may appear different than in the images shown.

⚠ WARNING

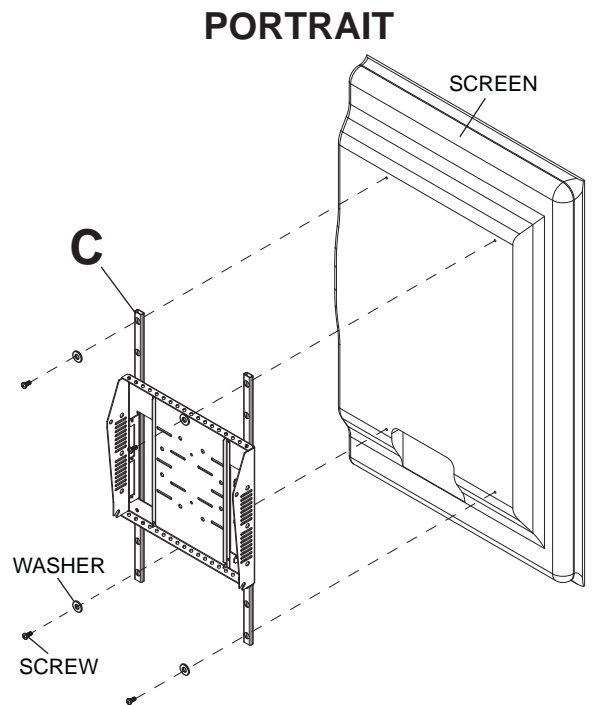
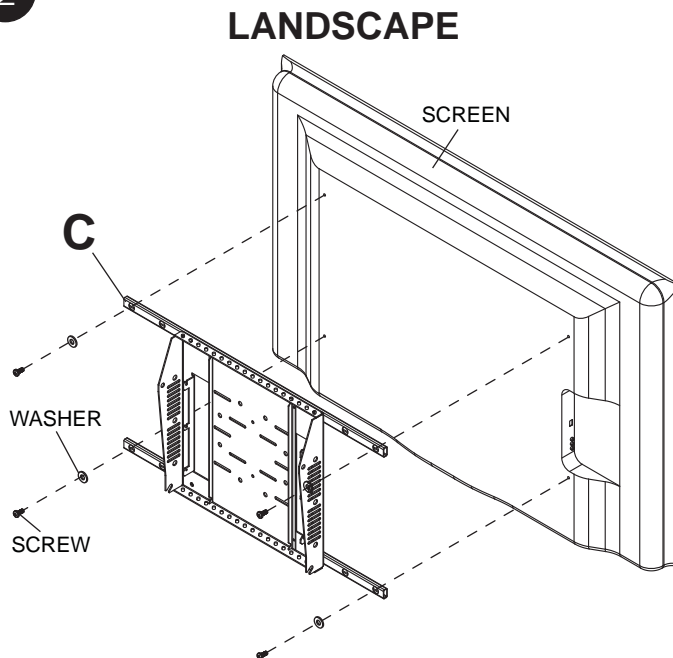
- If screws don't get three complete turns in the screen inserts or if screws bottom out and bracket is still not tightly secured, damage may occur to screen or product may fail.



adapter plate
(supplied separately)



- 2 Attach adapter brackets (C) to back of screen using screws and washers provided with your model.



- 3 Continue installation using your models instruction manual.

LIMITED FIVE-YEAR WARRANTY

Peerless Industries, Inc. ("Peerless") warrants to original end-users of Peerless® products will be free from defects in material and workmanship, under normal use, for a period of five years from the date of purchase by the original end-user (but in no case longer than six years after the date of the product's manufacture). At its option, Peerless will repair or replace, or refund the purchase price of, any product which fails to conform with this warranty.

In no event shall the duration of any implied warranty of merchantability or fitness for a particular purpose be longer than the period of the applicable express warranty set forth above. Some states do not allow limitations on how long an implied warranty lasts, so the above limitation may not apply to you.

This warranty does not cover damage caused by (a) service or repairs by the customer or a person who is not authorized for such service or repairs by Peerless, (b) the failure to utilize proper packing when returning the product, (c) incorrect installation or the failure to follow Peerless' instructions or warnings when installing, using or storing the product, or (d) misuse or accident, in transit or otherwise, including in cases of third party actions and force majeure.

In no event shall Peerless be liable for incidental or consequential damages or damages arising from the theft of any product, whether or not secured by a security device which may be included with the Peerless® product. Some states do not allow the exclusion or limitation of incidental or consequential damages, so the above limitation or exclusion may not apply to you.

This warranty is in lieu of all other warranties, expressed or implied, and is the sole remedy with respect to product defects. No dealer, distributor, installer or other person is authorized to modify or extend this Limited Warranty or impose any obligation on Peerless in connection with the sale of any Peerless® product.

This warranty gives specific legal rights, and you may also have other rights which vary from state to state.



www.peerlessmounts.com

© 2011 Peerless Industries, Inc.