

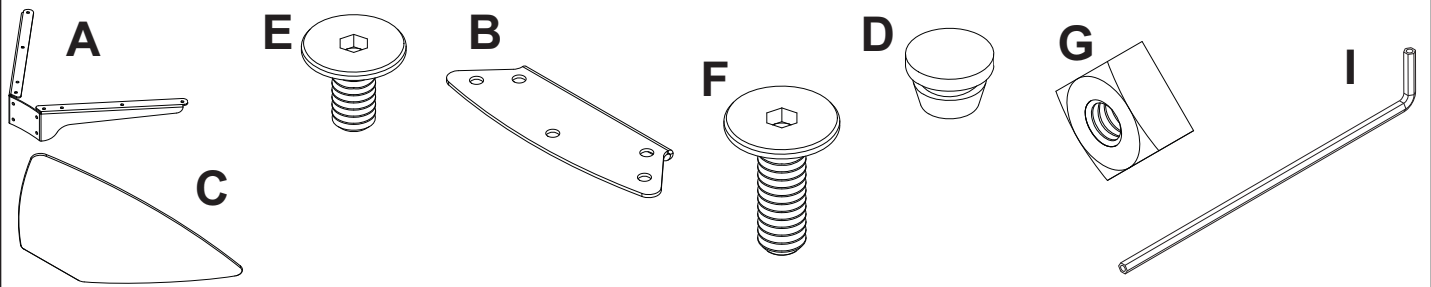
Installation and Assembly: Glass Shelf

Model: ACC317, ACC317-S,
ACC318, ACC318-GB,
ACC318-S

Before you begin, make sure all parts shown are included with your product.

Parts List

Description	Qty.	ACC317 Part #	ACC317-S Part #	ACC318 Part #	ACC318-GB Part #	ACC318-S Part #
A shelf support	1	201-1158	201-4158	201-1158	201-P1158	201-4158
B shelf clamp bracket	1	201-1159	201-4159	201-1159	201-P1159	201-4159
C glass shelf	1	590-0208	590-0208	590-1208	590-1208	590-1208
D button bumper	9	590-1209	590-1209	590-1209	590-1209	590-1209
E 1/4-20 x 12mm decorative screw	4	520-2325	520-1325	520-2325	520-2325	520-1325
F 1/4-20 x 20mm decorative screw	2	520-2326	520-1326	520-2326	520-2326	520-1326
G 1/4-20mm nut	6	530-1050	530-2031	530-1050	530-1050	530-2031
I 4mm allen wrench	1	560-9646	560-9646	560-9646	560-9646	560-9646



NOTE: If you are adding new shelf to an already assembled product, reverse steps up to the shelf installation step (removing screen and adapter plate) following the main instruction sheet.

- 1** Loosely attach four 1/4-20 x 12 mm screws (E) and 1/4-20 nuts (G) to shelf support (A).

NOTE: Refer to main instruction sheet for max shelf height.

- 2** Slide shelf support (A) onto upright so that 1/4-20 nuts (G) slide into slots of upright as shown in figure 2 and detail 1. Slide shelf support to desired position, level, then tighten 1/4-20 x 12mm screws (E) using 4 mm allen wrench (I).

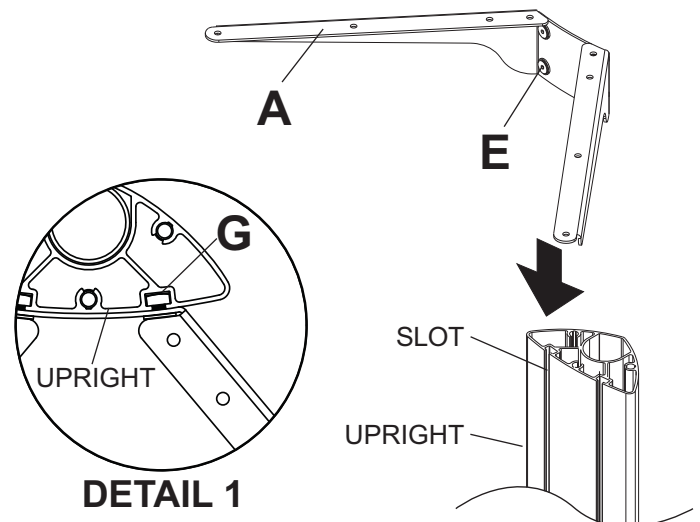
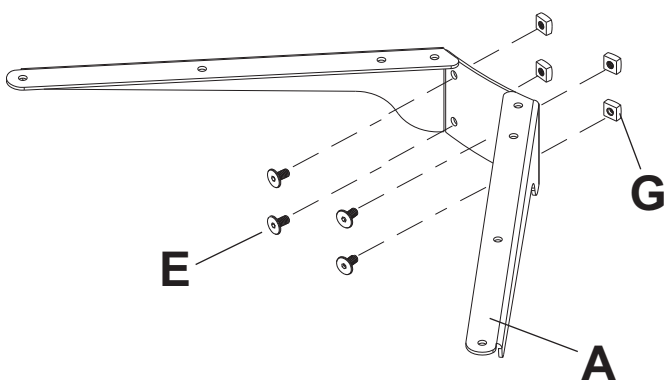
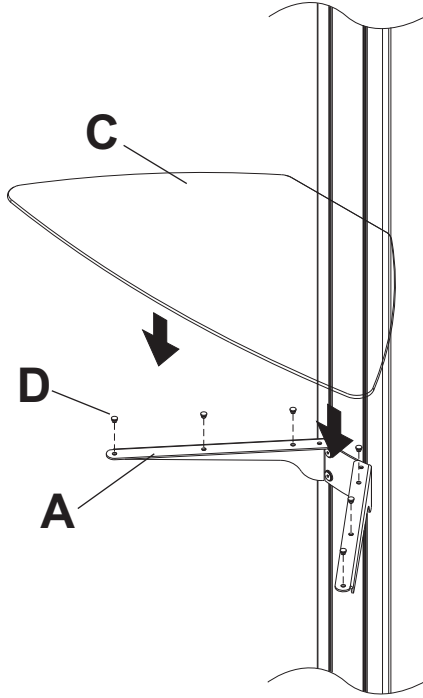


fig 2.1

- 3** Insert six button bumpers (D) into shelf support (A). Place glass shelf (C) on shelf support.



- 4** Insert three button bumpers (D) into bottom of shelf clamp bracket (B).

Attach shelf clamp bracket (B) to shelf support (A) using two 1/4-20 x 20mm screws (F) and two 1/4-20 nuts (G). Repeat steps 1 through 4-1, for second shelf installation.

NOTE: After both shelves are installed, continue with installation using the main instruction sheet.

