

Installation and Assembly - Light Duty Camera Mount

Patent Pending

Model: *CMR 405, CMR 410

* CMR 405 is not UL listed



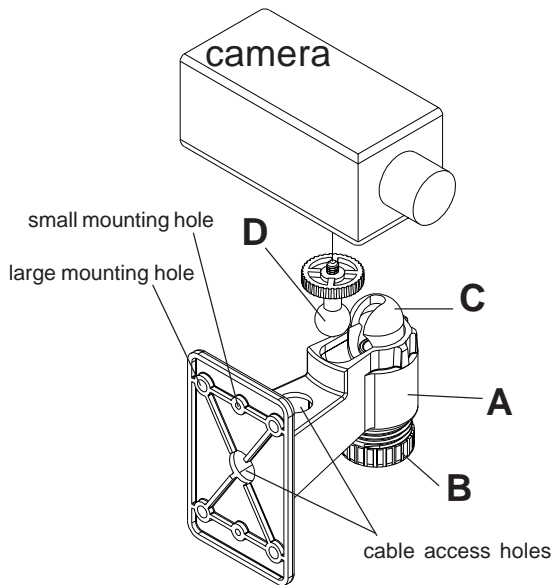
This product must be installed by a qualified, professional installer.

MAXIMUM LOAD CAPACITY: 10 lb (4.5 kg)

IMPORTANT! Read entire instruction sheet before you start installation and assembly. Fasteners for wall attachment to be provided by installer.

⚠ WARNING

- Installer must verify that the wall will safely support four times the combined weight of all attached equipment and hardware.



PEERLESS 5" SECURITY CAMERA MOUNT (CMR 405)

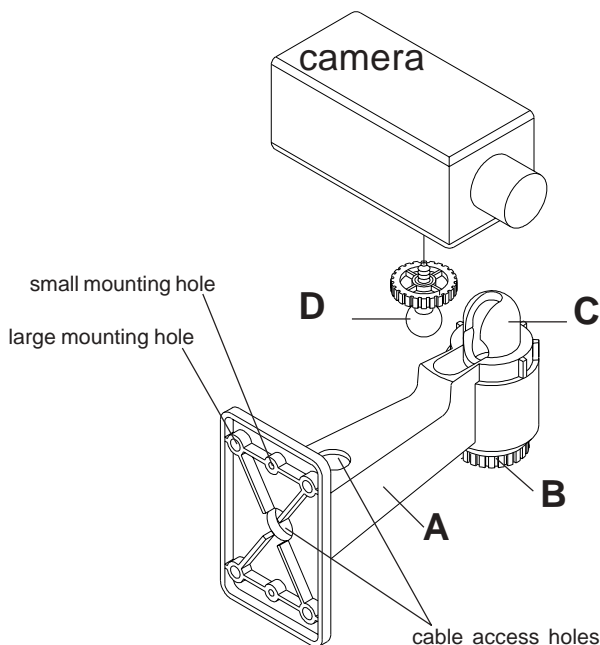
- 1** Camera housing (A) may be attached to wall or ceiling via the four large mounting holes, or directly to a standard electrical outlet box via two small mounting holes. Hardware for attaching camera housing to mounting surface is not included.

Note: Peerless Industries recommends using #14 x 2.5 phillips hex wood screws.

- 2** **Ball Stud Removal. Note:** Ball stud removal may not be necessary for camera attachment. Loosen tension screw (B) several turns. Rotate socket (C) as pictured. Push down on ball stud (D) and remove by passing through hole in socket (C).

- 3** Attach ball stud (D) to threaded fitting in bottom of camera. Reinsert ball stud (D) into socket (C). Rotate and angle camera to desired position. Tighten tension screw (B) securely.

Note: Cable(s) may be routed through cable access holes.



PEERLESS 7" SECURITY CAMERA MOUNT (CMR 410)

PARTS LIST

	QTY.	DESCRIPTION
A	1	housing
B	1	tension screw
C	1	socket
D	1	ball stud