

## LCT models

# Universal Articulating and Pivot Desktop Mounts

## For 15" to 24" (38-61 cm) LCD Monitors



It is quick and simple to position the monitor to the users ideal viewing point and maximize work area when it is mounted on one of these five desktop mount models. Each of the five models is ergonomically designed and features smooth motion, spring-loaded architecture for the easiest height, depth and tilt adjustment of the monitor, assisting with reduced eye and neck strain.



Screen size: 15"-24" (38-61 cm)



Max load: 17.5 lb (8 Kg)

### FEATURES

- **LCT-A1B1C/H**  
Two-link arm extends up to 30" (770 mm) from the base and provides internal cable management
- **LCT-A1B2C/H**  
One-link arm pivots 360 degrees and provides internal cable management
- **LCT-A1B3C/H**  
Pole mount with two-link arm extends up to 22" (559 mm), enables 14.4" (366 mm) of height adjustment and provides internal cable management
- **LCT-A1B5C/H**  
Pole mount with One-link arm extends 12.7" (325 mm) and provides 9.29" (236 mm) of height adjustment
- **LCT-A1B6C/H**  
Pole mount with two-link arm extends up to 21" (534 mm) from the base and 14.3" (365 mm) of height adjustment



LCT-A1B1C/H



LCT-A1B2C/H



LCT-A1B3C/H



LCT-A1B5C/H



LCT-A1B6C/H



**RoHS**  
2002/95/EC

## Model Numbers

<b>LCT-A1B1H:</b>	Two-link Articulating Arm/bolt hole	<b>LCT-A1B1C:</b>	Two-link Articulating Arm/desk clamp
<b>LCT-A1B2H:</b>	One-link Pivot Arm/bolt hole	<b>LCT-A1B2C:</b>	One-link Pivot Arm/desk clamp
<b>LCT-A1B3H:</b>	Two-link Articulating Pole/bolt hole	<b>LCT-A1B3C:</b>	Two-link Articulating Pole/desk clamp
<b>LCT-A1B5H:</b>	One-link Pivot Pole/bolt hole	<b>LCT-A1B5C:</b>	One-link Pivot Pole/desk clamp
<b>LCT-A1B6H:</b>	Two-link Articulating Pole/bolt hole	<b>LCT-A1B6C:</b>	Two-link Articulating Pole/desk clamp

## Product Specifications

	DIMENSIONS (W x H x D)	PRODUCT WEIGHT	LOAD CAPACITY	FINISH	AVAILABLE COLORS
<b>LCT-A1B1H</b>	9.61 - 30.3" x 6.34" x 17.2" (244 - 769 x 161 x 437 mm)	7.7 lb (3.5 Kg)	17.5 lb (8 Kg)	Aluminum	Silver
<b>LCT-A1B1C</b>	9.61 - 30.3" x 6.34" x 22.4" (244 - 769 x 161 x 571 mm)	11 lb (5 Kg)			
<b>LCT-A1B2H</b>	20.8" x 6.34" x 17.2" (530 x 161 x 437 mm)	5.7 lb (2.6 Kg)			
<b>LCT-A1B2C</b>	20.8" x 6.34" x 20.7" (530 x 161 x 571 mm)	9 lb (4.1 Kg)			
<b>LCT-A1B3H</b>	13.35 - 22.01" x 6.34" x 18.86" (339 - 559 x 161 x 479 mm)	5.7 lb (2.6 Kg)			
<b>LCT-A1B3C</b>	13.35 - 22.01" x 6.34" x 24.14" (339 - 559 x 161 x 613 mm)	9 lb (4.1 Kg)			
<b>LCT-A1B5H</b>	12.76" x 6.34" x 13.74" (324 x 161 x 349 mm)	5.3 lb (2.4 Kg)			
<b>LCT-A1B5C</b>	12.76" x 6.34" x 19.02" (324 x 161 x 483 mm)	8.6 lb (3.9 Kg)			
<b>LCT-A1B6H</b>	6.81-17.83" x 6.34" x 18.86" (173 - 453 x 161 x 479 mm)	5.5 lb (2.5 Kg)			
<b>LCT-A1B6C</b>	6.81 - 17.83" x 6.34" x 24.1"(173 - 453 x 161 x 613 mm)	8.8 lb (4 Kg)			

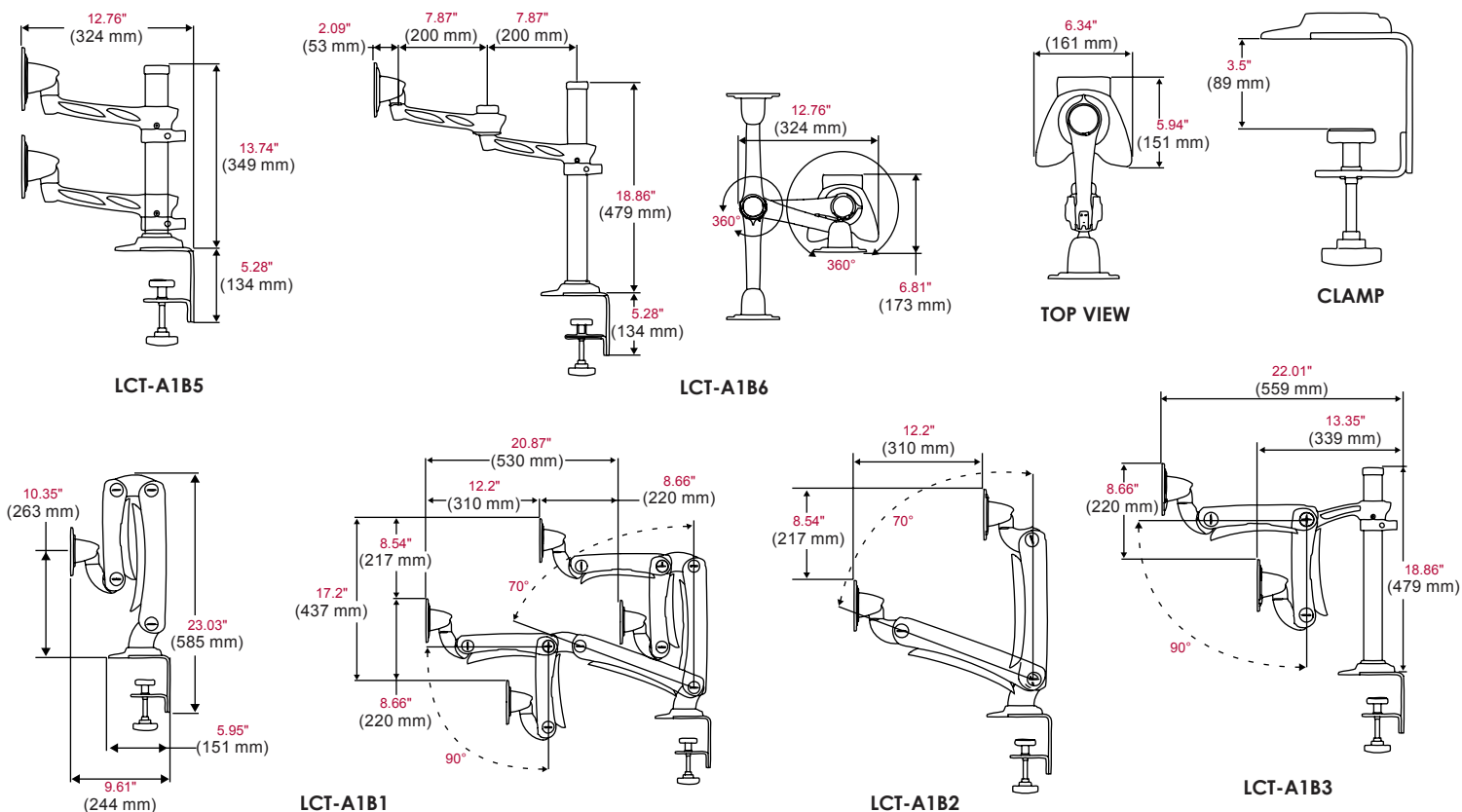
## Package Specifications

	PACKAGE SIZE (L x W x H)	PACKAGE SHIP WEIGHT	PACKAGE UPC CODE	PACKAGE CONTENTS	UNITS IN PACKAGE
<b>LCT-A1B1H</b>	26.77" x 11.41" x 6.5" (680 x 290 x 165 mm)	10.6 lb (4.8 Kg)	735029262183	Mount, VESA® 75/100 mm adapter plate, all necessary mounting and screen attachment hardware	1
<b>LCT-A1B1C</b>	26.77" x 11.41" x 6.5" (680 x 290 x 165 mm)	13.9 lb (6.3 Kg)	735029262176		
<b>LCT-A1B2H</b>	32.08" x 14.96" x 6.5" (815 x 380 x 165 mm)	10.1 lb (4.6 Kg)	735029262206		
<b>LCT-A1B2C</b>	32.08" x 14.96" x 6.5" (815 x 380 x 165 mm)	13.2 lb (6 Kg)	735029262190		
<b>LCT-A1B3H</b>	32.08" x 14.96" x 6.5" (815 x 380 x 165 mm)	10.1 lb (4.6 Kg)	735029262220		
<b>LCT-A1B3C</b>	32.08" x 14.96" x 6.5" (815 x 380 x 165 mm)	13.2 lb (6 Kg)	735029262213		
<b>LCT-A1B5H</b>	26.77" x 11.41" x 6.5" (680 x 290 x 165 mm)	8.1 lb (3.7 Kg)	735029262244		
<b>LCT-A1B5C</b>	26.77" x 11.41" x 6.5" (680 x 290 x 165 mm)	11.4 lb (5.2 Kg)	735029262237		
<b>LCT-A1B6H</b>	32.08" x 14.96" x 6.5" (815 x 380 x 165 mm)	9.2 lb (4.2 Kg)	735029262268		
<b>LCT-A1B6C</b>	32.08" x 14.96" x 6.5" (815 x 380 x 165 mm)	12.5 lb (5.7 Kg)	735029262251		

## Accessories

**ACC918:** Security Fasteners

All dimensions = inch (mm)



## ARCHITECTS SPECIFICATIONS

The Flat Panel Desktop Mount shall be a Peerless model \_\_\_\_\_ and shall be located where indicated on the plans. Assembly and installation shall be done according to instructions provided by the manufacturer.