

## MOD-FCSKIT300(B)

# Modular Series Floor-to-Ceiling Kit

## For 32" to 60" Flat Panel Displays

The Peerless-AV Modular Mounts Line features a full range of products that can fulfill multiple requirements from a limited number of SKUs. With the universality of the components, configure your own perfect custom flat-panel display or projector mounting solution for any application.

The Modular Mount Line was developed with the professional AV installer in mind. Designed around a 2" (50mm) diameter pole, the line is ideal for new projects as well as for upgrading existing installations.

The MOD-FCSKIT300 Floor-to-Ceiling Kit comes with all of the components required to mount a single 32-60" flat panel display between the floor and ceiling. As a part of the Peerless-AV™ Modular Series, it can be expanded with additional Modular accessories (sold separately) to accommodate additional displays, configurations to achieve the perfect custom mounting solution.



### FEATURES

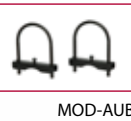
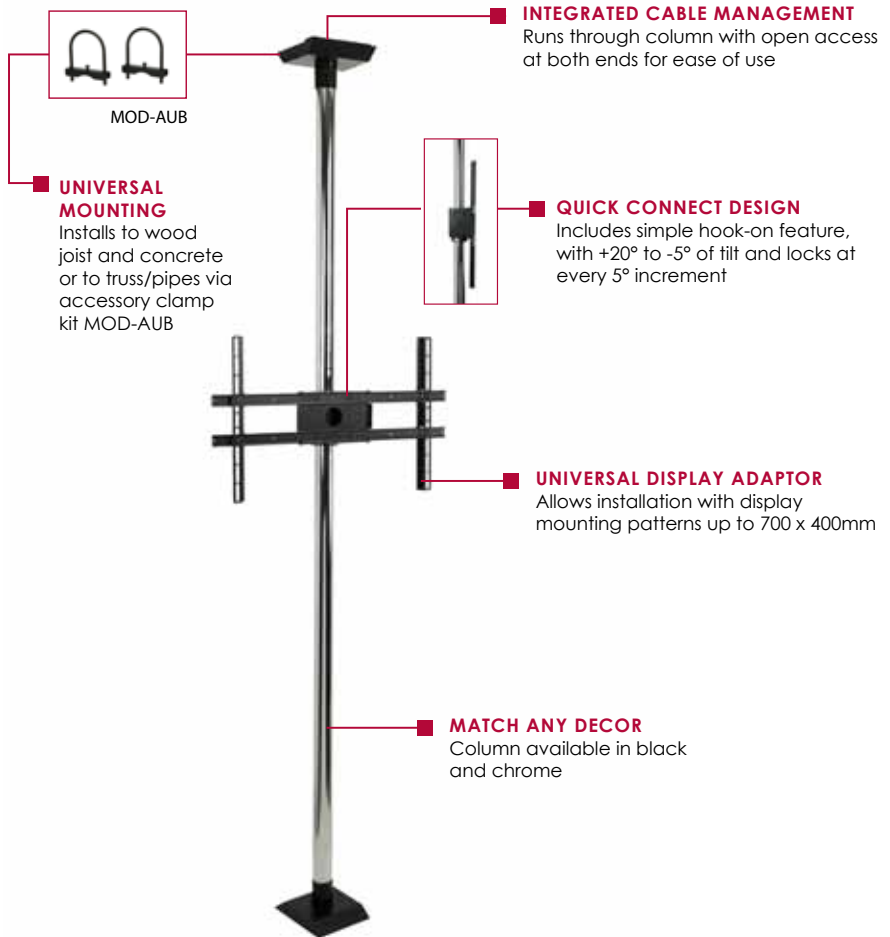
- Pre-assembled Kit includes:
  - Flat ceiling plates
  - 9'-8" (3m) chrome or black extension column
  - Single display flat panel mount
  - Display stacking clamp
  - Large universal adaptor
- Heavy duty flat plate mounts to wood or concrete ceiling and floor
- Easy installation of single display between floor and ceiling up to 9'-8" (3m) height
- Universal display adaptor for 32 to 60" displays with VESA® mounting patterns up to 700 x 400mm
- Versatile positioning of display at any point along the full height of the 2" (50mm) diameter column



Display size: 32" - 60"



Max load: 374.0lb (169.6kg)



MOD-AUB

■ **UNIVERSAL MOUNTING**  
Installs to wood joist and concrete or to truss/pipes via accessory clamp kit MOD-AUB

■ **INTEGRATED CABLE MANAGEMENT**  
Runs through column with open access at both ends for ease of use



■ **QUICK CONNECT DESIGN**  
Includes simple hook-on feature, with +20° to -5° of tilt and locks at every 5° increment

■ **UNIVERSAL DISPLAY ADAPTOR**  
Allows installation with display mounting patterns up to 700 x 400mm

■ **MATCH ANY DECOR**  
Column available in black and chrome



Tilt bracket



Accessory Cover for MOD-CPF Ceiling Plate



<b>MOD-FCSKIT300(-B)</b>	Modular Series Floor-to-Ceiling Kit for 32" to 60" Flat Panel Displays
--------------------------	--

Product Specifications

	DIMENSIONS (W x H x D)	PRODUCT WEIGHT	LOAD CAPACITY	FINISH	AVAILABLE COLORS
<b>MOD-FCSKIT300(-B)</b>	28.897" x 118.109" x 3.425" (734 x 3000 x 87mm)	26.3lb (11.9kg)	374.0lb (169.6kg)	Power coat	MOD-FCSKIT300: Black and Chrome MOD-FCSKIT300-B: Black

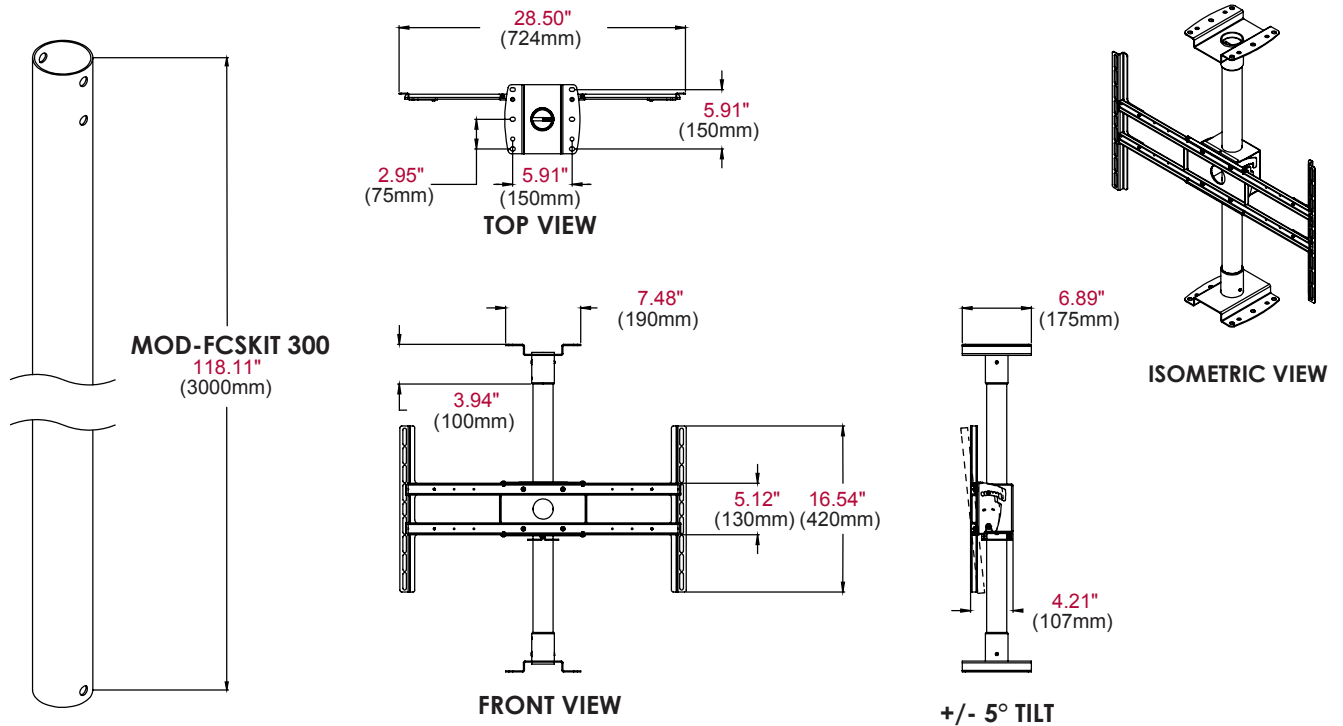
Package Specifications

	PACKAGE SIZE (W x H x D)	PACKAGE SHIP WEIGHT	PACKAGE UPC CODE	PACKAGE CONTENTS	UNITS IN PACKAGE
<b>MOD-FCSKIT300(-B)</b>	BOX1: 35.380" x 4.000" x 2.000" (16 x 1 x 0.9mm) BOX2: 120.000" x 2.500" (54 x 1mm) BOX3: 10.250" x 10.250" x 8.250" (4 x 4 x 3mm)	BOX1: 2.0lb (0.9kg) BOX2: 33.8lb (10.7kg) BOX3: 4.0lb (1.8kg)	MOD-FCSKIT300: 735029282532 MOD-FCSKIT300-B: 735029290162	- 2 each MOD-CPF heavy duty flat ceiling plate - MOD-P300 9' 8" (3m) extension pole - MOD-ASC display stacking clamp - MOD-FPMS single screen mount - MOD-UNL large universal adaptor	1

Accessories

<b>MOD-ACF(-W):</b> Accessory Cover for MOD-CPF Ceiling Plate	<b>MOD-CPC(-W):</b> Ceiling Plate, Cathedral	<b>MOD-P150(-B):</b> 50mm Extension Pole - 59" (1.5m)
<b>MOD-ADF:</b> Accessory Drill Fixture for 50mm Pole	<b>MOD-CPF:</b> Square Ceiling Plate, Flat (7.4" x 6.8")	<b>MOD-P200(-B):</b> 50mm Extension Pole - 78" (2.0m)
<b>MOD-APC:</b> Accessory Pole Coupler	<b>MOD-CPI:</b> I-Beam Ceiling Plate, Flat	<b>MOD-P300(-B):</b> 50mm Extension Pole - 118" (3.0m)
<b>MOD-ASC:</b> Accessory Screen-Stacking Clamp	<b>MOD-FPMD:</b> Flat Panel Mount, Dual Back-To-Back	<b>MOD-UNL:</b> Universal Screen Adaptor, Large
<b>MOD-ATD-W:</b> Accessory Trim Disc	<b>MOD-FPMS(-W):</b> Flat Panel Mount, Single	<b>MOD-UNM:</b> Universal Screen Adaptor, Medium
<b>MOD-AUB:</b> Accessory U-Bolt Adaptor	<b>MOD-P100(-B):</b> 50mm Extension Pole - 39" (1.0m)	

All dimensions = inch (mm)



ARCHITECTS SPECIFICATIONS

The Modular Series Floor-to-Ceiling Kit shall be a Peerless-AV model MOD-FCSKIT300(-B) and shall be located where indicated on the plans. Assembly and installation shall be done according to instructions provided by the manufacturer.