

# Flat Panel

## In-Wall Mounts

### In-Wall Box

For up to 40" LCD Screens



- Compatible with small and medium pivoting and articulating arms
- Installs between 16" wood stud centers
- Stud-locating tabs adjust 1/4" left or right to accommodate stud spacing
- Removable outlet receptacle and cable management access plates make installation easy
- Three height adjustment points in box set screen in desired vertical position
- Can be inverted to position screen to the right or the left
- TV mount required



#### MODELS

##### UNIVERSAL MODELS:

Standard Fasteners

**IB40**

High gloss black

**IB40-S**

High gloss silver

**IB40-W**

White

#### SPECIFICATIONS

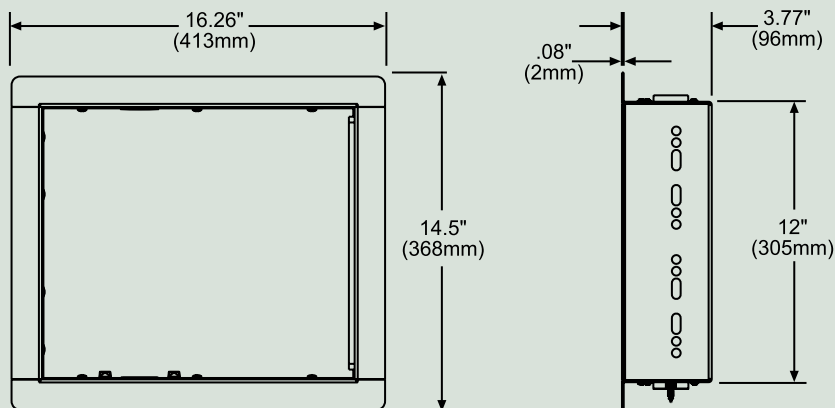
**DIMENSIONS:** (W x H x D)  
16.26" x 14.5" x 3.77"  
(41.3 x 36.8 x 9.6 cm)

**MAX LOAD:** 80 lb (36.28 kg)

**SHIP WEIGHT:** 14.23 lb (6.45 kg)

**MOUNTING**

**SURFACES:** Wood stud



To verify mount compatibility with any LCD, plasma, or projector model use MountFinder™ at [www.peerlessmounts.com](http://www.peerlessmounts.com) 800.865.2112