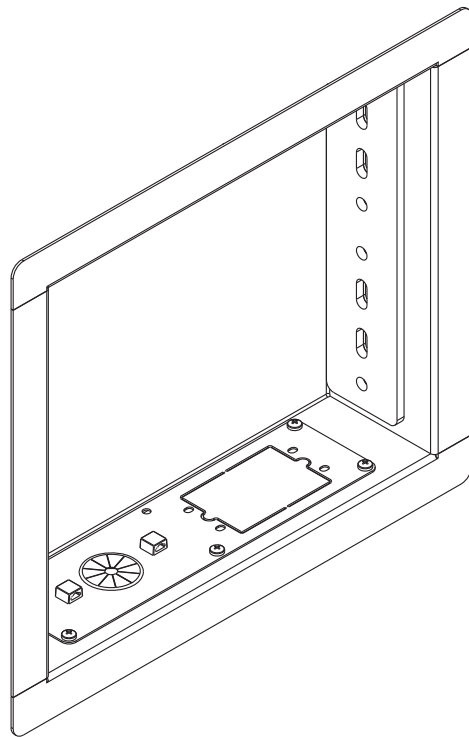


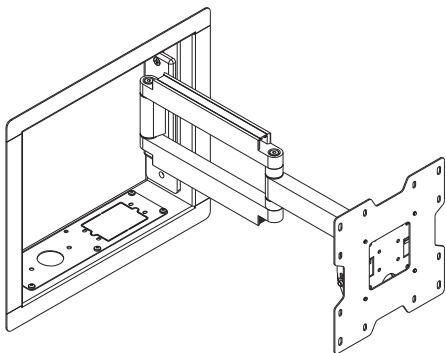
# peerless®

## Installation and Assembly: In-wall Mount for up to 40" Flat Panel Screens

**Models: IB40, IB40-S, IB40-W**

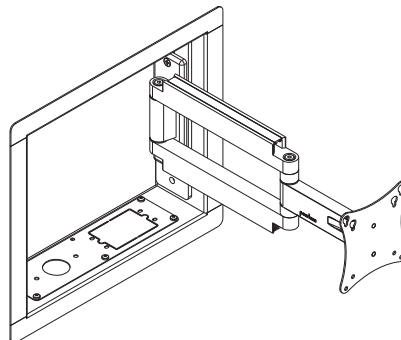


### IN-WALL MOUNT USED WITH ARTICULATING ARM MOUNTS (NOT INCLUDED)



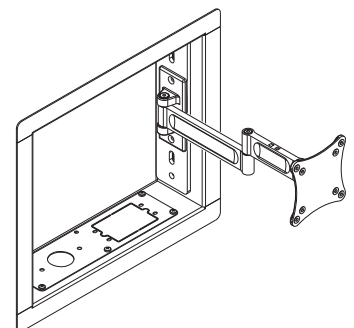
**MODELS: SA740P, SA740P-S**

**MAX LOAD CAPACITY:  
80 LB (36.3 KG)**



**MODELS: SA730P, SA730P-S**

**MAX LOAD CAPACITY:  
25 LB (11.3 KG)**



**MODEL: LCS-KLA**

**MAX LOAD CAPACITY:  
25 LB (11.3 KG)**

**Note:** Read entire instruction sheet before you start installation and assembly.

## ⚠ WARNING

- Do not begin to install your Peerless product until you have read and understood the instructions and warnings contained in this Installation Sheet. If you have any questions regarding any of the instructions or warnings, please call Peerless customer care at 1-800-865-2112.
- This product should only be installed by someone of good mechanical aptitude, has experience with basic building construction, and fully understands these instructions.
- Make sure that the supporting surface will safely support the combined load of the equipment and all attached hardware and components.
- Never exceed the Maximum Load Capacity.
- If mounting to wood wall studs, make sure that mounting screws are anchored into the center of the studs. Use of an "edge to edge" stud finder is highly recommended.
- Always use an assistant or mechanical lifting equipment to safely lift and position equipment.
- Tighten screws firmly, but do not overtighten. Overtightening can damage the items, greatly reducing their holding power.
- This product was designed and intended to be mounted to the following supporting surfaces checked below with the hardware included in this product as specified in the installation sheet. To mount this product to an alternative supporting surface, contact Peerless customer care at 1 800 865-2112.
- This product was designed to be installed on the following wall construction only;

### WALL CONSTRUCTION

### ADDITIONAL HARDWARE REQUIRED

<input checked="" type="checkbox"/> Wood Stud	None
<input type="checkbox"/> Wood Beam	Contact Customer Service
<input type="checkbox"/> Solid Concrete	Contact Customer Service
<input type="checkbox"/> Cinder Block	Contact Customer Service
<input type="checkbox"/> Metal Stud	Contact Customer Service
<input type="checkbox"/> Brick	Contact Customer Service
<input type="checkbox"/> Other or unsure?	Contact Customer Service

## Tools Needed for Assembly

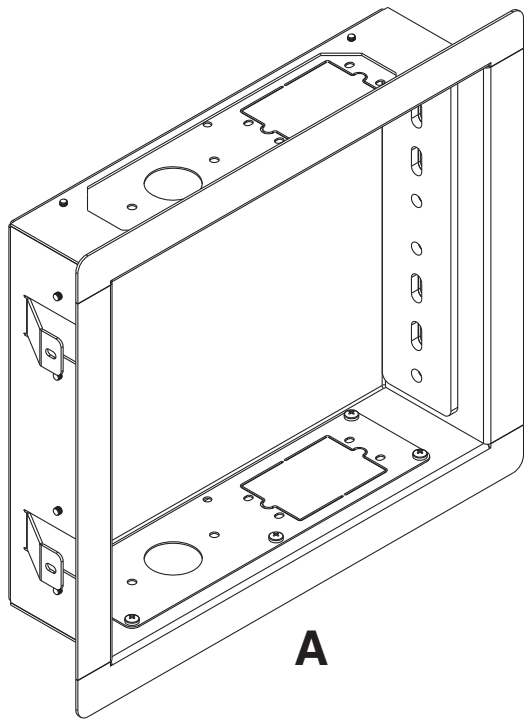
- stud finder ("edge to edge" stud finder is recommended)
- phillips screwdriver
- drill
- 5/32" and 1/8" bit for wood stud wall
- level

## Table of Contents

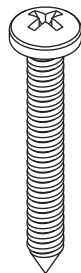
Parts List .....	3
Installation to Wood Stud Wall .....	4
Installing Articulating Arm to In-wall Box .....	5
Attaching Screen .....	5
Cable Management .....	6

Before you begin, make sure all parts shown are included with your product.  
 Parts may appear slightly different than illustrated.

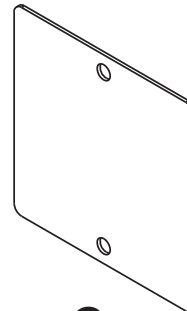
<b>Parts List</b>		<b>IB40</b>	<b>IB40-S</b>	<b>IB40-W</b>
<b>Description</b>	<b>Qty.</b>	<b>Part #</b>	<b>Part #</b>	<b>Part #</b>
<b>A</b> in-wall box	1	095-P1536	095-C4536	095-2536
<b>B</b> #10 x 1.5" wood screw	2	500-2002	500-2002	500-2002
<b>C</b> mounting cover plate	2	095-P1533	095-C4533	095-2533
<b>D</b> ribbed rivet	4	590-1296	590-1296	590-1296
<b>E</b> cable bushing	2	590-1295	590-1295	590-1295
<b>F</b> cable management clips	4	590-1166	590-1166	590-1166
<b>G</b> plastic finishing cap	2	590-1123	590-1123	590-1123
<b>H</b> cable tie	4	590-1168	590-1168	590-1168



**A**



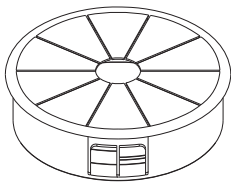
**B**



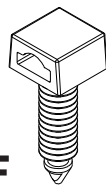
**C**



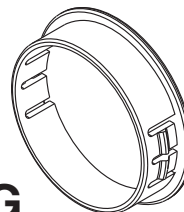
**D**



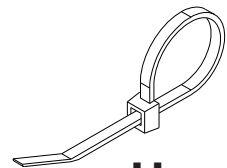
**E**



**F**



**G**



**H**

# Installation to Wood Stud Wall

## ⚠ WARNING

- Installer must verify that the supporting surface will safely support the combined load of the equipment and all attached hardware and components.
- Tighten wood screws so that wall plate is firmly attached, but do not overtighten. Overtightening can damage the screws, greatly reducing their holding power.
- Never tighten in excess of 80 in. • lb (9 N.M.).
- Make sure that mounting screws are anchored into the center of the stud. The use of an "edge to edge" stud finder is highly recommended.
- Hardware provided is for attachment of mount through standard thickness drywall or plaster into wood studs. Installers are responsible to provide hardware for other types of mounting situations.

**1** In-wall box (A) can be installed between two studs 16" off center. Use a stud finder to locate the edges of the stud. Use of an edge-to-edge stud finder is highly recommended. Based on its edges, draw two vertical lines down the inside edges of stud's. Mark desired center of in-wall box. Draw a horizontal line above desired center of in-wall box 6-1/8" (150 mm). Draw a second horizontal line 12-1/4" (311 mm) below this line to outline wall opening between inside edges of studs. Remove drywall inside cut outline.

**Note:** In-wall box can be flipped for left of right side mount orientation as shown in figure 1.2.

Insert in-wall box (A) into cut-out until in-wall box flange is flush with drywall.

Level in-wall box, and drill two mounting holes 1/8" (3 mm) dia. holes 1-1/2" (38 mm) deep using mounting holes on tabs of in-wall box. Make sure in-wall box is level, secure it using two #10 x 1-1/2" wood screws (B) as shown in figure 1.3.

Attach two mounting cover plates (C) to in-wall box (A) using four ribbed rivets (D) as shown in figure 1.4.

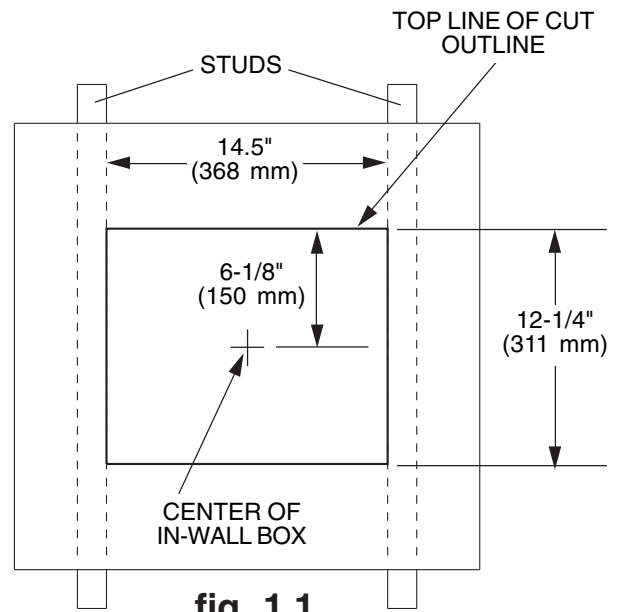


fig. 1.1

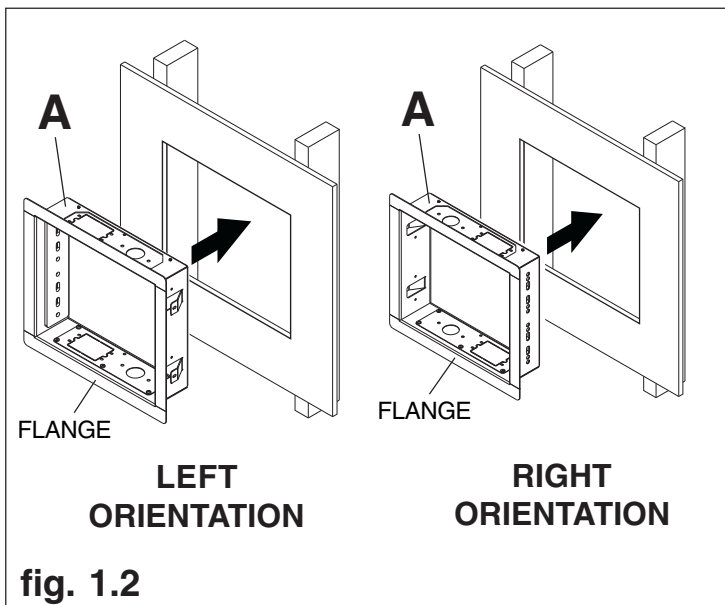


fig. 1.2

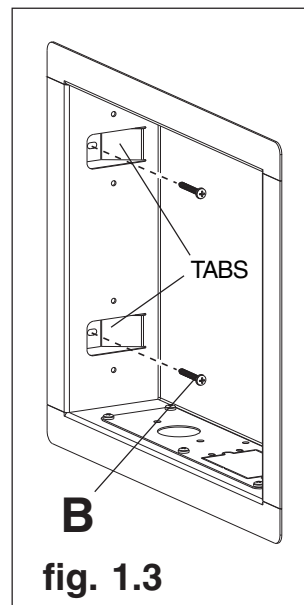


fig. 1.3

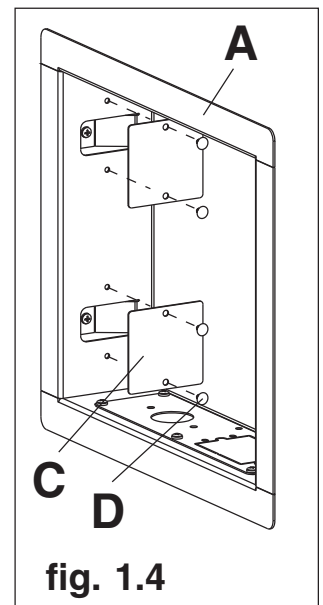


fig. 1.4

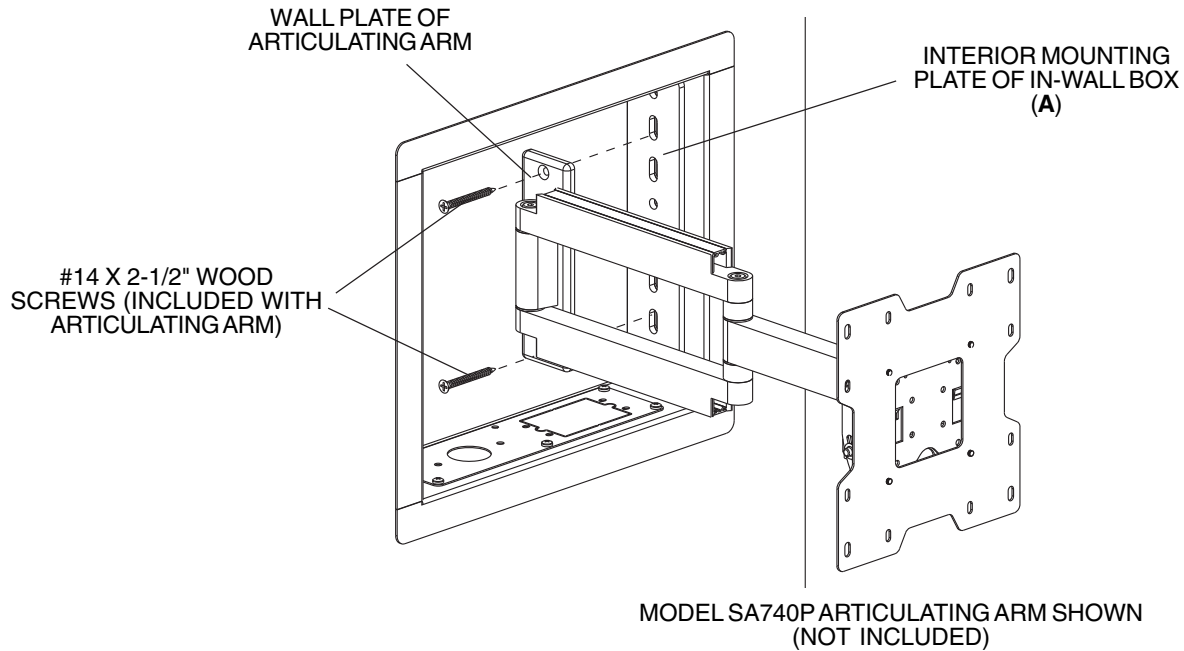
## Installing Articulating Arm to In-wall Box

In-wall box can support Peerless articulating arm models SA740P, SA740P-S, SA730P, SA730P-S and LCS-KLA (not included).

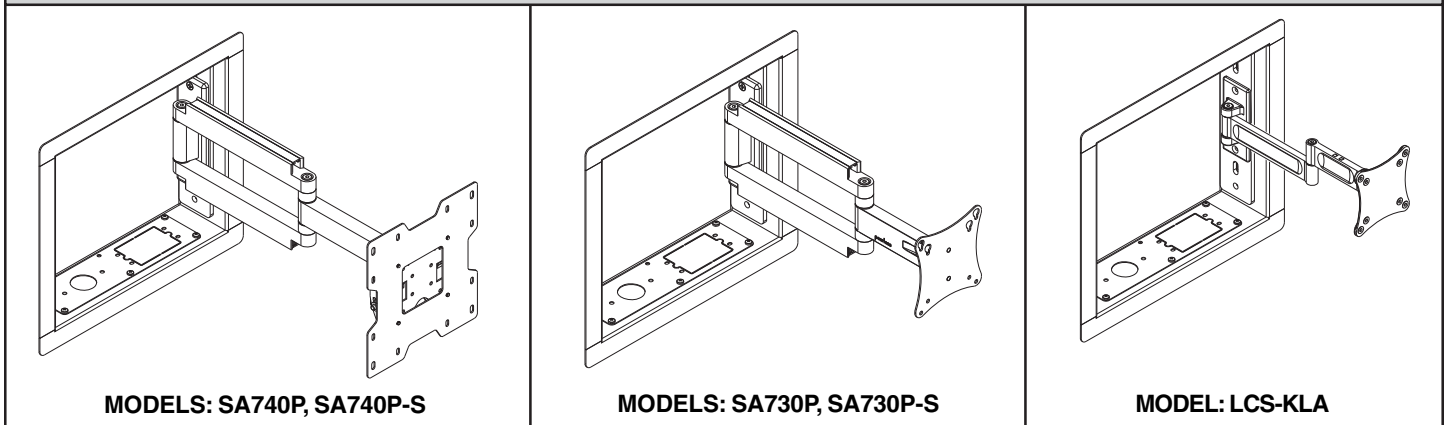
- 2 Choose hole pattern on interior mounting plate of in-wall box (A) which align with hole pattern on the wall plate of articulating arm. Mounting hole alignments may be selected for different height installations.

**Note:** Consider position of screen center or routing of cables before securing arm to in-wall box.

Drill two 5/32" (4 mm) holes 2.5" (65 mm) deep using interior mounting plate holes of in-wall box (A) as a guide. Attach arm to in-wall box using two #14 x 2-1/2" wood screws (included with articulating arm).



### ARTICULATING ARM MODELS (NOT INCLUDED)



## Installing Screen to Arm

- 3 Refer to instruction included with articulating arm (sold separately) for installation of screen.

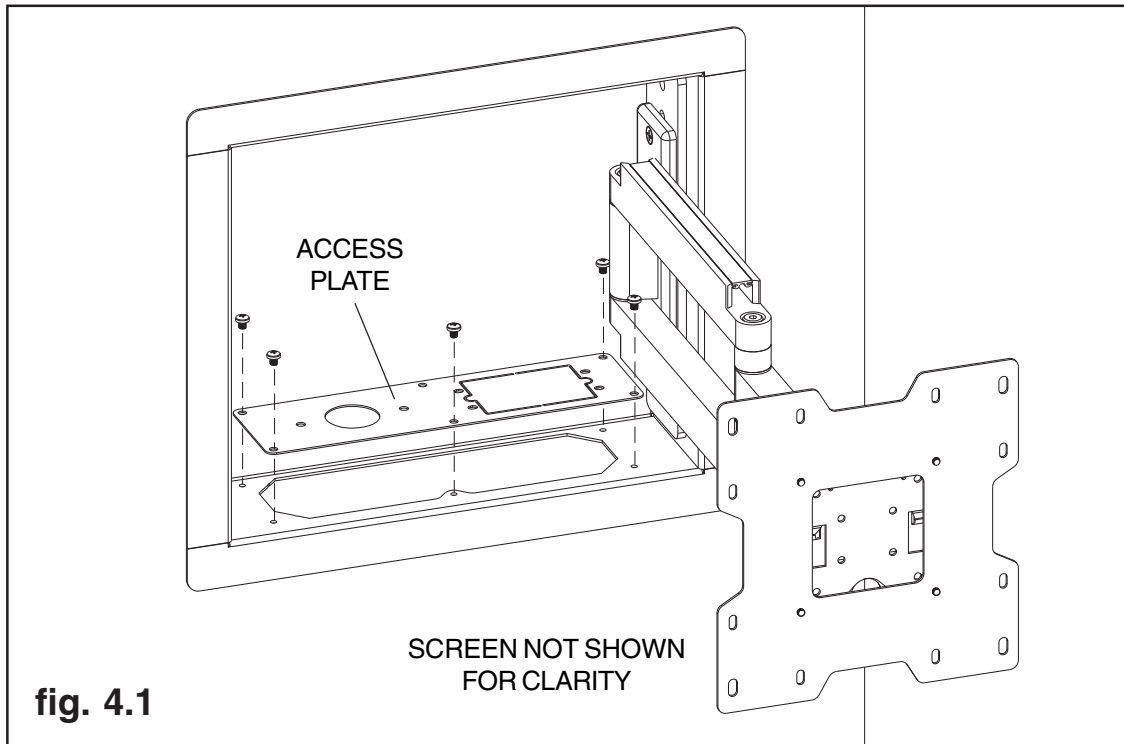
### ⚠ CAUTION

- Do not exceed the Maximum Load Capacity indicated on articulating arm instruction.

## Cable Management

- 4 For optional installation of electrical gang box, access plates located on the bottom or top of in-wall box can be temporarily removed to install electrical gang box as shown in figure 4.1.

MODEL SA740P ARTICULATING ARM SHOWN (NOT INCLUDED)

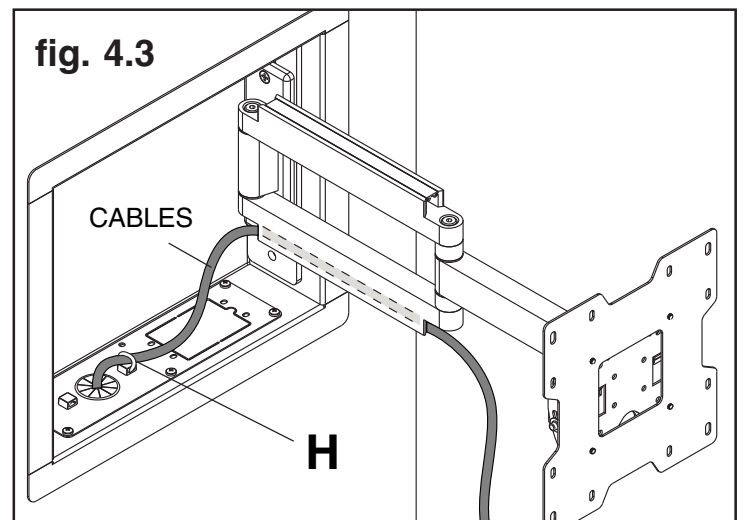
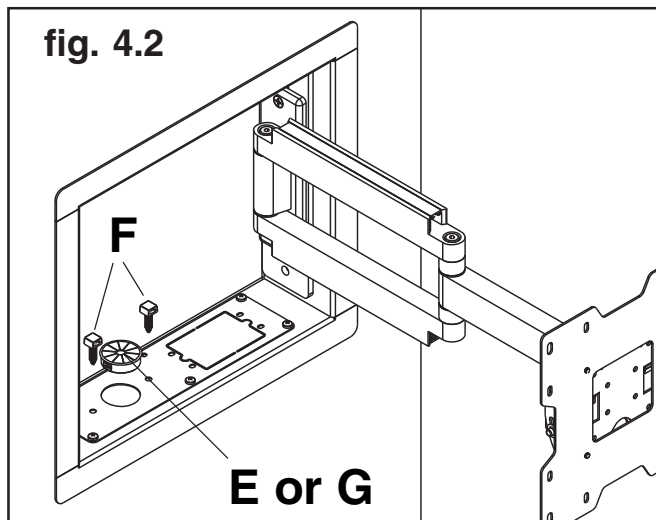


- 4-1 Insert up to four cable management clips (F) into the desired positions in the in-wall box as shown in figure 4.2 for routing cables. Refer to instruction included with articulating arm for cable management with arm.

Insert cable bushing (E) into top or bottom hole of in-wall box for routing cables through in-wall box. Plastic finishing caps (G) can be used in holes where cables are not being routed.

**NOTE:** Make sure cables have enough slack to allow full movement of the arm.

Use cable ties (H) to secure cables to cable management clips as shown in figure 4.3.



SCREEN NOT SHOWN FOR CLARITY